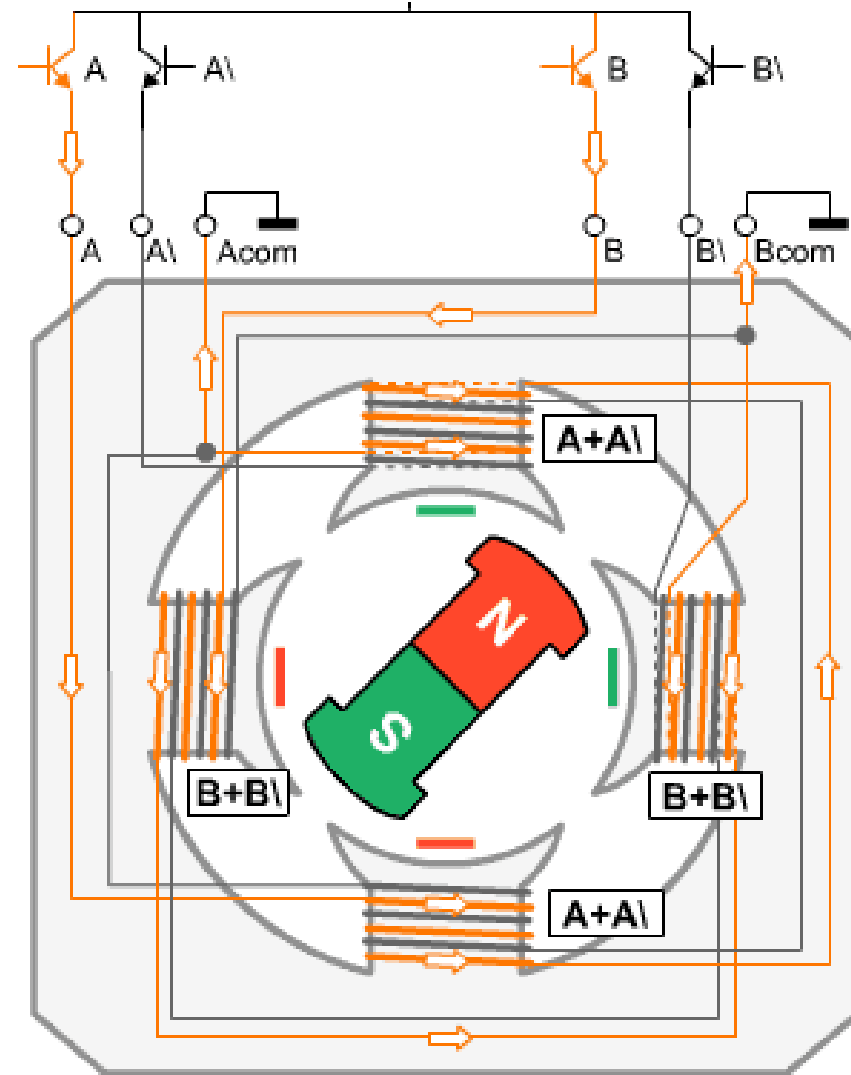
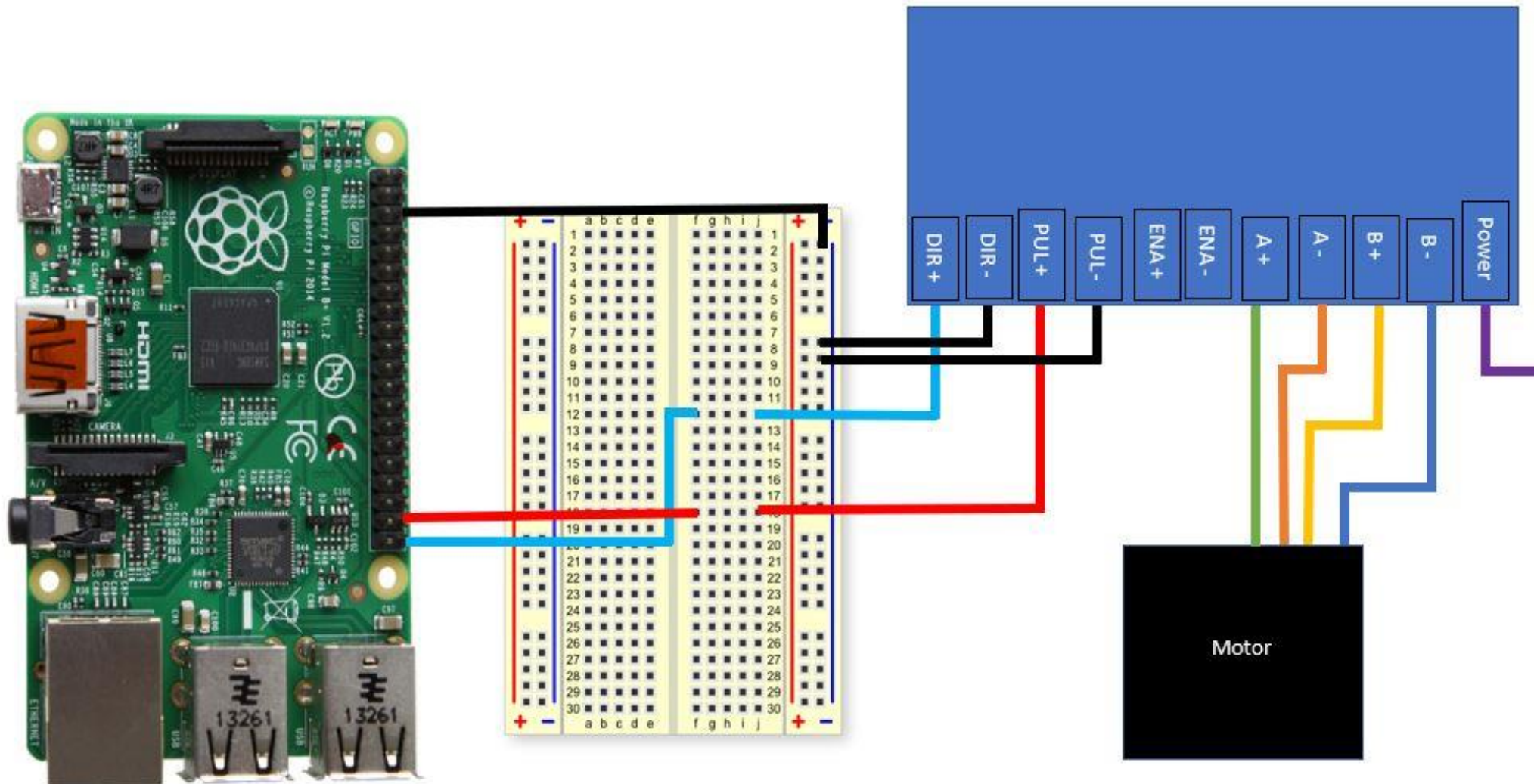


# Stepper Motor Progress and Current Focus

# Stepper Motor Research



# Current Wiring Setup



# Arduino Code

Stepper\_Motor\_Code\_2

```
int sensorValue = 0;

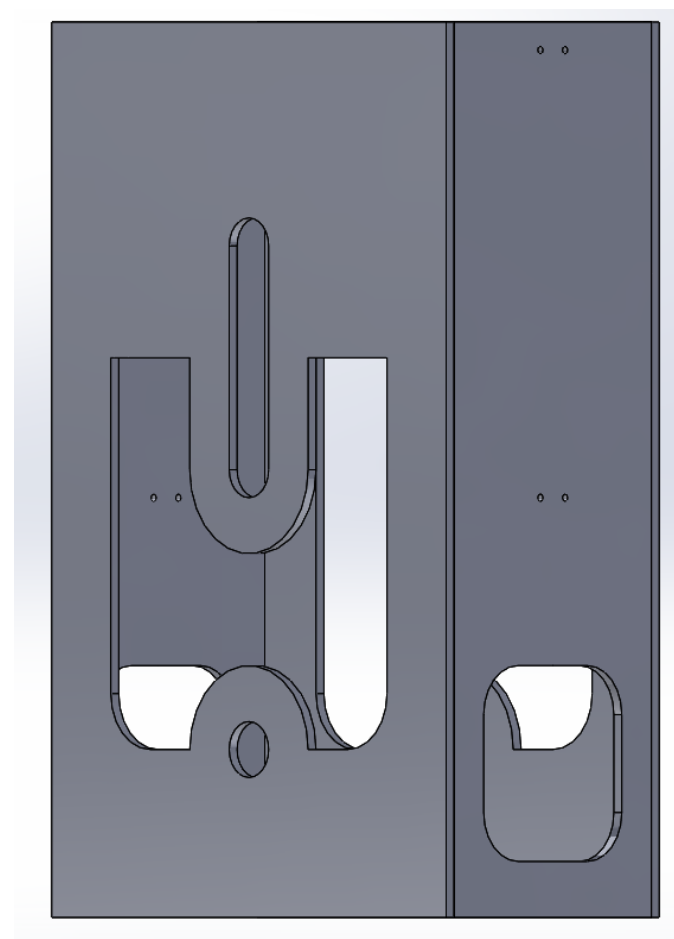
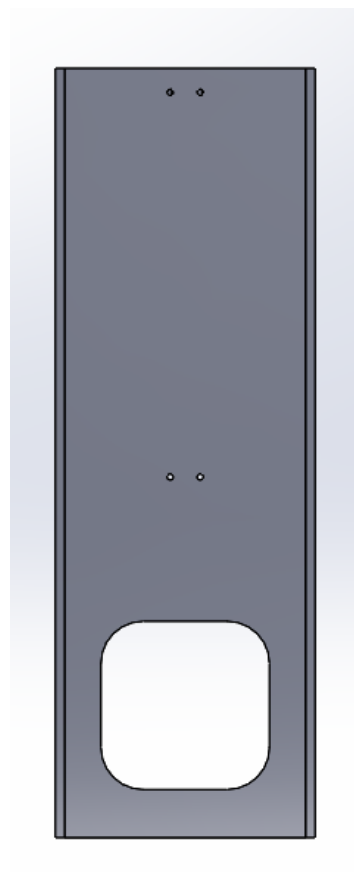
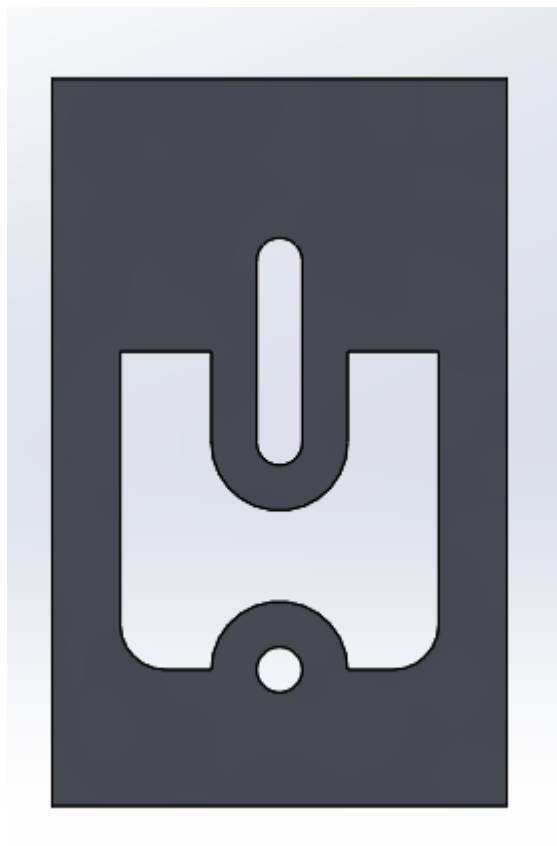
void setup() {
  // put your setup code here, to run once:
  pinMode(8, OUTPUT); // Direction pin
  pinMode(9, OUTPUT); // step pin
  digitalWrite(8, LOW);
  digitalWrite(9, LOW);
}

void loop() {
  // put your main code here, to run repeatedly:
  digitalWrite(9, HIGH);
  delayMicroseconds(500);
  digitalWrite(9, LOW);
  delayMicroseconds(500);
}
```

# Stepper Motor Video



# Box Adjustments



# What's Next?



Linear Actuator Stepper Motor



Angle Cut Stepper Motor



Power Source



Modeling



Moment Problem



Mounting Heated Wire