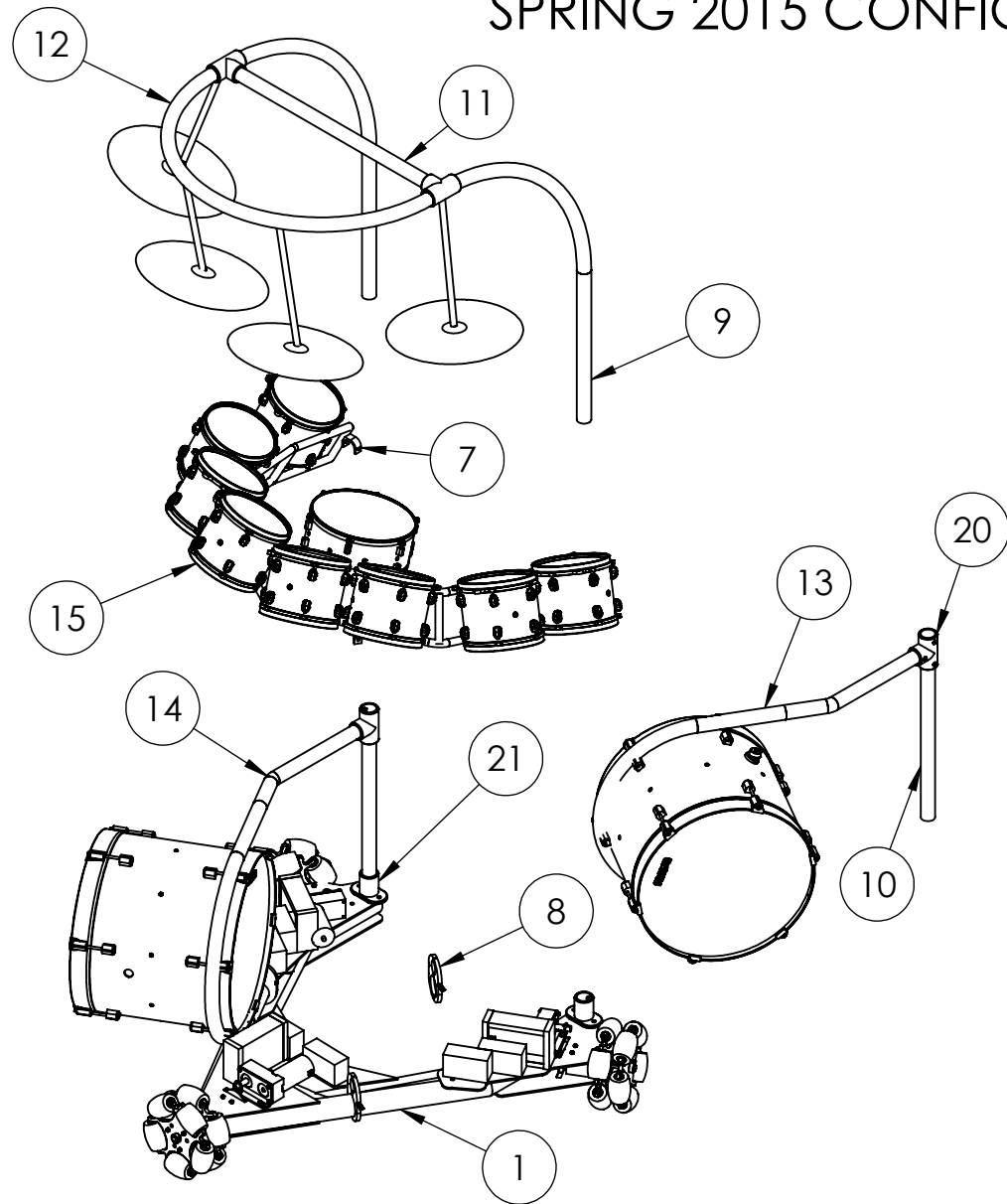


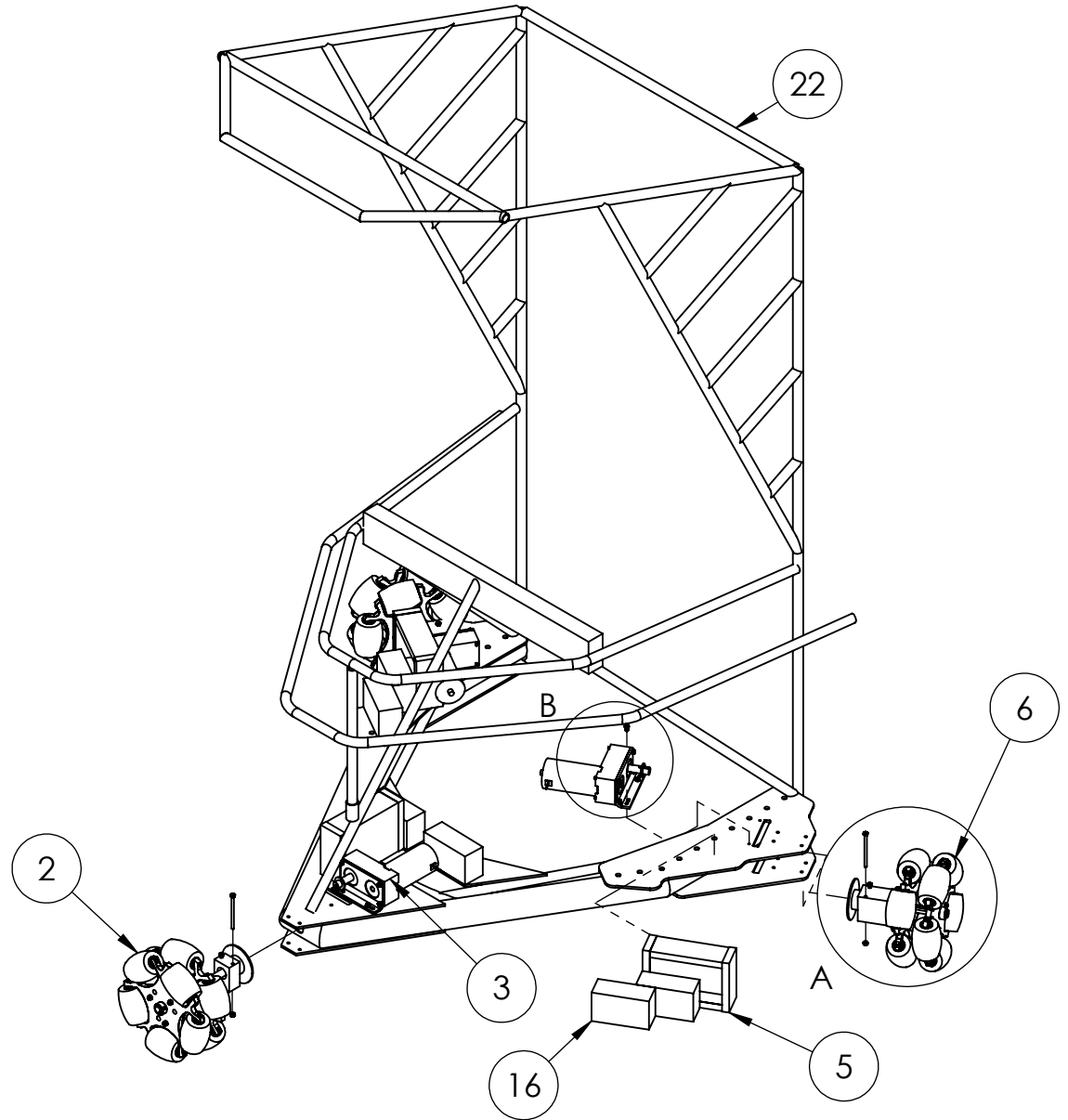
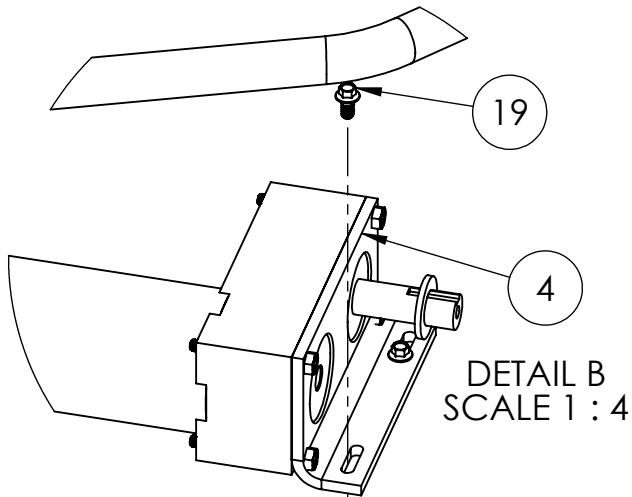
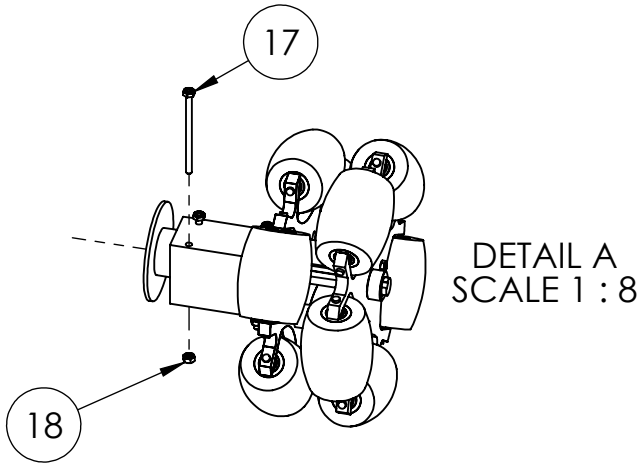
# SPRING 2015 CONFIG -2

ITEM NO.	SW-File Name(File Name)	DESCRIPTION	-1/QTY.	-2/QTY.
1	BEESTEN-01_00	WELDED FRAME ASSEMBLY	-	1
2	BEESTEN-02_00	FRONT WHEEL ASSY	1	1
3	BEESTEN-04_00	MOTOR ASSY	2	2
4	BEESTEN-04_00	MOTOR ASSY	1	1
5	BEESTEN-05_00	ELECTRICAL BOX	3	3
6	BEESTEN-06_00	BACK WHEEL MOUNT ASSY	2	2
7	BEESTEN-08_04	DRUM MOUNT CLAMP	-	4
8	BEESTEN-09_03	TUBE CLAMP	-	4
9	BEESTEN-11_01	CANOPY SIDE BEND	-	2
10	BEESTEN-11_02	BACK TUBE	-	2
11	BEESTEN-11_03	CANOPY TOP TUBE	-	1
12	BEESTEN-11_04	CANOPY TOP BEND	-	1
13	BEESTEN-11_05	LEFT SIDE BEND	-	1
14	BEESTEN-11_05	RIGHT SIDE BEND	-	1
15	BEESTEN-12_00	DRUM MOUNT ASSY	-	1
16	0-CTN12-8F	12V BATTERY	6	6
17	MMC-92620A555	1/4" LONG BOLT	12	12
18	MMC-94804A029	1/4"-20 NUT	12	12
19	MMC-97972A111	MOTOR SCREW	6	6
20	TEE ASSEMBLY	TEE-FITTING	-	4
21	BOTTOM FITTING ASSY	FRAME FITTING	-	2
22	BEESTEN-01_00	WELDED FRAME ASSEMBLY	1	-



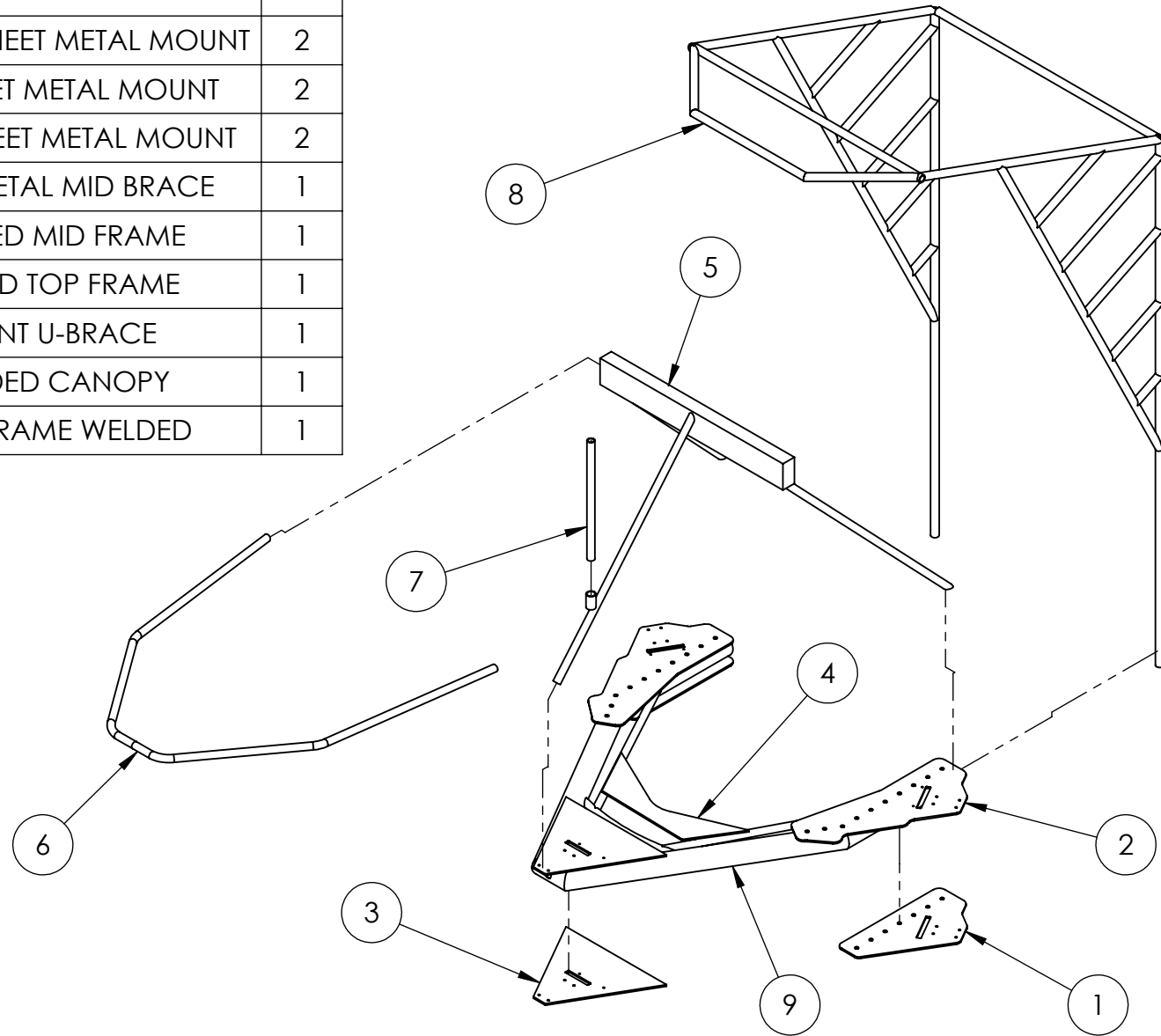
<b>PROPRIETARY AND CONFIDENTIAL</b> THE INFORMATION CONTAINED IN THIS DRAWING IS THE SOLE PROPERTY OF UNIVERSITY OF IDAHO, ME DEPARTMENT. ANY REPRODUCTION IN PART OR AS A WHOLE WITHOUT THE WRITTEN PERMISSION OF UNIVERSITY OF IDAHO, ME DEPARTMENT IS PROHIBITED.		DIMENSIONS ARE IN INCHES THIRD ANGLE PROJECTION		New Beest Dimensions	
DEFAULT TOLERANCES: LINEAR: X.±.25 X.X±.1 X.XX±.01 X.XXX±.002		DESCRIPTION: BANDBEESTEN CHECKED BY: XXXXXXXXXX DRAWN BY: FILE NAME: BEESTEN-00_00.SLDPRT		MATERIAL: DATE: XX/XX/XX DATE: 5/7/2015	
UNIVERSITY OF IDAHO ME DEPARTMENT		SCALE: 1:25		PART #: QTY: SHEET: 1 OF 2	

# FALL 2014 CONFIG -1

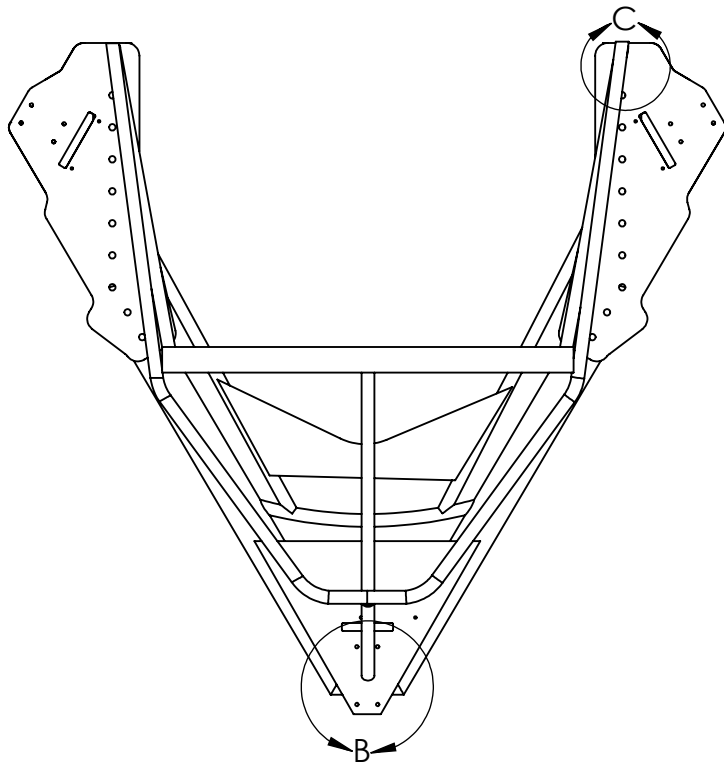


<b>PROPRIETARY AND CONFIDENTIAL</b> THE INFORMATION CONTAINED IN THIS DRAWING IS THE SOLE PROPERTY OF UNIVERSITY OF IDAHO, ME DEPARTMENT. ANY REPRODUCTION IN PART OR AS A WHOLE WITHOUT THE WRITTEN PERMISSION OF UNIVERSITY OF IDAHO, ME DEPARTMENT IS PROHIBITED.		DIMENSIONS ARE IN INCHES THIRD ANGLE PROJECTION		<b>BANDBEESTEN FULL ASSEMBLY</b>	
DEFAULT TOLERANCES:		DESCRIPTION: BANDBEESTEN		UNIVERSITY OF IDAHO ME DEPARTMENT	
LINEAR:	ANGULAR:	CHECKED BY: XXXXXXXXXX	DATE: XX/XX/XX	PART #:	QTY:
X. ± .25	X. ± 2	DRAWN BY: CHRISTIAN O'BRYAN	DATE: 5/7/2015	SCALE: 1:18	SHEET: 2 OF 2
X.X ± .1	X.X ± 1	FILE NAME: BEESTEN-00_00.SLDPRT			
X.XX ± .01	X.XX ± 0.30'				
X.XXX ± .002					

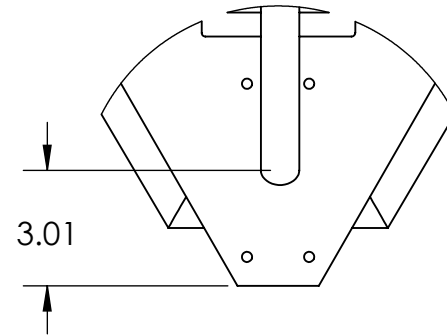
ITEM NO.	PART NUMBER	DESCRIPTION	QTY.
1	BEESTEN-01_07	BOTTOM SHEET METAL MOUNT	2
2	BEESTEN-01_06	TOP SHEET METAL MOUNT	2
3	BEESTEN-01_05	FRONT SHEET METAL MOUNT	2
4	BEESTEN-01_08	SHEET METAL MID BRACE	1
5	BEESTEN-01_04	WELDED MID FRAME	1
6	BEESTEN-01_03	U-BEND TOP FRAME	1
7	BEESTEN-01_09	FRONT U-BRACE	1
8	BEESTEN-01_02	WELDED CANOPY	1
9	BEESTEN-01_01	BASE FRAME WELDED	1



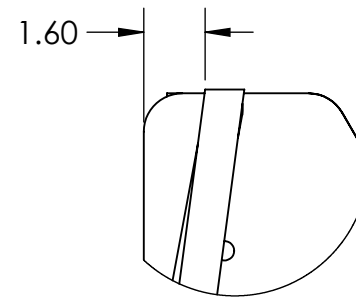
<b>PROPRIETARY AND CONFIDENTIAL</b> THE INFORMATION CONTAINED IN THIS DRAWING IS THE SOLE PROPERTY OF UNIVERSITY OF IDAHO, ME DEPARTMENT. ANY REPRODUCTION IN PART OR AS A WHOLE WITHOUT THE WRITTEN PERMISSION OF UNIVERSITY OF IDAHO, ME DEPARTMENT IS PROHIBITED.		DIMENSIONS ARE IN INCHES THIRD ANGLE PROJECTION		BEEST	
DEFAULT TOLERANCES:		DESCRIPTION: WELDED FRAME ASSEMBLY		UNIVERSITY OF IDAHO ME DEPARTMENT	
LINEAR:	ANGULAR:	CHECKED BY: XXXXXXXXXX	DATE: XX/XX/XX	PART #:	QTY:
X. ± .25	X. ± 2	DRAWN BY:	DATE: 12/11/2014	SCALE: 1:21	SHEET: 1 OF 3
X.X ± .1	X.X ± 1	FILE NAME: BEESTEN-01_00.SLDPRT			
X.XX ± .01	X.XX ± 0.30				
X.XXX ± .002					



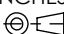
TOP - CANOPY HIDDEN

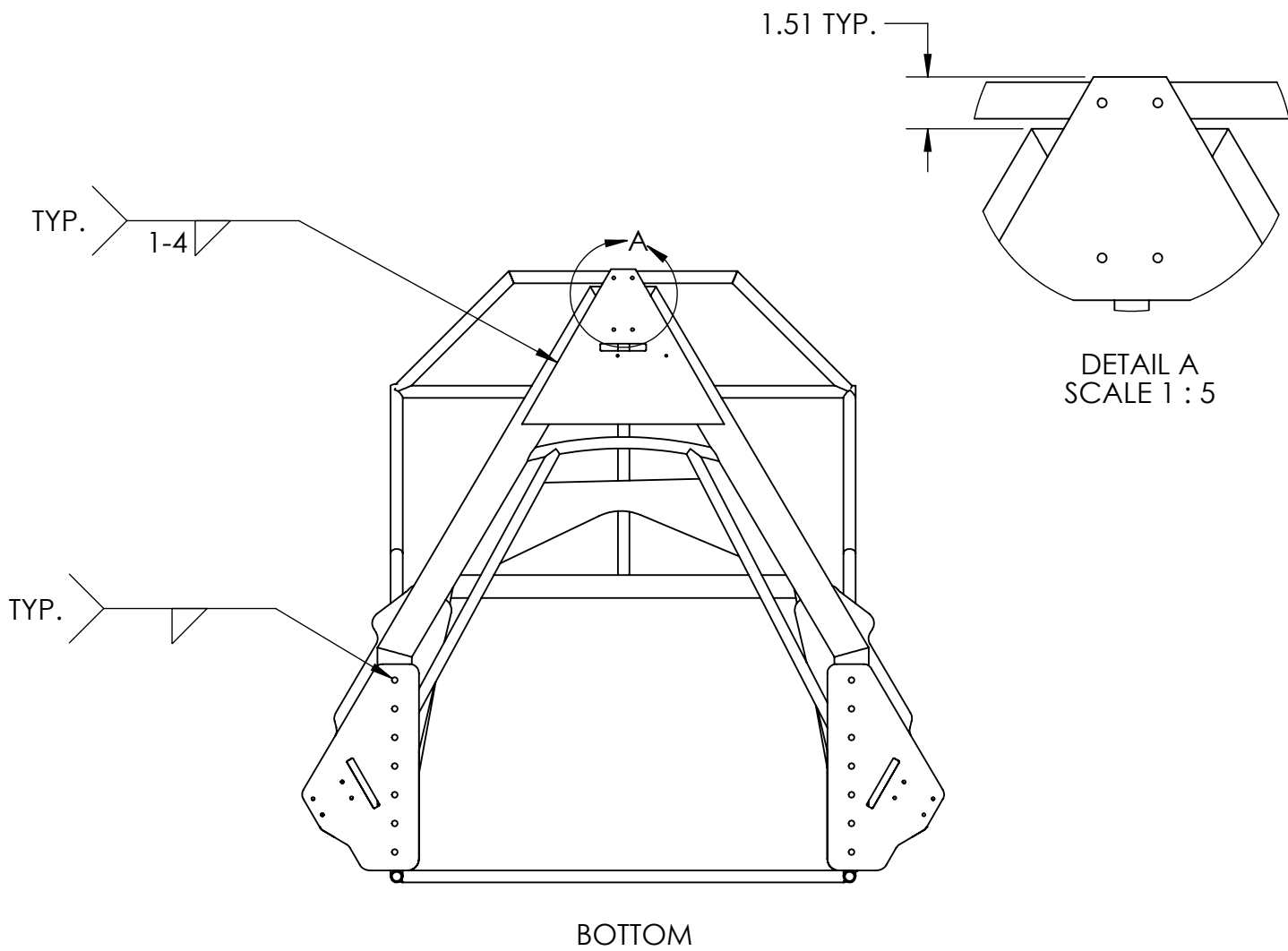


DETAIL B  
SCALE 1 : 5



DETAIL C  
SCALE 1 : 5

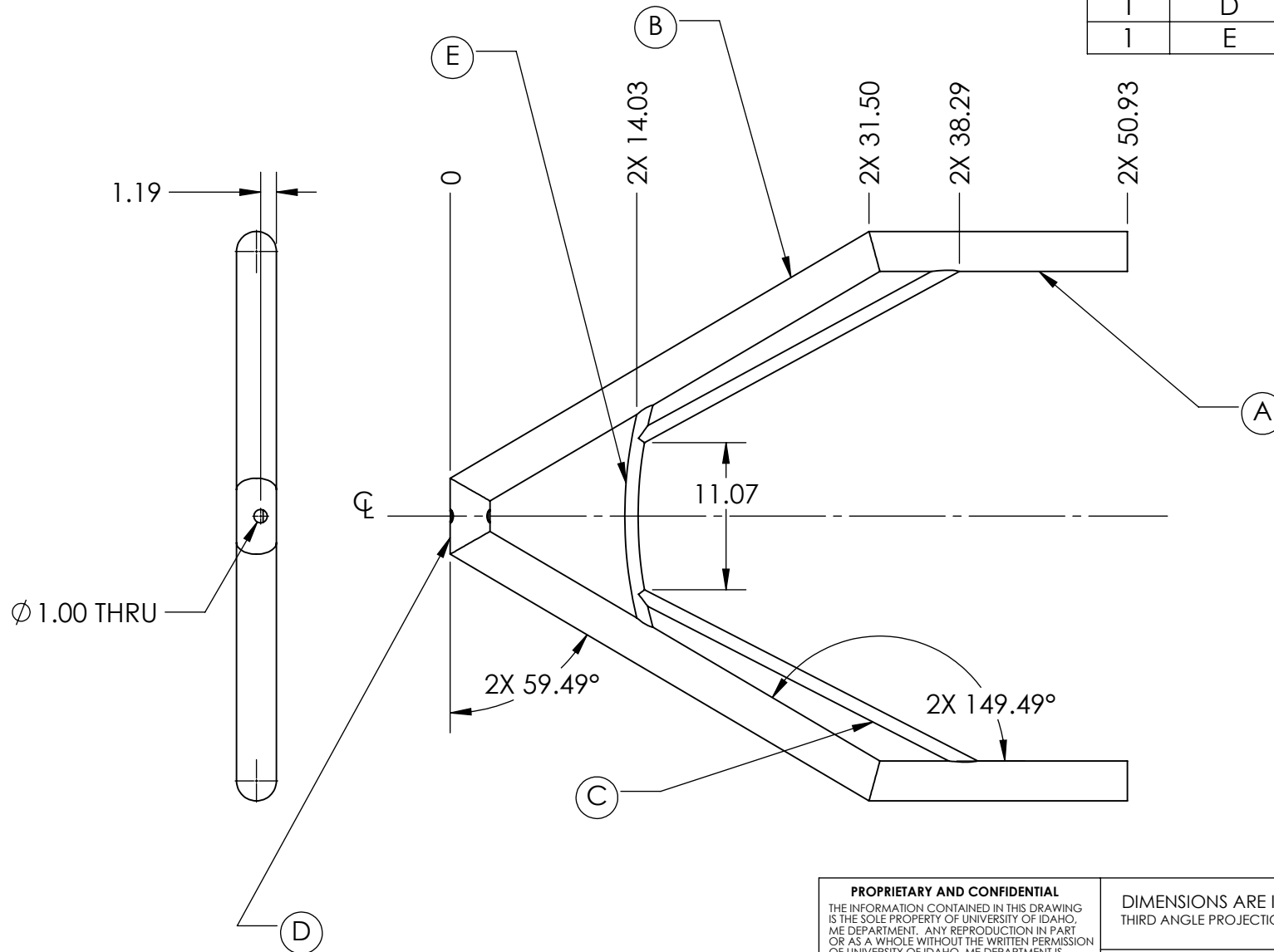
<b>PROPRIETARY AND CONFIDENTIAL</b> THE INFORMATION CONTAINED IN THIS DRAWING IS THE SOLE PROPERTY OF UNIVERSITY OF IDAHO, ME DEPARTMENT. ANY REPRODUCTION IN PART OR AS A WHOLE WITHOUT THE WRITTEN PERMISSION OF UNIVERSITY OF IDAHO, ME DEPARTMENT IS PROHIBITED.		DIMENSIONS ARE IN INCHES THIRD ANGLE PROJECTION 		<b>BEEST</b>	
DEFAULT TOLERANCES: LINEAR: X. ± .25 X.X ± .1 X.XX ± .01 X.XXX ± .002 ANGULAR: X. ± 2 X.X ± 1 X.XX ± 0 30'		DESCRIPTION: WELDED FRAME ASSEMBLY CHECKED BY: XXXXXXXXXX DATE: XX/XX/XX DRAWN BY: DATE: 12/11/2014 FILE NAME: BEESTEN-01_00.SLDPRT		MATERIAL: <b>UNIVERSITY OF IDAHO          ME DEPARTMENT</b> PART #: QTY: SCALE: 1:15 SHEET: 2 OF 3	



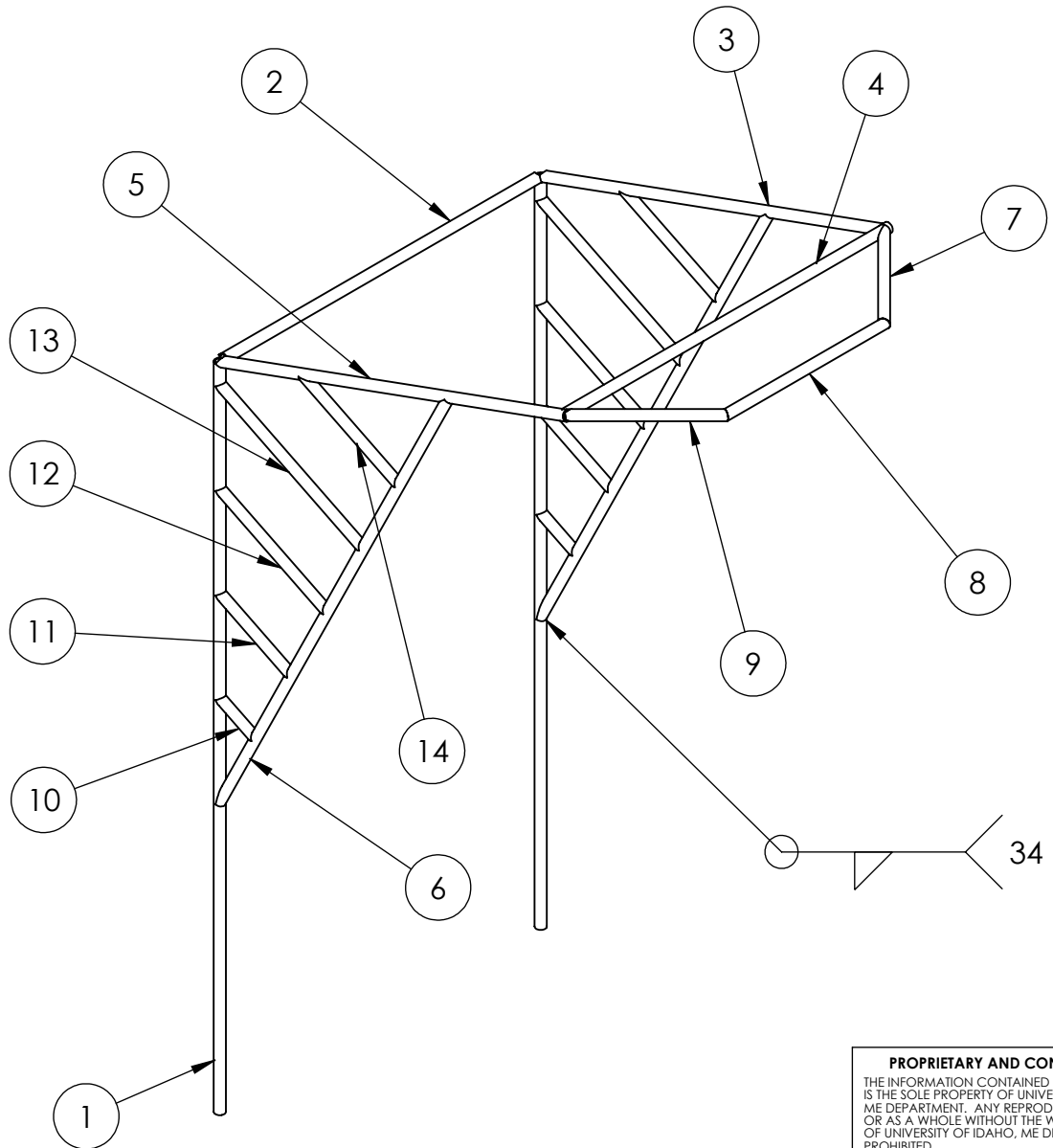
<b>PROPRIETARY AND CONFIDENTIAL</b> THE INFORMATION CONTAINED IN THIS DRAWING IS THE SOLE PROPERTY OF UNIVERSITY OF IDAHO, ME DEPARTMENT. ANY REPRODUCTION IN PART OR AS A WHOLE WITHOUT THE WRITTEN PERMISSION OF UNIVERSITY OF IDAHO, ME DEPARTMENT IS PROHIBITED.		DIMENSIONS ARE IN INCHES THIRD ANGLE PROJECTION		BEEST	
DEFAULT TOLERANCES:		DESCRIPTION: WELDED FRAME ASSEMBLY		UNIVERSITY OF IDAHO ME DEPARTMENT	
LINEAR:	ANGULAR:	CHECKED BY: XXXXXXXXXX	DATE: XX/XX/XX	PART #:	QTY:
X. ± .25	X. ± 2	DRAWN BY:	DATE: 12/11/2014		
X.X ± .1	X.X ± 1	FILE NAME: BEESTEN-01_00.SLDPRT	SCALE: 1:15	SHEET: 3 OF 3	
X.XX ± .01	X.XX ± 0.30'				
X.XXX ± .002					

ITEM NO.	PART NUMBER	DESCRIPTION	QTY.
1	BEESTEN-01_01	BASE FRAME WELDED	1

QTY.	CUTLIST	PIPESIZE X LENGTH - ANGLES ON EITHER END
2	A	3X19.44 - 90° X 15°
2	B	3X36.56 - 27° X 15°
2	C	1X26.96 - 61° X 26°
1	D	3X19.44 - 27° X 27°
1	E	1X16 - 44° X 44°



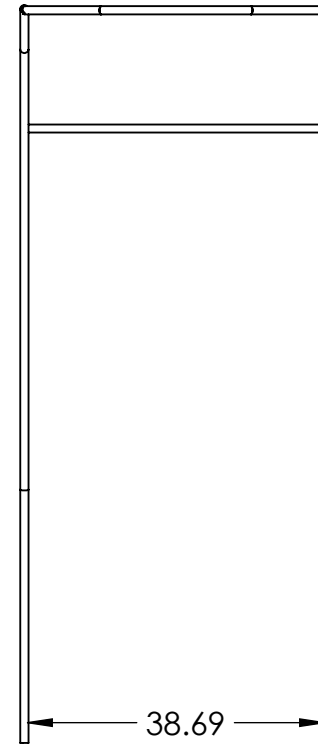
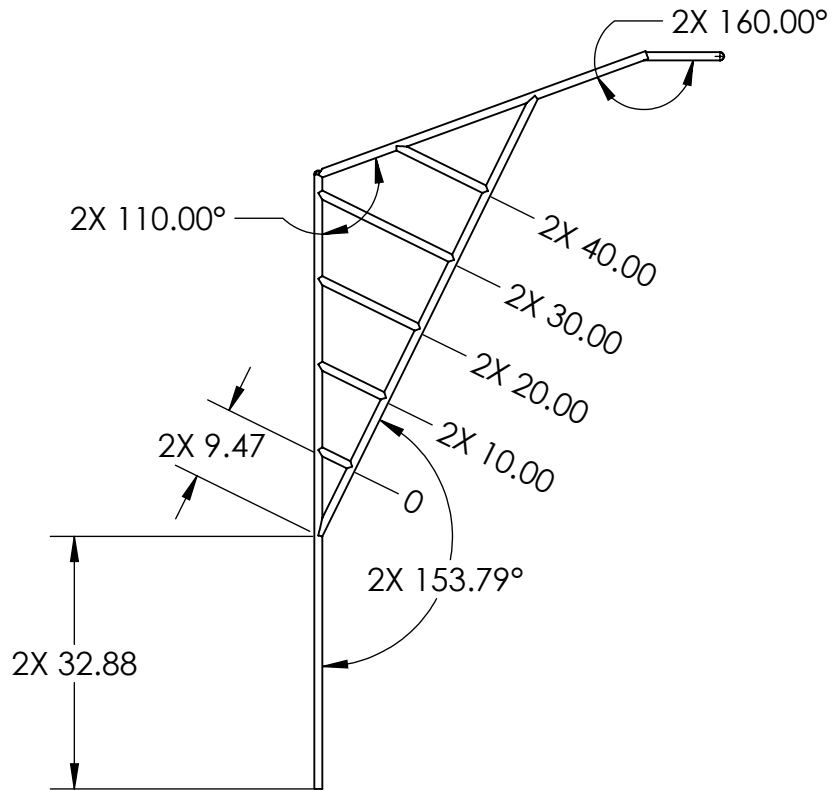
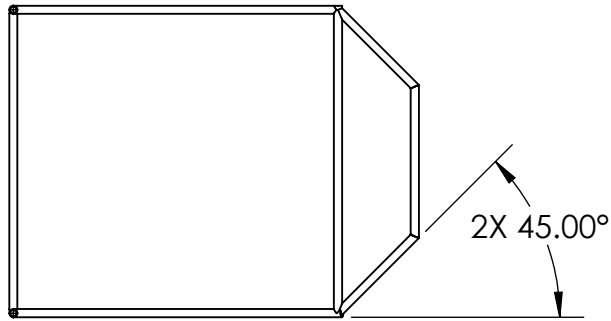
<b>PROPRIETARY AND CONFIDENTIAL</b> THE INFORMATION CONTAINED IN THIS DRAWING IS THE SOLE PROPERTY OF UNIVERSITY OF IDAHO, ME DEPARTMENT. ANY REPRODUCTION IN PART OR AS A WHOLE WITHOUT THE WRITTEN PERMISSION OF UNIVERSITY OF IDAHO, ME DEPARTMENT IS PROHIBITED.		DIMENSIONS ARE IN INCHES THIRD ANGLE PROJECTION		<b>WELDED FRAME ASSY</b>	
DEFAULT TOLERANCES: LINEAR: X. ± .25 X.X ± .1 X.XX ± .01 X.XXX ± .002		DESCRIPTION: BASE FRAME WELDED CHECKED BY: XXXXXXXXXX DRAWN BY: FILE NAME: BEESTEN-01_01.SLDPRT			
ANGULAR: X. ± 2 X.X ± 1 X.XX ± 0.30		DATE: XX/XX/XX DATE: 12/11/2014		UNIVERSITY OF IDAHO ME DEPARTMENT	
		SCALE: 1:12		PART #: _____ QTY: _____ SHEET: 1 OF 1	



ITEM NO.	QTY.	DESCRIPTION	LENGTH
1	2	PIPE 1.06 X 3.2	80
2	1	PIPE 1.06 X 3.2	38.89
3	1	PIPE 1.06 X 3.2	45
4	1	PIPE 1.06 X 3.2	40.03
5	1	PIPE 1.06 X 3.2	45.53
6	2	PIPE 1.06 X 3.2	63.82
7	1	PIPE 1.06 X 3.2	14.36
8	1	PIPE 1.06 X 3.2	19.94
9	1	PIPE 1.06 X 3.2	14.36
10	2	PIPE 1.06 X 3.2	4.92
11	2	PIPE 1.06 X 3.2	9.85
12	2	PIPE 1.06 X 3.2	14.77
13	2	PIPE 1.06 X 3.2	19.69
14	2	PIPE 1.06 X 3.2	13.25

34 PLACES

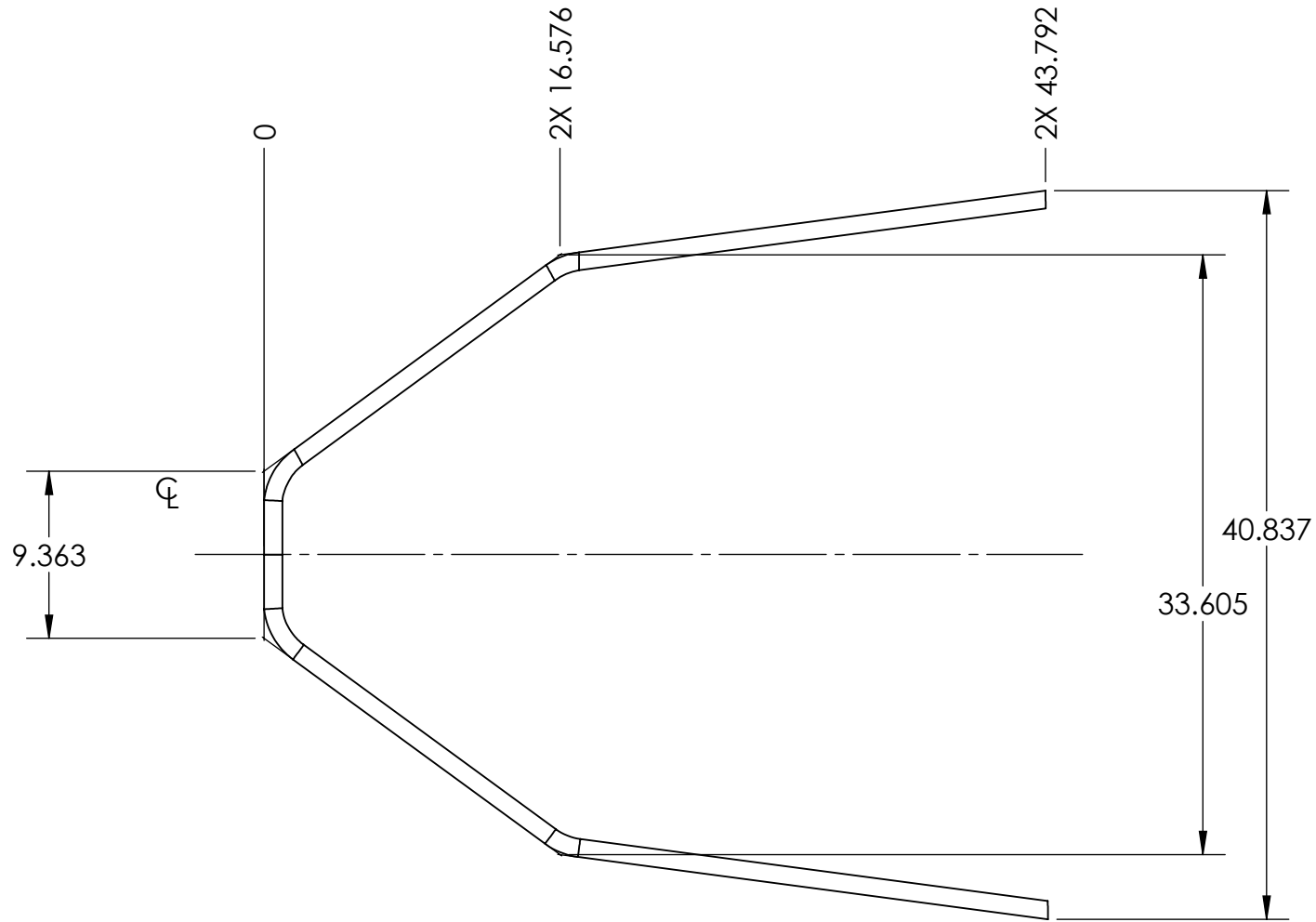
<b>PROPRIETARY AND CONFIDENTIAL</b> THE INFORMATION CONTAINED IN THIS DRAWING IS THE SOLE PROPERTY OF UNIVERSITY OF IDAHO, ME DEPARTMENT. ANY REPRODUCTION IN PART OR AS A WHOLE WITHOUT THE WRITTEN PERMISSION OF UNIVERSITY OF IDAHO, ME DEPARTMENT IS PROHIBITED.		DIMENSIONS ARE IN INCHES THIRD ANGLE PROJECTION		<b>WELDED FRAME ASSY</b>	
DEFAULT TOLERANCES: LINEAR: X.±.25 X.X±.1 X.XX±.01 X.XXX±.002		MATERIAL: 6061-T4 (SS)			
DESCRIPTION: WELDED CANOPY		CHECKED BY: XXXXXXXXXX	DATE: XX/XX/XX	PART #:	QTY:
DRAWN BY:		DATE: 12/11/2014	SCALE: 1:16		SHEET: 1 OF 2
FILE NAME: BEESTEN-01_02.SLDPRT					

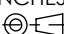


<b>PROPRIETARY AND CONFIDENTIAL</b> THE INFORMATION CONTAINED IN THIS DRAWING IS THE SOLE PROPERTY OF UNIVERSITY OF IDAHO, ME DEPARTMENT. ANY REPRODUCTION IN PART OR AS A WHOLE WITHOUT THE WRITTEN PERMISSION OF UNIVERSITY OF IDAHO, ME DEPARTMENT IS PROHIBITED.		DIMENSIONS ARE IN INCHES THIRD ANGLE PROJECTION		<b>WELDED FRAME ASSY</b>	
DEFAULT TOLERANCES:		DESCRIPTION: WELDED CANOPY			
LINEAR: X. ± .25 X.X ± .1 X.XX ± .01 X.XXX ± .002		ANGULAR: X. ± 2 X.X ± 1 X.XX ± 0 30'		MATERIAL: 6061-T4 (SS)	
CHECKED BY: XXXXXXXXXX		DATE: XX/XX/XX		PART #:	
DRAWN BY:		DATE: 12/11/2014		QTY:	
FILE NAME: BEESTEN-01_02.SLDPRT		SCALE: 1:25		SHEET: 2 OF 2	



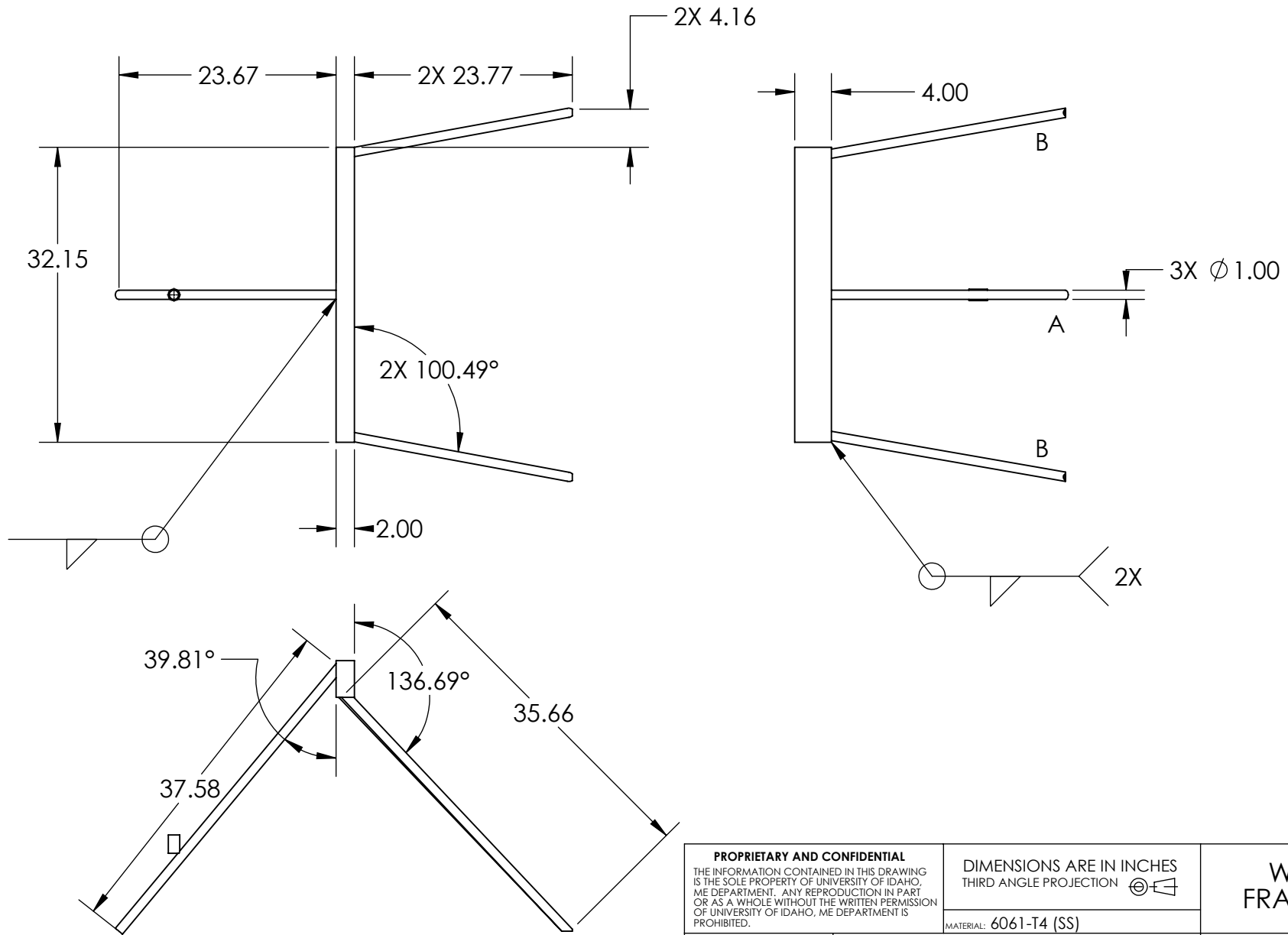
ITEM NO.	PART NUMBER	DESCRIPTION	QTY.	MATERIAL
1	BEESTEN-01_03	U-BEND TOP FRAME	1	1X1/8 PIPE



<b>PROPRIETARY AND CONFIDENTIAL</b> THE INFORMATION CONTAINED IN THIS DRAWING IS THE SOLE PROPERTY OF UNIVERSITY OF IDAHO, ME DEPARTMENT. ANY REPRODUCTION IN PART OR AS A WHOLE WITHOUT THE WRITTEN PERMISSION OF UNIVERSITY OF IDAHO, ME DEPARTMENT IS PROHIBITED.		DIMENSIONS ARE IN INCHES THIRD ANGLE PROJECTION 		<b>WELDED FRAME ASSY</b>	
DEFAULT TOLERANCES: LINEAR: X. ± .25 X.X ± .1 X.XX ± .01 X.XXX ± .002		MATERIAL: 4032-T6			
ANGULAR: X. ± 2 X.X ± 1 X.XX ± 0 30'		DESCRIPTION: U-BEND TOP FRAME		PART #:	QTY:
		CHECKED BY: XXXXXXXXXXXX		DATE: XX/XX/XX	
		DRAWN BY:		DATE: 12/11/2014	
		FILE NAME: BEESTEN-01_03.SLDPRT		SCALE: 1:10	
				SHEET: 1 OF 1	

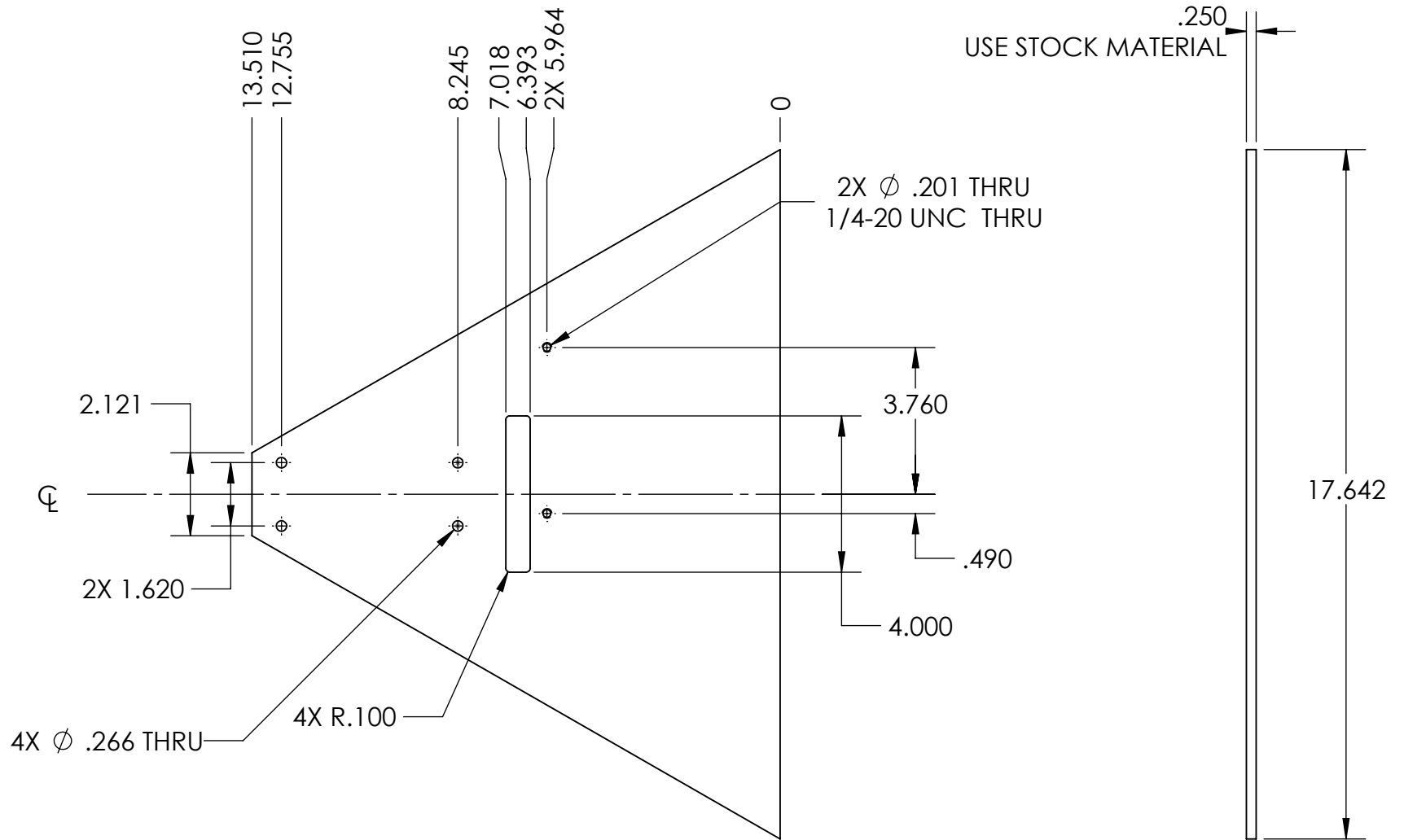
ITEM NO.	PART NUMBER	DESCRIPTION	QTY.
1	BEESTEN-01_04	WELDED MID FRAME	1

CUTLIST	
A	37.58" 2X 50°
B	35.66" 2X 47°



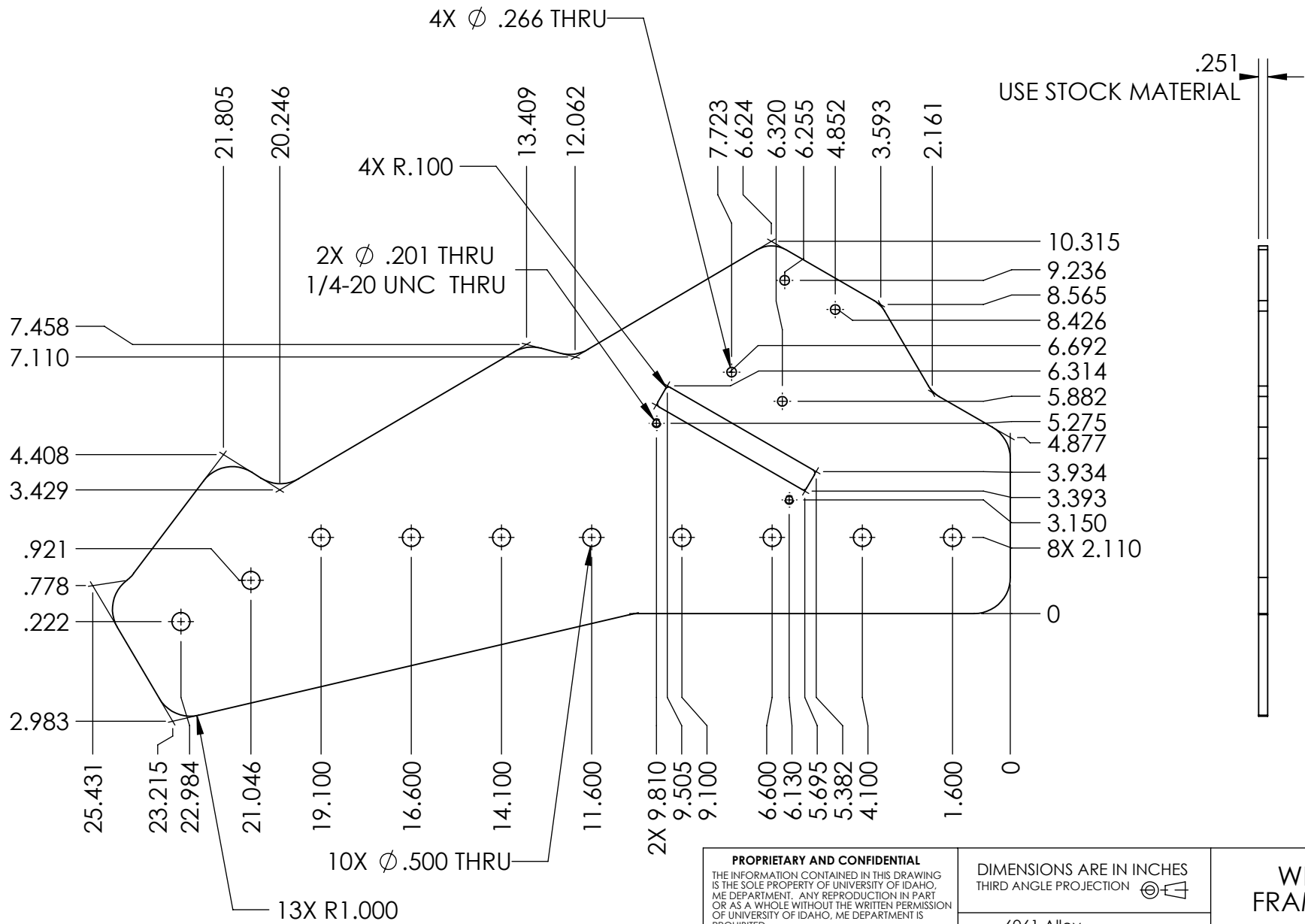
<b>PROPRIETARY AND CONFIDENTIAL</b> THE INFORMATION CONTAINED IN THIS DRAWING IS THE SOLE PROPERTY OF UNIVERSITY OF IDAHO, ME DEPARTMENT. ANY REPRODUCTION IN PART OR AS A WHOLE WITHOUT THE WRITTEN PERMISSION OF UNIVERSITY OF IDAHO, ME DEPARTMENT IS PROHIBITED.		DIMENSIONS ARE IN INCHES THIRD ANGLE PROJECTION		<b>WELDED FRAME ASSY</b>	
DEFAULT TOLERANCES:		MATERIAL: 6061-T4 (SS)			
LINEAR: X. ± .25 X.X ± .1 X.XX ± .01 X.XXX ± .002	ANGULAR: X. ± 2 X.X ± 1 X.XX ± 0.30'	DESCRIPTION: WELDED MID FRAME	CHECKED BY: XXXXXXXXXXXX	DATE: XX/XX/XX	<b>UNIVERSITY OF IDAHO ME DEPARTMENT</b>
		DRAWN BY:	DATE: 12/11/2014	PART #:	
		FILE NAME: BEESTEN-01_04.SLDPRT	SCALE: 1:16	QTY: SHEET: 1 OF 1	

ITEM NO.	PART NUMBER	DESCRIPTION	QTY.
1	BEESTEN-01_05	FRONT SHEET METAL MOUNT	1



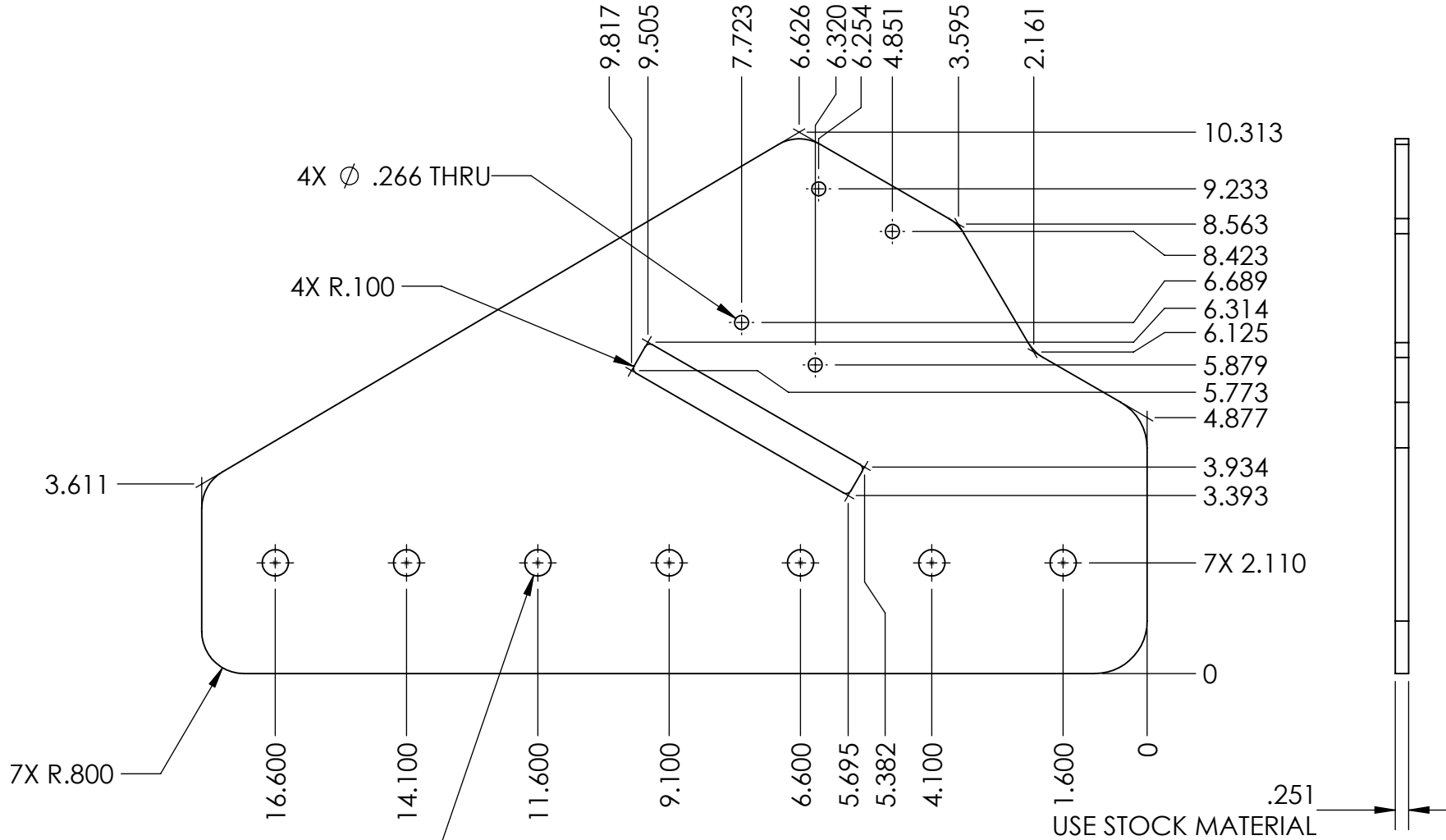
<b>PROPRIETARY AND CONFIDENTIAL</b> THE INFORMATION CONTAINED IN THIS DRAWING IS THE SOLE PROPERTY OF UNIVERSITY OF IDAHO, ME DEPARTMENT. ANY REPRODUCTION IN PART OR AS A WHOLE WITHOUT THE WRITTEN PERMISSION OF UNIVERSITY OF IDAHO, ME DEPARTMENT IS PROHIBITED.		DIMENSIONS ARE IN INCHES THIRD ANGLE PROJECTION		<b>WELDED FRAME ASSY</b>	
DEFAULT TOLERANCES: LINEAR: X.±.25 X.X±.1 X.XX±.01 X.XXX±.002		MATERIAL: 6061 Alloy			
ANGULAR: X.± 2 X.X± 1 X.XX± 0 30'		DESCRIPTION: FRONT SHEET METAL MOUNT		PART #:	QTY:
CHECKED BY: XXXXXXXXXX		DATE: XX/XX/XX		SCALE: 1:4	
DRAWN BY:		DATE: 12/11/2014		SHEET: 1 OF 1	
FILE NAME: BEESTEN-01_05.SLDPRT					

ITEM NO.	PART NUMBER	DESCRIPTION	QTY.
1	BEESTEN-01_06	TOP SHEET METAL MOUNT	1



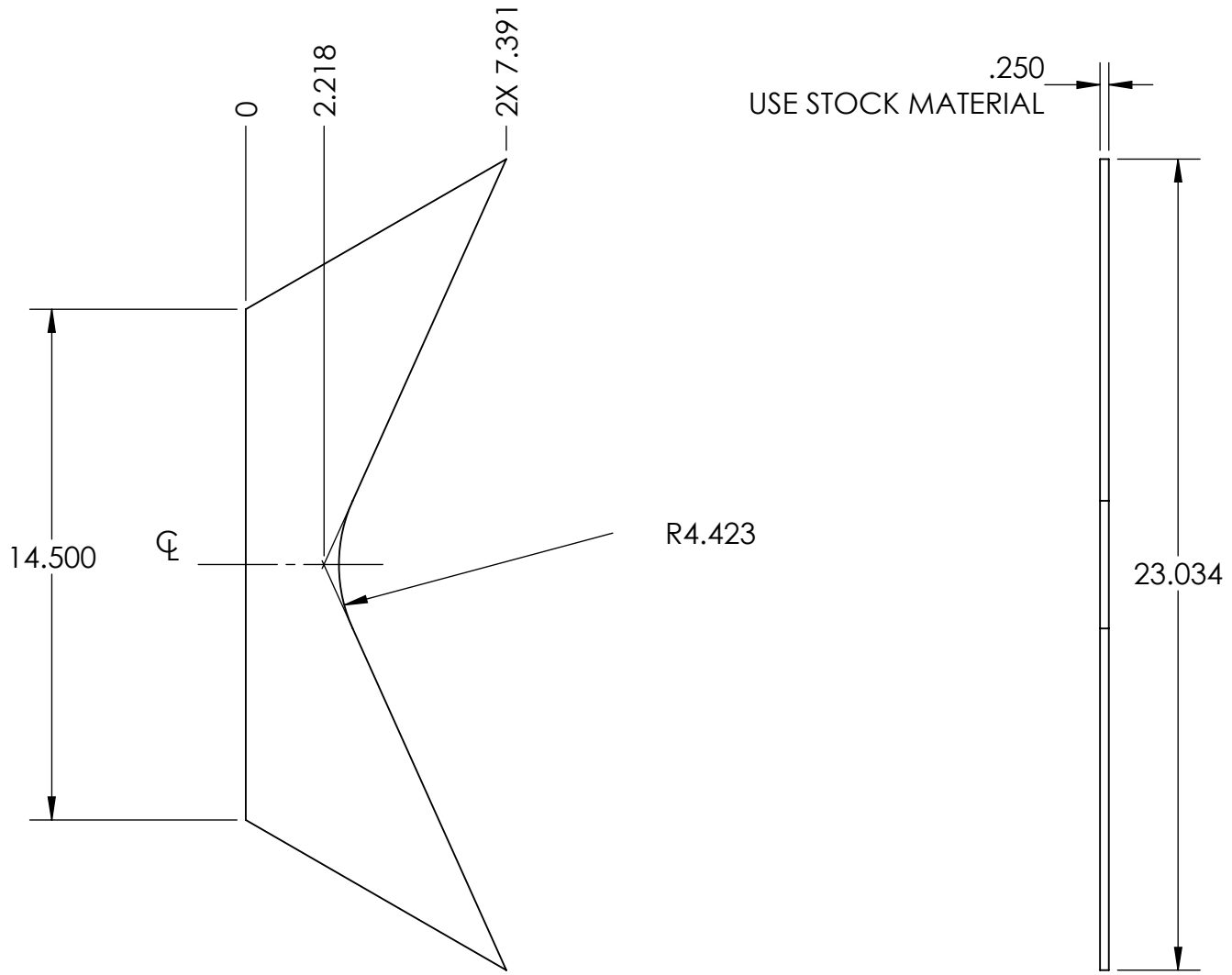
<b>PROPRIETARY AND CONFIDENTIAL</b> THE INFORMATION CONTAINED IN THIS DRAWING IS THE SOLE PROPERTY OF UNIVERSITY OF IDAHO, ME DEPARTMENT. ANY REPRODUCTION IN PART OR AS A WHOLE WITHOUT THE WRITTEN PERMISSION OF UNIVERSITY OF IDAHO, ME DEPARTMENT IS PROHIBITED.		DIMENSIONS ARE IN INCHES THIRD ANGLE PROJECTION		<b>WELDED FRAME ASSY</b>	
DEFAULT TOLERANCES: LINEAR: X.±.25 X.X±.1 X.XX±.01 X.XXX±.002		MATERIAL: 6061 Alloy			
DESCRIPTION: TOP SHEET METAL MOUNT		UNIVERSITY OF IDAHO ME DEPARTMENT		PART #:	
CHECKED BY: XXXXXXXXXX		DATE: XX/XX/XX		QTY:	
DRAWN BY:		DATE: 12/11/2014		SCALE: 1:4	
FILE NAME: BEESTEN-01_06.SLDPRT		SHEET: 1 OF 1			

ITEM NO.	PART NUMBER	DESCRIPTION	QTY.
1	BEESTEN-01_07	BOTTOM SHEET METAL MOUNT	1



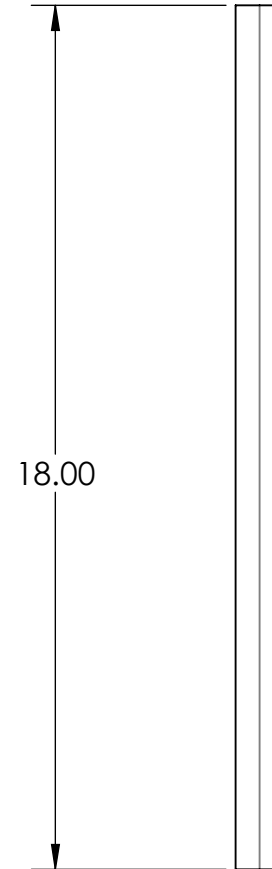
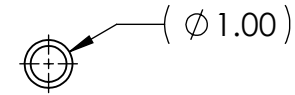
<b>PROPRIETARY AND CONFIDENTIAL</b> THE INFORMATION CONTAINED IN THIS DRAWING IS THE SOLE PROPERTY OF UNIVERSITY OF IDAHO, ME DEPARTMENT. ANY REPRODUCTION IN PART OR AS A WHOLE WITHOUT THE WRITTEN PERMISSION OF UNIVERSITY OF IDAHO, ME DEPARTMENT IS PROHIBITED.		DIMENSIONS ARE IN INCHES THIRD ANGLE PROJECTION		<b>WELDED FRAME ASSY</b>	
DEFAULT TOLERANCES: LINEAR: X.±.25 X.X±.1 X.XX±.01 X.XXX±.002		DESCRIPTION: BOTTOM SHEET METAL MOUNT CHECKED BY: XXXXXXXXXX DRAWN BY: FILE NAME: BEESTEN-01_07.SLDPRT			
ANGULAR: X.± 2 X.X± 1 X.XX± 0 30'		DATE: XX/XX/XX DATE: 12/11/2014		UNIVERSITY OF IDAHO ME DEPARTMENT	
		SCALE: 1:3		PART #: QTY: SHEET: 1 OF 1	

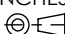
ITEM NO.	PART NUMBER	DESCRIPTION	QTY.
1	BEESTEN-01_08	SHEET METAL MID BRACE	1



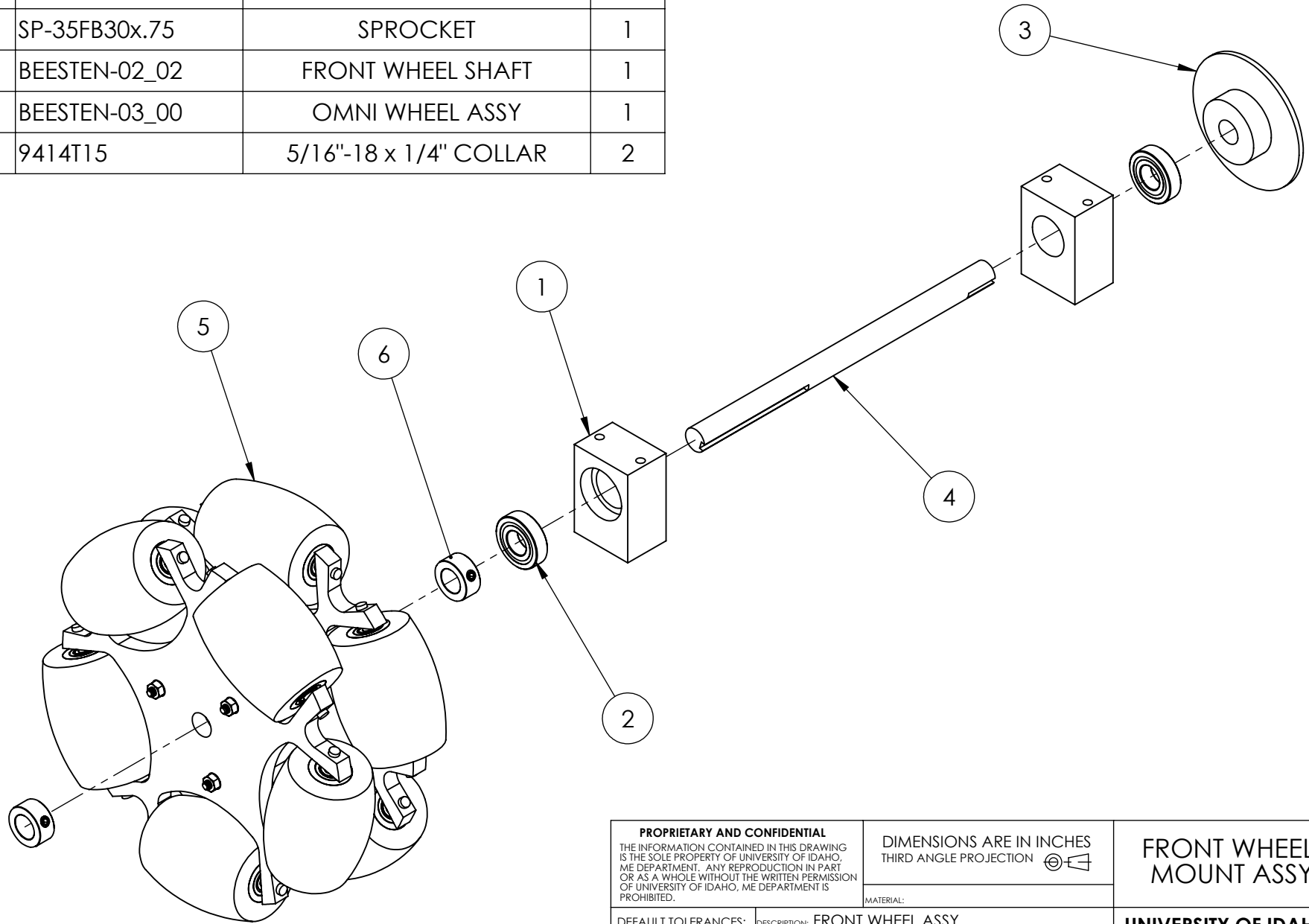
<b>PROPRIETARY AND CONFIDENTIAL</b> THE INFORMATION CONTAINED IN THIS DRAWING IS THE SOLE PROPERTY OF UNIVERSITY OF IDAHO, ME DEPARTMENT. ANY REPRODUCTION IN PART OR AS A WHOLE WITHOUT THE WRITTEN PERMISSION OF UNIVERSITY OF IDAHO, ME DEPARTMENT IS PROHIBITED.		DIMENSIONS ARE IN INCHES THIRD ANGLE PROJECTION		<b>WELDED FRAME ASSY</b>	
DEFAULT TOLERANCES: LINEAR: X. ± .25 X.X ± .1 X.XX ± .01 X.XXX ± .002		MATERIAL: 6061 Alloy			
ANGULAR: X. ± 2 X.X ± 1 X.XX ± 0 30'		DESCRIPTION: SHEET METAL MID BRACE		<b>UNIVERSITY OF IDAHO ME DEPARTMENT</b>	
DRAWN BY:		CHECKED BY: XXXXXXXXXXXX			
FILE NAME: BEESTEN-01_08.SLDPRT		DATE: 12/11/2014		PART #:	
SCALE: 1:5		SHEET: 1 OF 1		QTY:	

ITEM NO.	PART NUMBER	DESCRIPTION	QTY.	MATERIAL
1	BEESTEN-01_09	FRONT U-BRACE	1	1X1/8 PIPE



<b>PROPRIETARY AND CONFIDENTIAL</b> THE INFORMATION CONTAINED IN THIS DRAWING IS THE SOLE PROPERTY OF UNIVERSITY OF IDAHO, ME DEPARTMENT. ANY REPRODUCTION IN PART OR AS A WHOLE WITHOUT THE WRITTEN PERMISSION OF UNIVERSITY OF IDAHO, ME DEPARTMENT IS PROHIBITED.		DIMENSIONS ARE IN INCHES THIRD ANGLE PROJECTION 		<b>WELDED FRAME ASSY</b>	
DEFAULT TOLERANCES: LINEAR: X. ± .25 X.X ± .1 X.XX ± .01 X.XXX ± .002		DESCRIPTION: FRONT U-BRACE CHECKED BY: XXXXXXXXXX DATE: XX/XX/XX DRAWN BY: DATE: 12/11/2014			
		MATERIAL: 5052-H32		PART #:	QTY:
		FILE NAME: BEESTEN-01_09.SLDPRT		SCALE: 1:4	SHEET: 1 OF 1

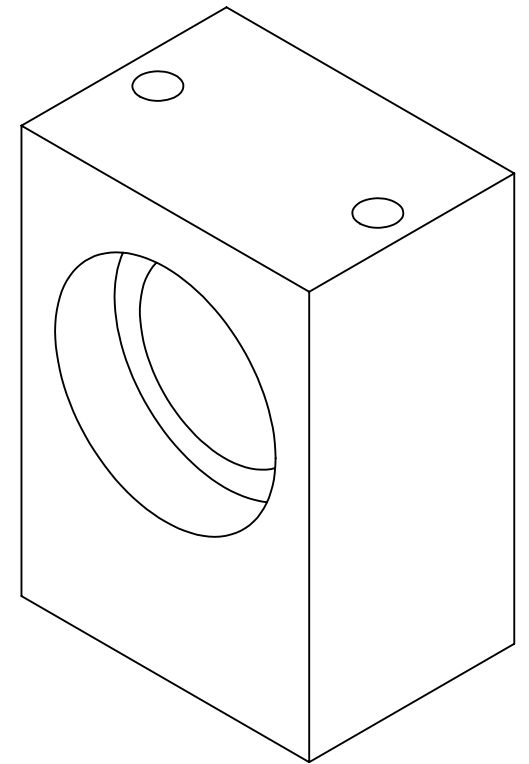
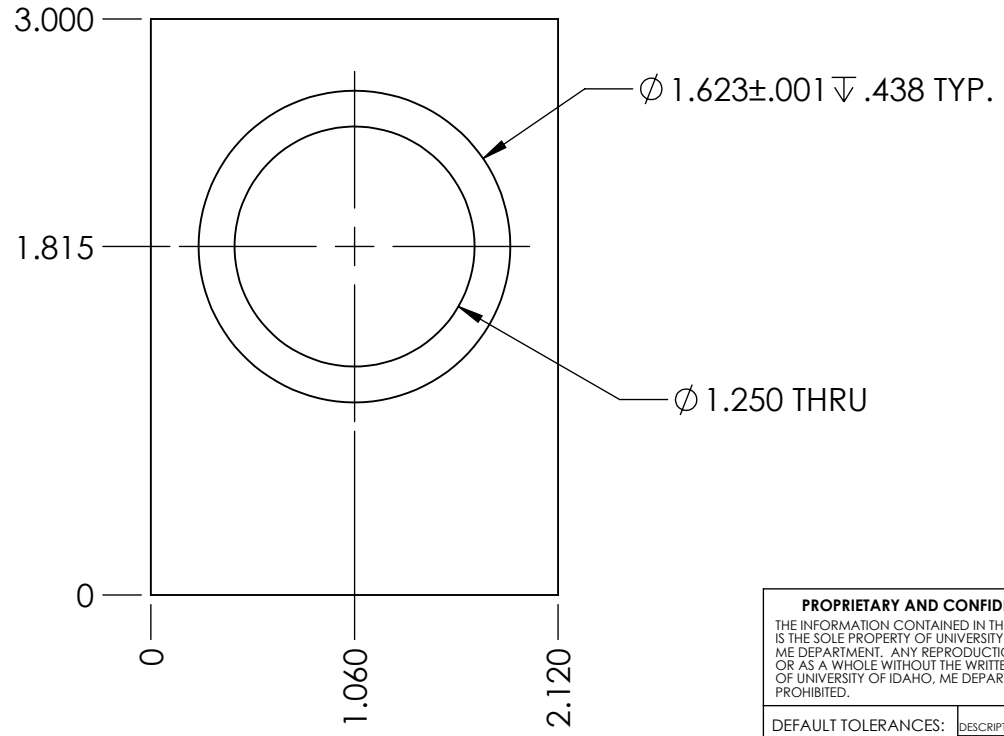
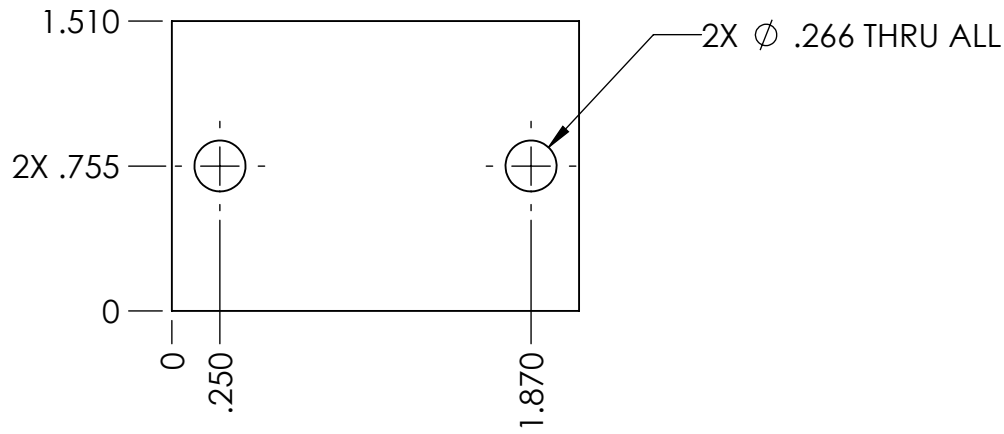
ITEM NO.	PART NUMBER	DESCRIPTION	QTY.
1	BEESTEN-02_01	FRONT WHEEL MOUNT	2
2	60355K706	3/4 SHAFT BEARING	2
3	SP-35FB30x.75	SPROCKET	1
4	BEESTEN-02_02	FRONT WHEEL SHAFT	1
5	BEESTEN-03_00	OMNI WHEEL ASSY	1
6	9414T15	5/16"-18 x 1/4" COLLAR	2



<b>PROPRIETARY AND CONFIDENTIAL</b> THE INFORMATION CONTAINED IN THIS DRAWING IS THE SOLE PROPERTY OF UNIVERSITY OF IDAHO, ME DEPARTMENT. ANY REPRODUCTION IN PART OR AS A WHOLE WITHOUT THE WRITTEN PERMISSION OF UNIVERSITY OF IDAHO, ME DEPARTMENT IS PROHIBITED.		DIMENSIONS ARE IN INCHES THIRD ANGLE PROJECTION		<b>FRONT WHEEL MOUNT ASSY</b>	
DEFAULT TOLERANCES:		DESCRIPTION: FRONT WHEEL ASSY		UNIVERSITY OF IDAHO ME DEPARTMENT	
LINEAR: X. ± .25 X.X ± .1 X.XX ± .01 X.XXX ± .002	ANGULAR: X. ± 2 X.X ± 1 X.XX ± 0 30'	CHECKED BY: XXXXXXXXXX	DATE: XX/XX/XX	PART #:	QTY:
DRAWN BY:		DATE: 12/15/2014		SCALE: 1:4	
FILE NAME: BEESTEN-02_00.SLDPRT		SHEET: 1 OF 1			

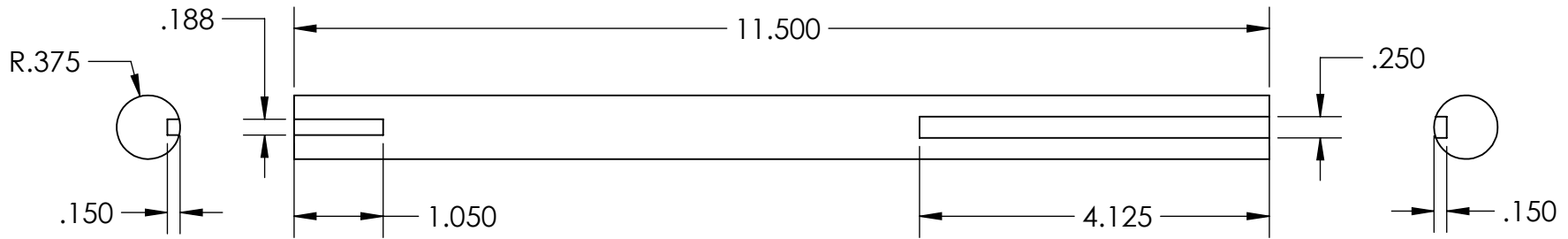
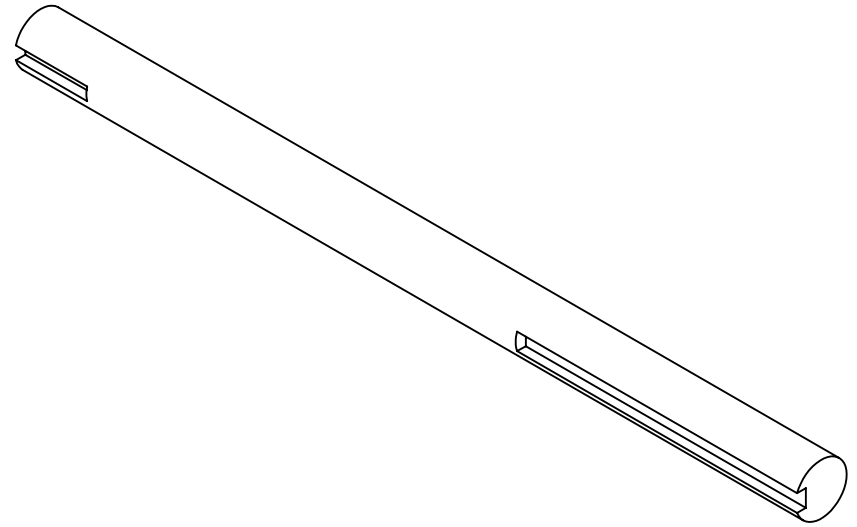


ITEM NO.	PART NUMBER	DESCRIPTION	QTY.
1	BEESTEN-02_01	FRONT WHEEL MOUNT	1



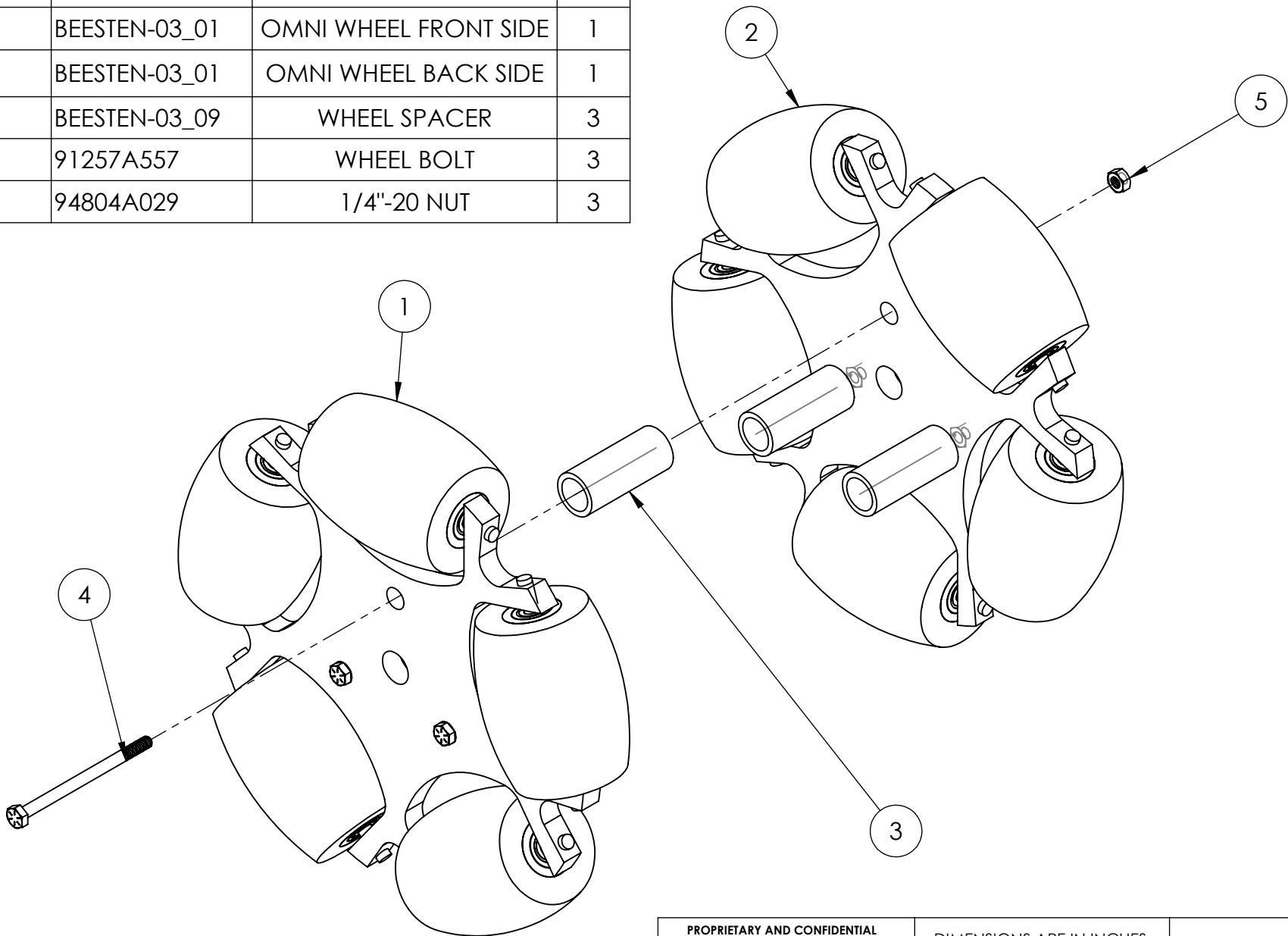
<b>PROPRIETARY AND CONFIDENTIAL</b> THE INFORMATION CONTAINED IN THIS DRAWING IS THE SOLE PROPERTY OF UNIVERSITY OF IDAHO, ME DEPARTMENT. ANY REPRODUCTION IN PART OR AS A WHOLE WITHOUT THE WRITTEN PERMISSION OF UNIVERSITY OF IDAHO, ME DEPARTMENT IS PROHIBITED.		DIMENSIONS ARE IN INCHES THIRD ANGLE PROJECTION		<b>FRONT WHEEL MOUNT ASSY</b>	
DEFAULT TOLERANCES:		DESCRIPTION: FRONT WHEEL MOUNT		MATERIAL: 6061 Alloy	
LINER:	ANGULAR:	CHECKED BY: XXXXXXXXXX	DATE: XX/XX/XX	<b>UNIVERSITY OF IDAHO ME DEPARTMENT</b>	
X. ± .25	X. ± 2	DRAWN BY:	DATE: 12/15/2014	PART #:	QTY:
X.X ± .1	X.X ± 1	FILE NAME: BEESTEN-02_01.SLDPRT	SCALE: 1:1	SHEET: 1 OF 1	
X.XX ± .01	X.XX ± 0 30'				
X.XXX ± .002					

ITEM NO.	PART NUMBER	DESCRIPTION	QTY.
1	BEESTEN-02_02	FRONT WHEEL SHAFT	1



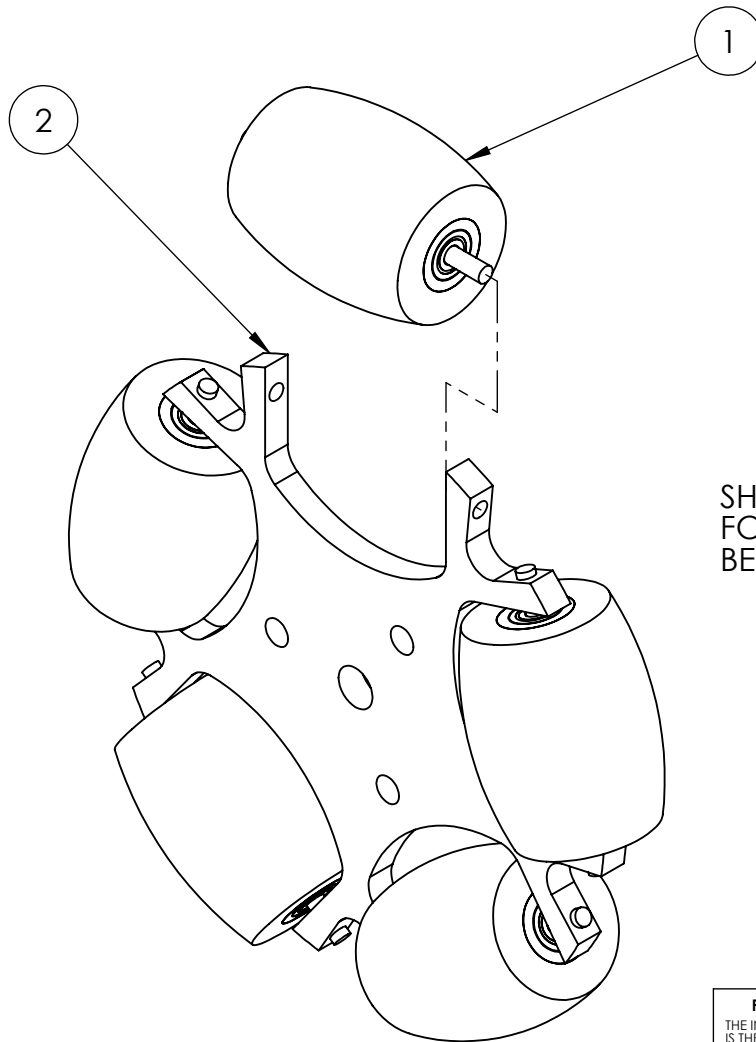
<b>PROPRIETARY AND CONFIDENTIAL</b> THE INFORMATION CONTAINED IN THIS DRAWING IS THE SOLE PROPERTY OF UNIVERSITY OF IDAHO, ME DEPARTMENT. ANY REPRODUCTION IN PART OR AS A WHOLE WITHOUT THE WRITTEN PERMISSION OF UNIVERSITY OF IDAHO, ME DEPARTMENT IS PROHIBITED.		DIMENSIONS ARE IN INCHES THIRD ANGLE PROJECTION		<b>FRONT WHEEL MOUNT ASSY</b>	
DEFAULT TOLERANCES:		DESCRIPTION: FRONT WHEEL SHAFT		UNIVERSITY OF IDAHO ME DEPARTMENT	
LINEAR: X. ± .25 X.X ± .1 X.XX ± .01 X.XXX ± .002	ANGULAR: X. ± 2 X.X ± 1 X.XX ± 0 30'	CHECKED BY: XXXXXXXXXX	DATE: XX/XX/XX	PART #:	QTY:
		DRAWN BY:		DATE: 12/15/2014	
		FILE NAME: BEESTEN-02_02.SLDPRT		SCALE: 1:2	SHEET: 1 OF 1
		MATERIAL: 1023 Carbon Steel Sheet (SS)			

ITEM NO.	PART NUMBER	DESCRIPTION	QTY.
1	BEESTEN-03_01	OMNI WHEEL FRONT SIDE	1
2	BEESTEN-03_01	OMNI WHEEL BACK SIDE	1
3	BEESTEN-03_09	WHEEL SPACER	3
4	91257A557	WHEEL BOLT	3
5	94804A029	1/4"-20 NUT	3



<b>PROPRIETARY AND CONFIDENTIAL</b> THE INFORMATION CONTAINED IN THIS DRAWING IS THE SOLE PROPERTY OF UNIVERSITY OF IDAHO, ME DEPARTMENT. ANY REPRODUCTION IN PART OR AS A WHOLE WITHOUT THE WRITTEN PERMISSION OF UNIVERSITY OF IDAHO, ME DEPARTMENT IS PROHIBITED.		DIMENSIONS ARE IN INCHES THIRD ANGLE PROJECTION		<b>BACK WHEEL MOUNT ASSY</b>	
DEFAULT TOLERANCES:		DESCRIPTION: OMNI WHEEL ASSY		UNIVERSITY OF IDAHO ME DEPARTMENT	
LINEAR: X. ± .25 X.X ± .1 X.XX ± .01 X.XXX ± .002	ANGULAR: X. ± 2 X.X ± 1 X.XX ± 0 30'	CHECKED BY: XXXXXXXXXX	DATE: XX/XX/XX	PART #:	QTY:
DRAWN BY:		DATE: 12/15/2014		SCALE: 1:3	
FILE NAME: BEESTEN-03_00.SLDPRT		SHEET: 1 OF 1			

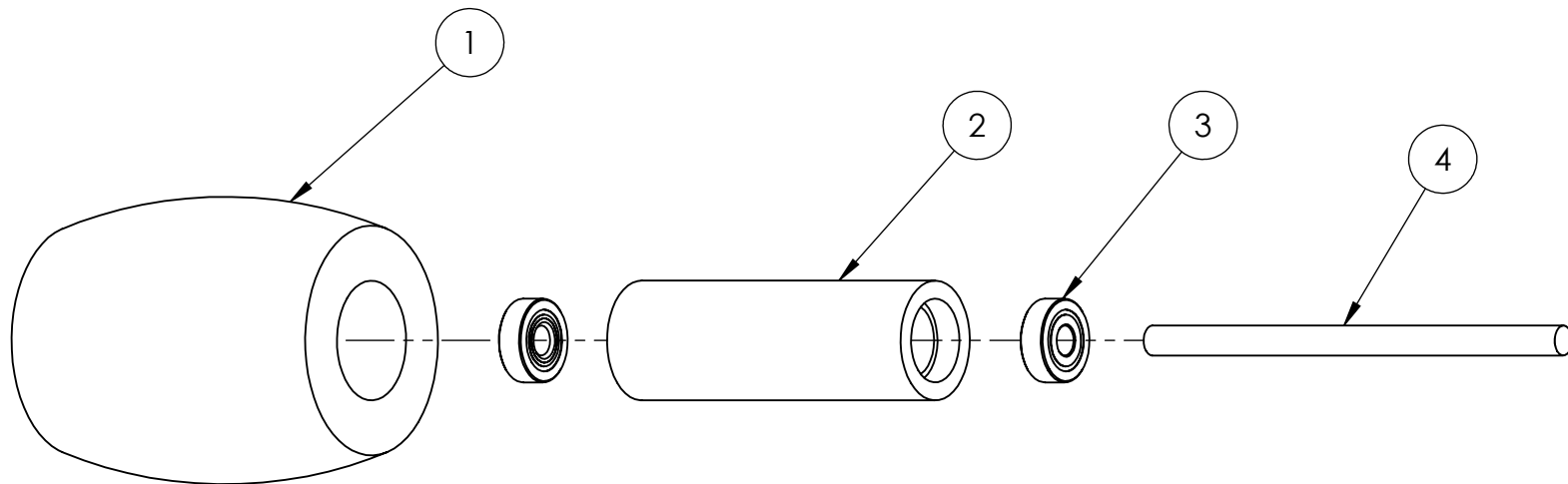
ITEM NO.	PART NUMBER	DESCRIPTION	BACK/QTY.
1	BEESTEN-03_03	OMNI WHEEL ROLLER ASSY	5
2	BEESTEN-03_08	BACK WHEEL PLATE	1

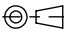


SHOWN IS CONFIGURATION BACK.  
 FOR CONFIGURATION FRONT USE PART#  
 BEESTEN-03\_07 IN PLACE OF BEESTEN-03\_08.

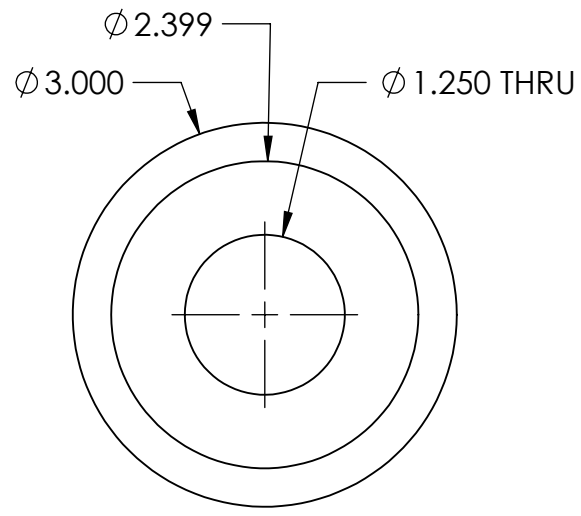
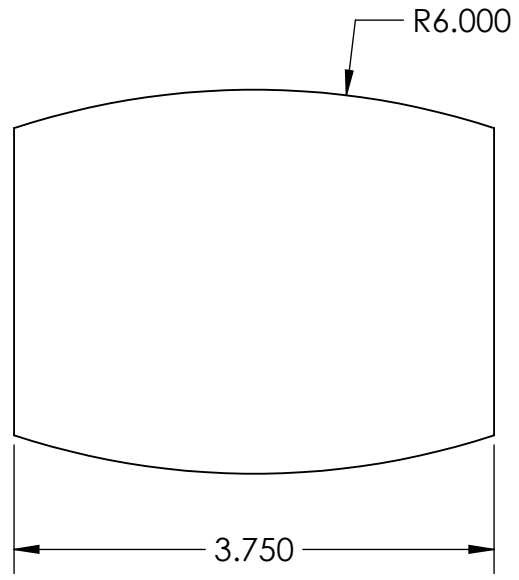
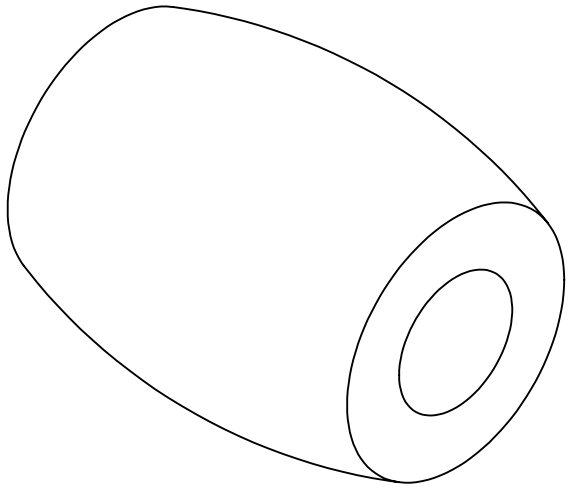
<b>PROPRIETARY AND CONFIDENTIAL</b> <small>THE INFORMATION CONTAINED IN THIS DRAWING IS THE SOLE PROPERTY OF UNIVERSITY OF IDAHO, ME DEPARTMENT. ANY REPRODUCTION IN PART OR AS A WHOLE WITHOUT THE WRITTEN PERMISSION OF UNIVERSITY OF IDAHO, ME DEPARTMENT IS PROHIBITED.</small>		DIMENSIONS ARE IN INCHES THIRD ANGLE PROJECTION		<b>BEESTEN OMNIWHEEL</b>	
DEFAULT TOLERANCES:		DESCRIPTION: OMNI WHEEL BACK SIDE		<b>UNIVERSITY OF IDAHO ME DEPARTMENT</b>	
LINEAR: X. ± .25 X.X ± .1 X.XX ± .01 X.XXX ± .002	ANGULAR: X. ± 2 X.X ± 1 X.XX ± 0 30'	CHECKED BY: XXXXXXXXXX	DATE: XX/XX/XX		
		DRAWN BY:	DATE: 12/15/2014	PART #:	QTY:
		FILE NAME: BEESTEN-03_01.SLDPRT	SCALE: 1:3	SHEET: 1 OF 1	

ITEM NO.	PART NUMBER	DESCRIPTION	QTY.
1	BEESTEN-03_04	OMNI WHEEL ROLLER	1
2	BEESTEN-03_05	OMNI WHEEL SLEEVE	1
3	6384K53	Double-Shielded Ball Bearing	2
4	BEESTEN-03_06	OMNI WHEEL ROLLER SHAFT	1



<b>PROPRIETARY AND CONFIDENTIAL</b> THE INFORMATION CONTAINED IN THIS DRAWING IS THE SOLE PROPERTY OF UNIVERSITY OF IDAHO, ME DEPARTMENT. ANY REPRODUCTION IN PART OR AS A WHOLE WITHOUT THE WRITTEN PERMISSION OF UNIVERSITY OF IDAHO, ME DEPARTMENT IS PROHIBITED.		DIMENSIONS ARE IN INCHES THIRD ANGLE PROJECTION 		<b>BEESTEN OMNIWHEEL</b>	
DEFAULT TOLERANCES:		DESCRIPTION: OMNI WHEEL ROLLER ASSY		<b>UNIVERSITY OF IDAHO ME DEPARTMENT</b>	
LINEAR: X. ± .25 X.X ± .1 X.XX ± .01 X.XXX ± .002	ANGULAR: X. ± 2 X.X ± 1 X.XX ± 0 30'	CHECKED BY: XXXXXXXXXX	DATE: XX/XX/XX		
		DRAWN BY:	DATE: 12/15/2014	PART #:	QTY:
		FILE NAME: BEESTEN-03_03.SLDPRT	SCALE: 1:2	SHEET: 1 OF 1	

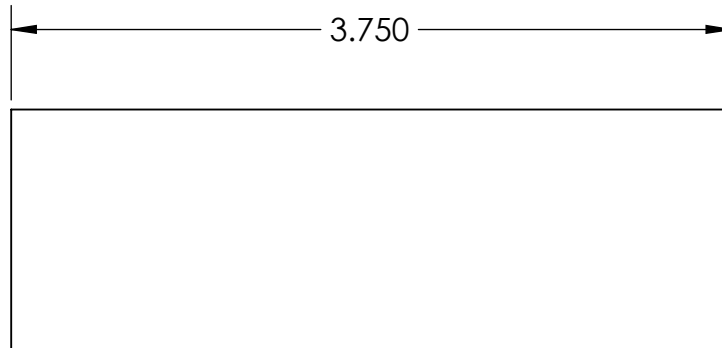
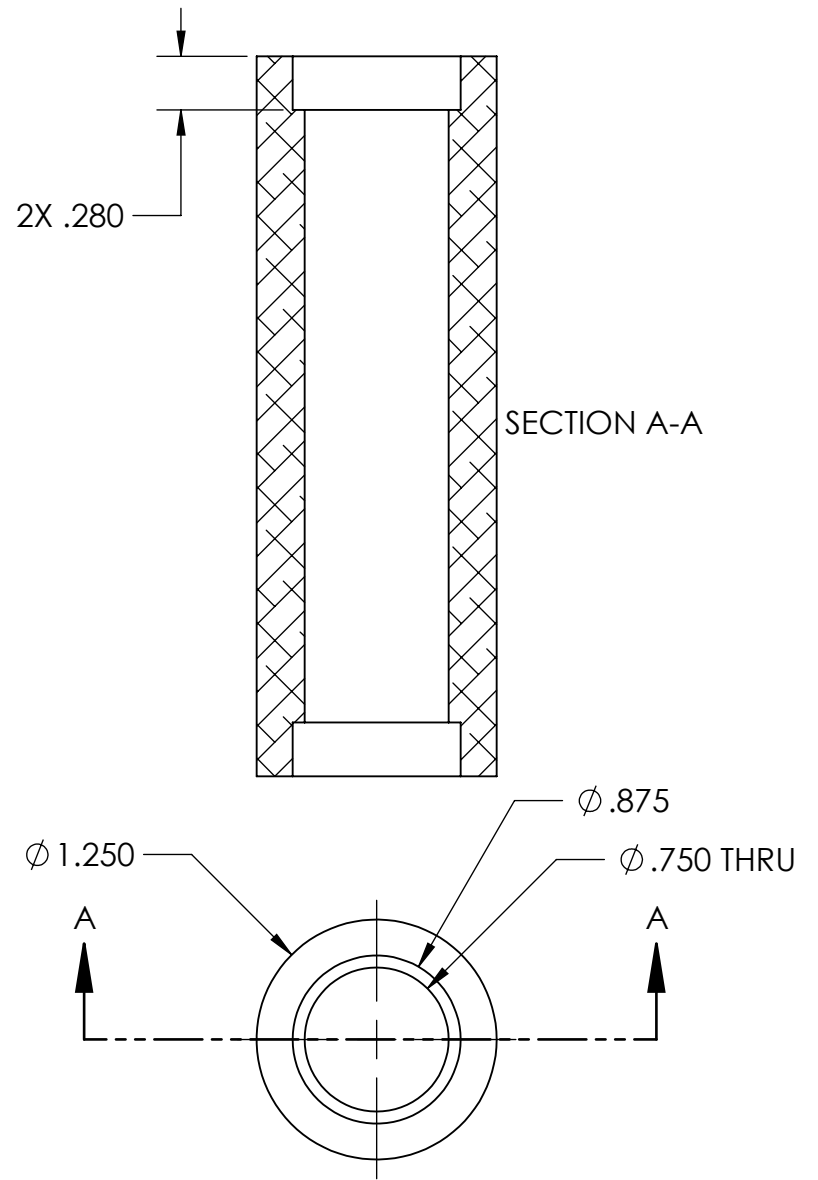
ITEM NO.	PART NUMBER	DESCRIPTION	QTY.
1	BEESTEN-03_04	OMNI WHEEL ROLLER	1



TO BE CAST AROUND  
BEESTEN-03\_05 IN MOLD

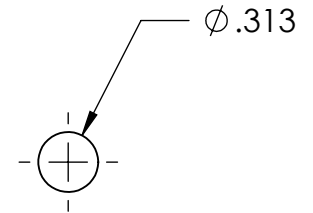
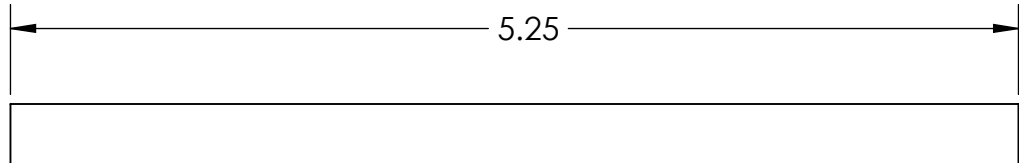
<b>PROPRIETARY AND CONFIDENTIAL</b> THE INFORMATION CONTAINED IN THIS DRAWING IS THE SOLE PROPERTY OF UNIVERSITY OF IDAHO, ME DEPARTMENT. ANY REPRODUCTION IN PART OR AS A WHOLE WITHOUT THE WRITTEN PERMISSION OF UNIVERSITY OF IDAHO, ME DEPARTMENT IS PROHIBITED.		DIMENSIONS ARE IN INCHES THIRD ANGLE PROJECTION		<b>BEESTEN WHEEL ASSY</b>	
DEFAULT TOLERANCES:		DESCRIPTION: OMNI WHEEL ROLLER		MATERIAL: POLYURETHANE (11671)	
LINEAR: X. ± .25 X.X ± .1 X.XX ± .01 X.XXX ± .002	ANGULAR: X. ± 2 X.X ± 1 X.XX ± 0 30'	CHECKED BY: XXXXXXXXXX	DATE: XX/XX/XX	<b>UNIVERSITY OF IDAHO ME DEPARTMENT</b>	
DRAWN BY:		DATE: 12/15/2014	PART #:	QTY:	
FILE NAME: BEESTEN-03_04.SLDPRT		SCALE: 2:3	SHEET: 1 OF 1		

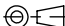
ITEM NO.	PART NUMBER	DESCRIPTION	QTY.
1	BEESTEN-03_05	OMNI WHEEL SLEEVE	1



<b>PROPRIETARY AND CONFIDENTIAL</b> THE INFORMATION CONTAINED IN THIS DRAWING IS THE SOLE PROPERTY OF UNIVERSITY OF IDAHO, ME DEPARTMENT. ANY REPRODUCTION IN PART OR AS A WHOLE WITHOUT THE WRITTEN PERMISSION OF UNIVERSITY OF IDAHO, ME DEPARTMENT IS PROHIBITED.		DIMENSIONS ARE IN INCHES THIRD ANGLE PROJECTION		<b>BEESTEN WHEEL ASSY</b>	
DEFAULT TOLERANCES:		DESCRIPTION: OMNI WHEEL SLEEVE		UNIVERSITY OF IDAHO ME DEPARTMENT	
LINEAR: X. ± .25 X.X ± .1 X.XX ± .01 X.XXX ± .002	ANGULAR: X. ± 2 X.X ± 1 X.XX ± 0 30'	CHECKED BY: XXXXXXXXXX	DATE: XX/XX/XX	PART #:	QTY:
		FILE NAME: BEESTEN-03_05.SLDPRT	DATE: 12/15/2014	SCALE: 1:1	SHEET: 1 OF 1

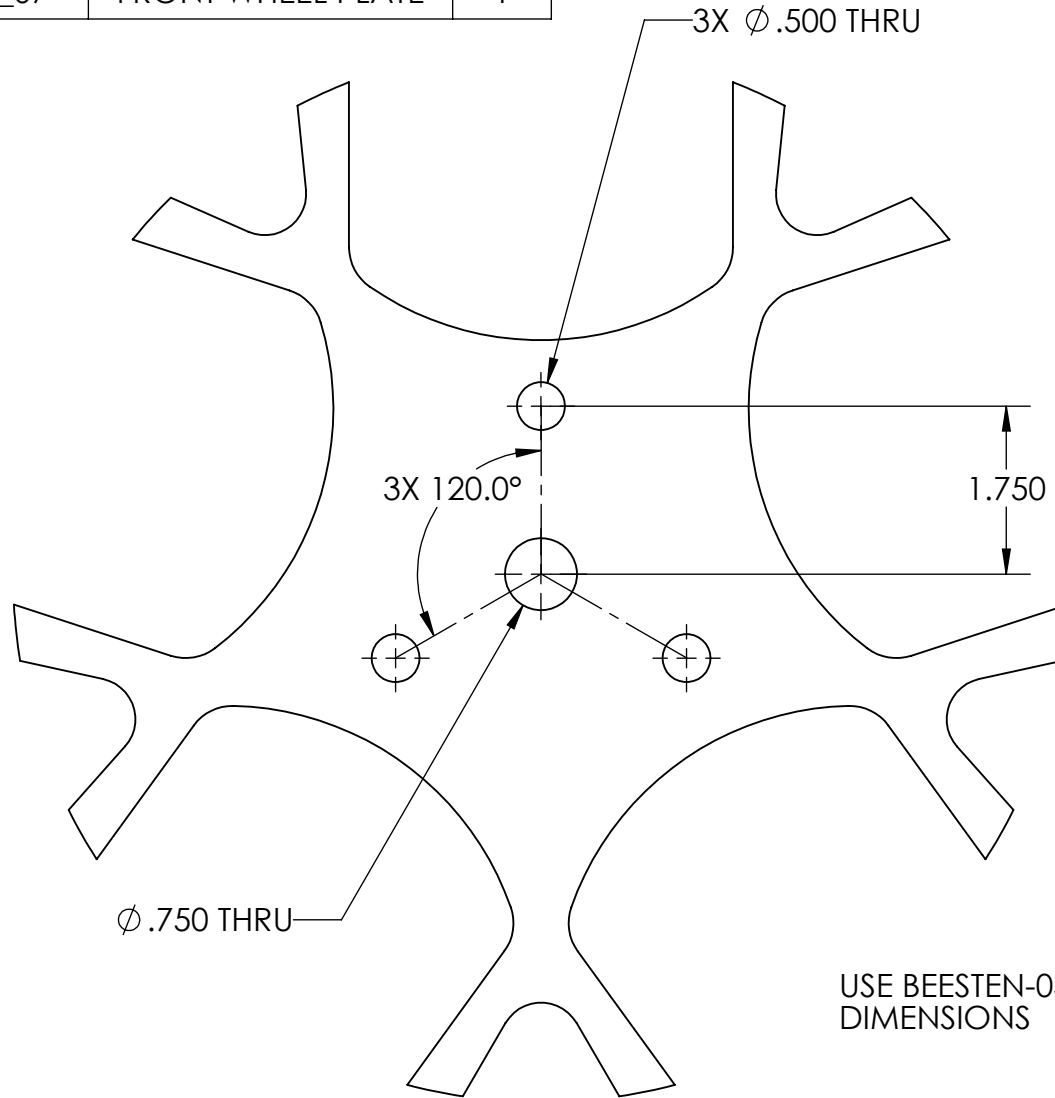
ITEM NO.	PART NUMBER	DESCRIPTION	QTY.
1	BEESTEN-03_06	OMNI WHEEL ROLLER SHAFT	1



<b>PROPRIETARY AND CONFIDENTIAL</b> THE INFORMATION CONTAINED IN THIS DRAWING IS THE SOLE PROPERTY OF UNIVERSITY OF IDAHO, ME DEPARTMENT. ANY REPRODUCTION IN PART OR AS A WHOLE WITHOUT THE WRITTEN PERMISSION OF UNIVERSITY OF IDAHO, ME DEPARTMENT IS PROHIBITED.		DIMENSIONS ARE IN INCHES THIRD ANGLE PROJECTION 		<b>BEESTEN WHEEL ASSY</b>	
DEFAULT TOLERANCES: LINEAR: X. ± .25 X.X ± .1 X.XX ± .01 X.XXX ± .002		DESCRIPTION: OMNI WHEEL ROLLER SHAFT CHECKED BY: XXXXXXXXXXXX DATE: XX/XX/XX DRAWN BY: FILE NAME: BEESTEN-03_06.SLDPRT			
ANGULAR: X. ± 2 X.X ± 1 X.XX ± 0 30'		DATE: 12/15/2014		<b>UNIVERSITY OF IDAHO ME DEPARTMENT</b>	
		SCALE: 1:1		PART #: QTY: SHEET: 1 OF 1	

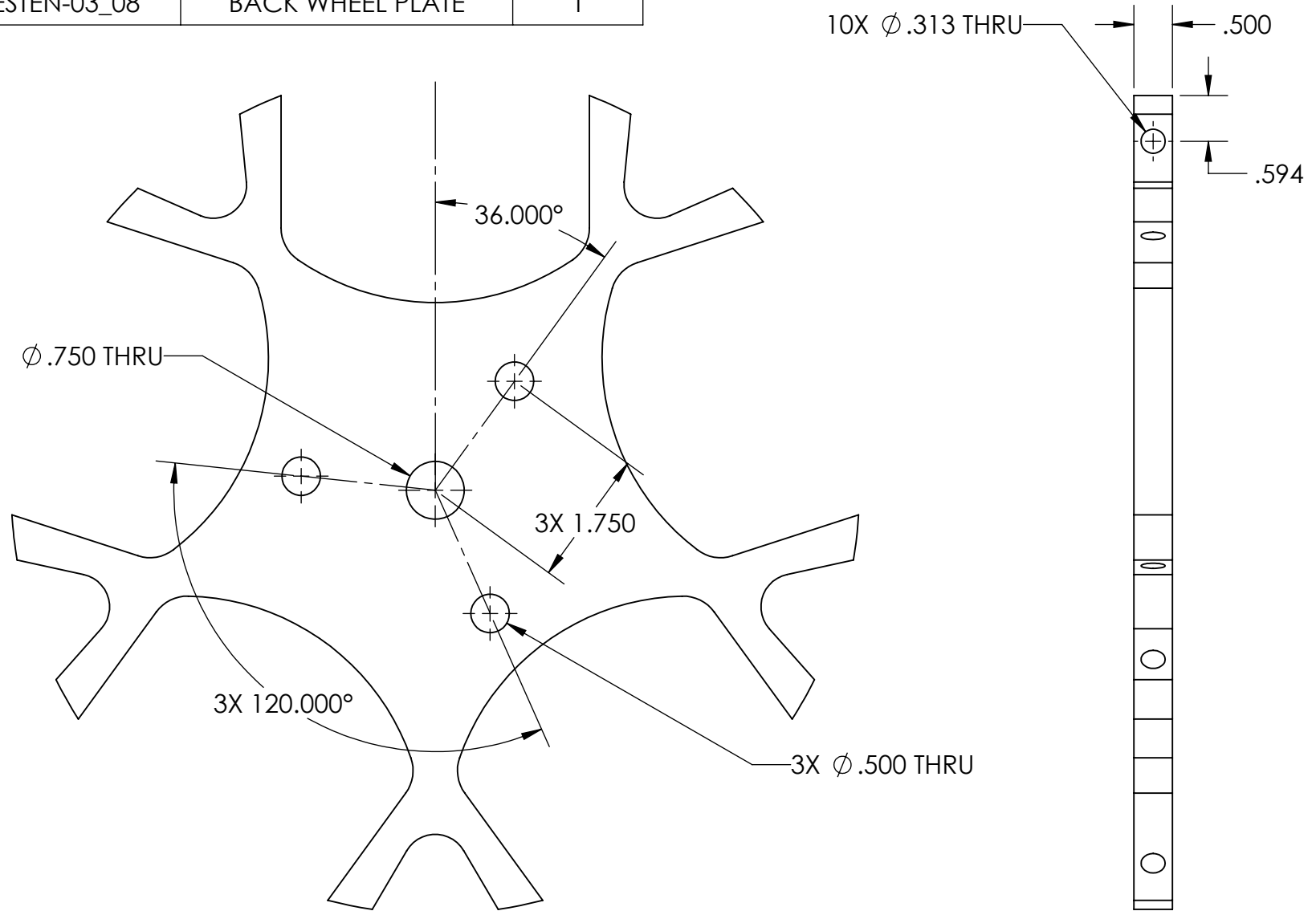


ITEM NO.	PART NUMBER	DESCRIPTION	QTY.
1	BEESTEN-03_07	FRONT WHEEL PLATE	1

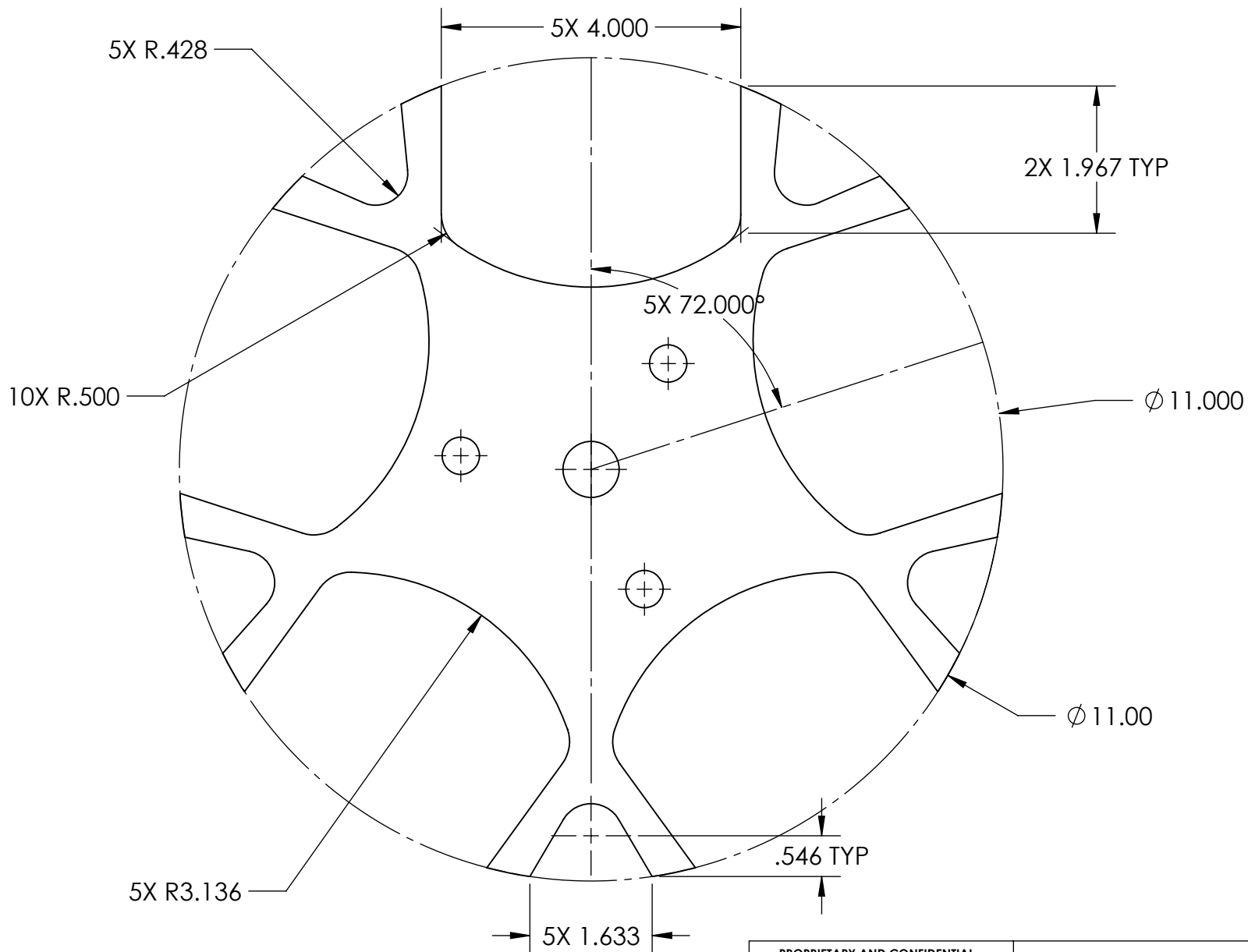


<b>PROPRIETARY AND CONFIDENTIAL</b> THE INFORMATION CONTAINED IN THIS DRAWING IS THE SOLE PROPERTY OF UNIVERSITY OF IDAHO, ME DEPARTMENT. ANY REPRODUCTION IN PART OR AS A WHOLE WITHOUT THE WRITTEN PERMISSION OF UNIVERSITY OF IDAHO, ME DEPARTMENT IS PROHIBITED.		DIMENSIONS ARE IN INCHES THIRD ANGLE PROJECTION		<b>BEESTEN OMNIWHEEL</b>	
DEFAULT TOLERANCES: LINEAR: X. ± .25 X.X ± .1 X.XX ± .01 X.XXX ± .002		DESCRIPTION: FRONT WHEEL PLATE CHECKED BY: XXXXXXXXXXXX DATE: XX/XX/XX DRAWN BY: DATE: 12/15/2014 FILE NAME: BEESTEN-03_07.SLDPRT			
UNIVERSITY OF IDAHO ME DEPARTMENT		PART #:		QTY:	
SCALE: 1:2		SHEET: 1 OF 1			

ITEM NO.	PART NUMBER	DESCRIPTION	QTY.
1	BEESTEN-03_08	BACK WHEEL PLATE	1

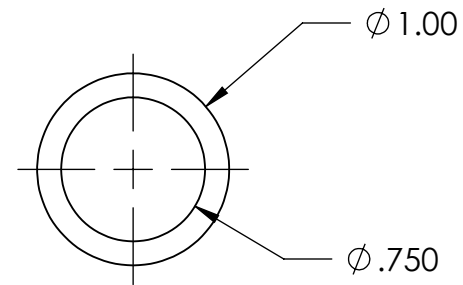
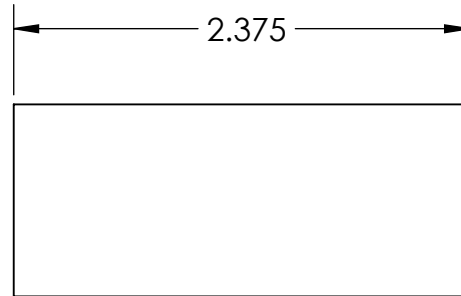
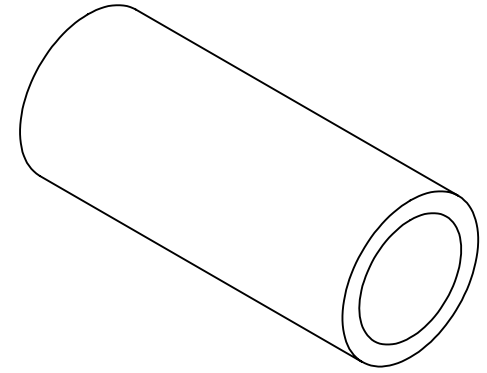


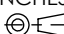
<b>PROPRIETARY AND CONFIDENTIAL</b> THE INFORMATION CONTAINED IN THIS DRAWING IS THE SOLE PROPERTY OF UNIVERSITY OF IDAHO, ME DEPARTMENT. ANY REPRODUCTION IN PART OR AS A WHOLE WITHOUT THE WRITTEN PERMISSION OF UNIVERSITY OF IDAHO, ME DEPARTMENT IS PROHIBITED.		DIMENSIONS ARE IN INCHES THIRD ANGLE PROJECTION		<b>BEESTEN OMNIWHEEL</b>	
DEFAULT TOLERANCES:		MATERIAL: 6061-T6 (SS)			
LINER: X. ± .25 X.X ± .1 X.XX ± .01 X.XXX ± .002	ANGULAR: X. ± 2 X.X ± 1 X.XX ± 0.30'	DESCRIPTION: BACK WHEEL PLATE		<b>UNIVERSITY OF IDAHO ME DEPARTMENT</b>	
		CHECKED BY: XXXXXXXXXXXX	DATE: XX/XX/XX		
		DRAWN BY:	DATE: 12/15/2014	PART #:	QTY:
		FILE NAME: BEESTEN-03_08.SLDPRT		SCALE: 1:2	SHEET: 1 OF 2



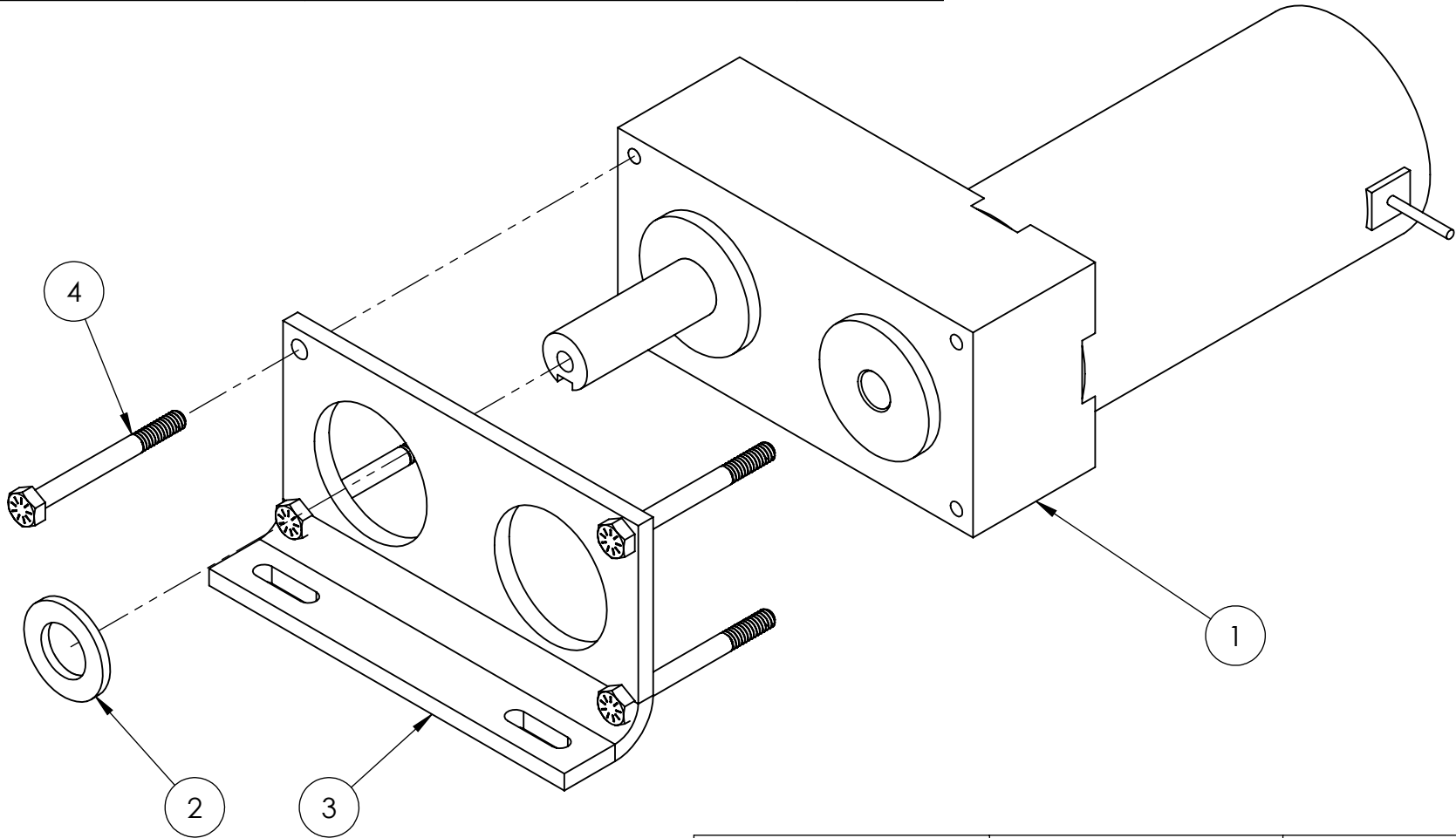
<b>PROPRIETARY AND CONFIDENTIAL</b> THE INFORMATION CONTAINED IN THIS DRAWING IS THE SOLE PROPERTY OF UNIVERSITY OF IDAHO, ME DEPARTMENT. ANY REPRODUCTION IN PART OR AS A WHOLE WITHOUT THE WRITTEN PERMISSION OF UNIVERSITY OF IDAHO, ME DEPARTMENT IS PROHIBITED.		DIMENSIONS ARE IN INCHES THIRD ANGLE PROJECTION		<b>BEESTEN OMNIWHEEL</b>	
MATERIAL: 6061-T6 (SS)		DESCRIPTION: BACK WHEEL PLATE		<b>UNIVERSITY OF IDAHO ME DEPARTMENT</b>	
DEFAULT TOLERANCES: LINEAR: X. ± .25 X.X ± .1 X.XX ± .01 X.XXX ± .002 ANGULAR: X. ± 2 X.X ± 1 X.XX ± 0.30°		CHECKED BY: XXXXXXXXXXXX	DATE: XX/XX/XX	PART #:	QTY:
DRAWN BY:		DATE: 12/15/2014	FILE NAME: BEESTEN-03_08.SLDPRT		SCALE: 1:2
				SHEET: 2 OF 2	

ITEM NO.	PART NUMBER	DESCRIPTION	QTY.	MATERIAL
1	BEESTEN-03_09	WHEEL SPACER	1	5052-H32



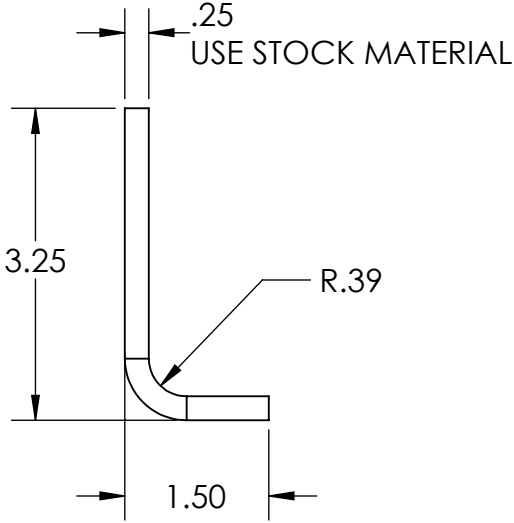
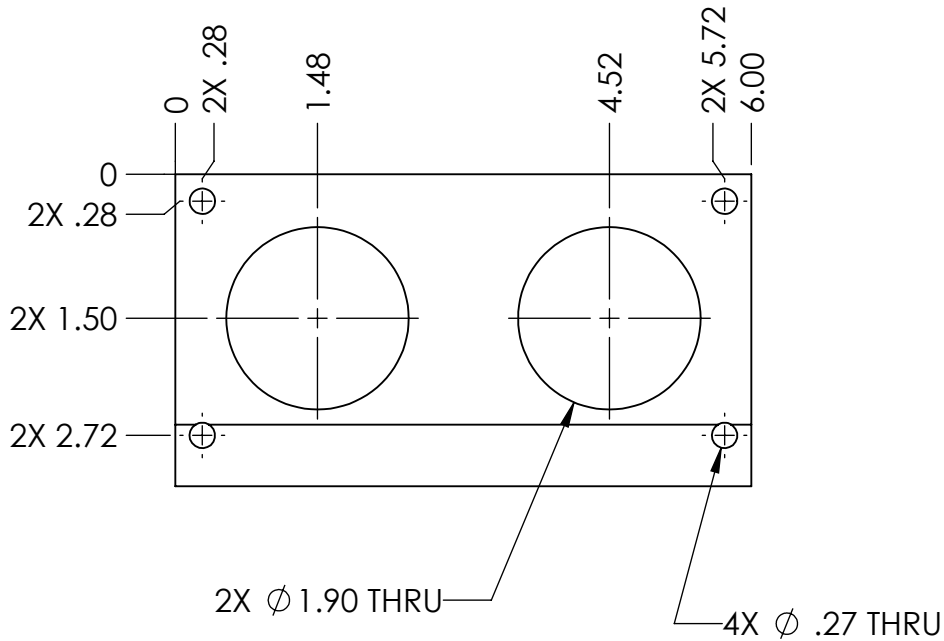
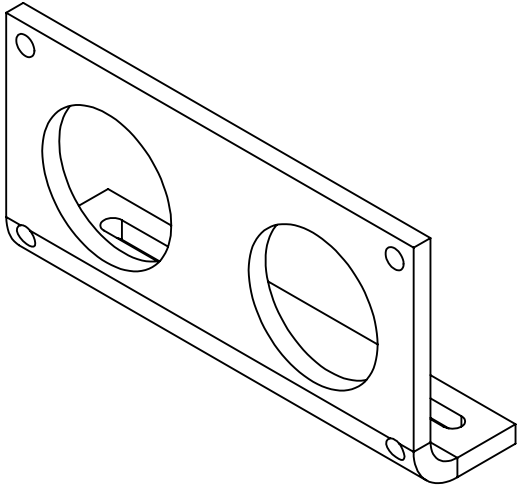
<b>PROPRIETARY AND CONFIDENTIAL</b> THE INFORMATION CONTAINED IN THIS DRAWING IS THE SOLE PROPERTY OF UNIVERSITY OF IDAHO, ME DEPARTMENT. ANY REPRODUCTION IN PART OR AS A WHOLE WITHOUT THE WRITTEN PERMISSION OF UNIVERSITY OF IDAHO, ME DEPARTMENT IS PROHIBITED.		DIMENSIONS ARE IN INCHES THIRD ANGLE PROJECTION 		<b>BEESTEN OMNIWHEEL</b>	
DEFAULT TOLERANCES: LINEAR: X. ± .25 X.X ± .1 X.XX ± .01 X.XXX ± .002		MATERIAL: 5052-H32			
ANGULAR: X. ± 2 X.X ± 1 X.XX ± 0 30'		DESCRIPTION: WHEEL SPACER		<b>UNIVERSITY OF IDAHO ME DEPARTMENT</b>	
CHECKED BY: XXXXXXXXXXXX		DATE: XX/XX/XX			
DRAWN BY:		DATE: 12/15/2014		PART #:	QTY:
FILE NAME: BEESTEN-03_09.SLDPRT		SCALE: 1:1		SHEET: 1 OF 1	

ITEM NO.	PART NUMBER	DESCRIPTION	right side/QTY.
1	0-E30400-G	AMPFLOW E30-400 MOTOR	1
2	SP-35FB11x.75	SMALL SPROCKET	1
3	BEESTEN-04_01	MOTOR MOUNTING BRACKET	1
4	90201A121	1/4"-20 SCREW 2.5"	4



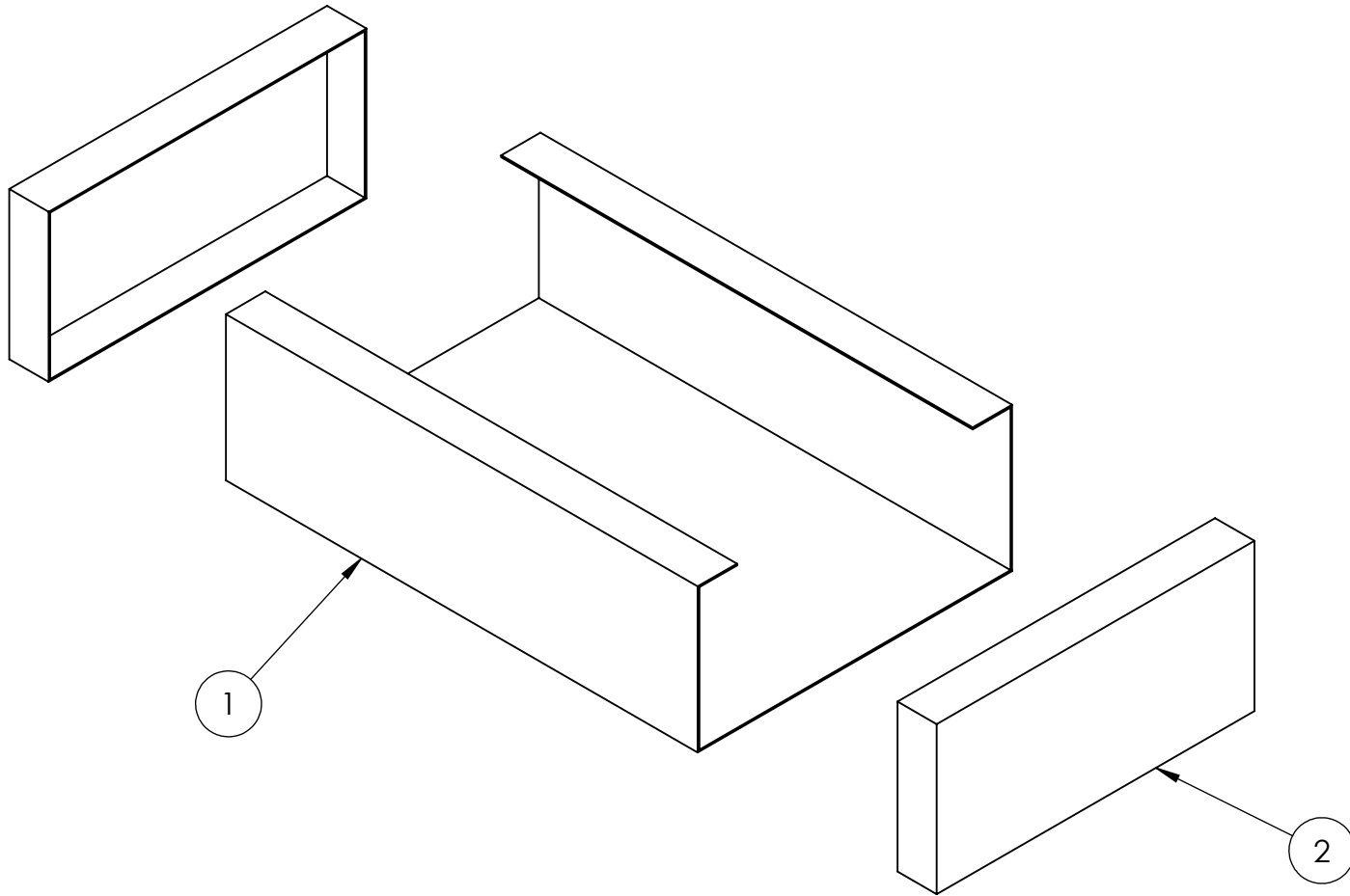
<b>PROPRIETARY AND CONFIDENTIAL</b> THE INFORMATION CONTAINED IN THIS DRAWING IS THE SOLE PROPERTY OF UNIVERSITY OF IDAHO, ME DEPARTMENT. ANY REPRODUCTION IN PART OR AS A WHOLE WITHOUT THE WRITTEN PERMISSION OF UNIVERSITY OF IDAHO, ME DEPARTMENT IS PROHIBITED.		DIMENSIONS ARE IN INCHES THIRD ANGLE PROJECTION		<b>MOTOR ASSY</b>	
DEFAULT TOLERANCES:		DESCRIPTION: MOTOR ASSY		<b>UNIVERSITY OF IDAHO ME DEPARTMENT</b>	
LINER: X. ± .25 X.X ± .1 X.XX ± .01 X.XXX ± .002	ANGULAR: X. ± 2 X.X ± 1 X.XX ± 0 30'	CHECKED BY: XXXXXXXXXX	DATE: XX/XX/XX	PART #:	QTY:
		DRAWN BY:	DATE: 12/15/2014	SCALE: 1:2	SHEET: 1 OF 1
		FILE NAME: BEESTEN-04_00.SLDPRT			

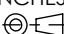
ITEM NO.	PART NUMBER	DESCRIPTION	QTY.
1	BEESTEN-04_01	MOTOR MOUNTING BRACKET	1



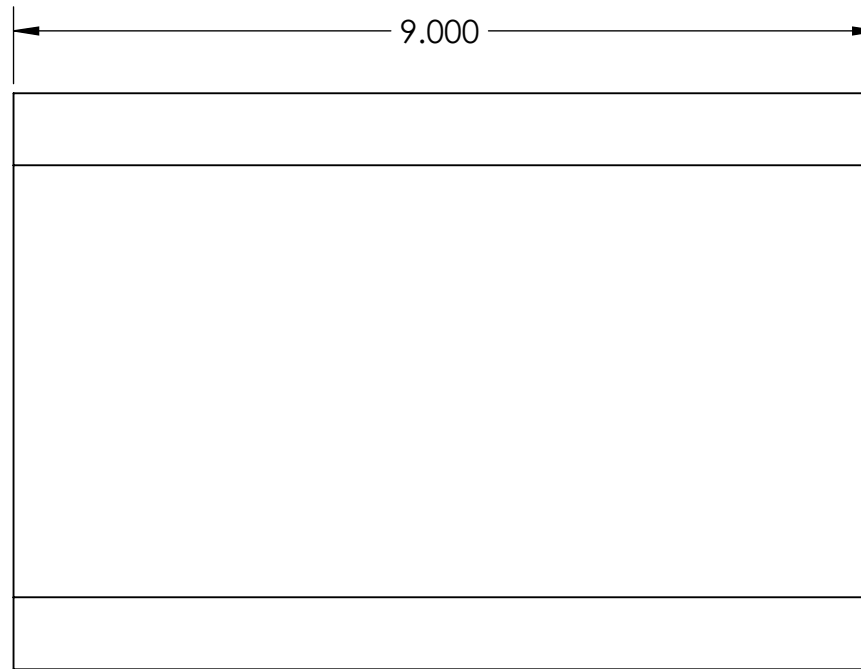
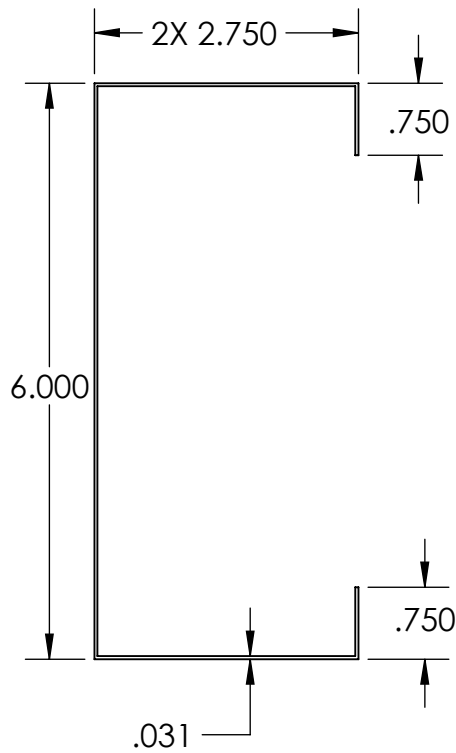
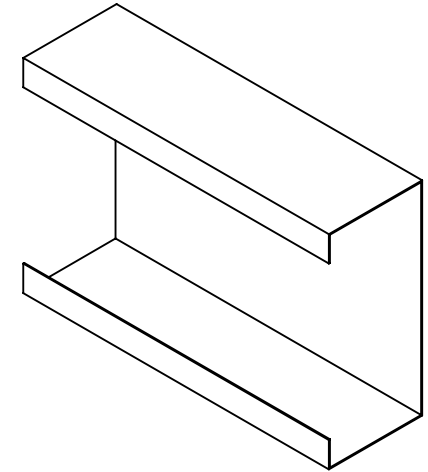
<b>PROPRIETARY AND CONFIDENTIAL</b> THE INFORMATION CONTAINED IN THIS DRAWING IS THE SOLE PROPERTY OF UNIVERSITY OF IDAHO, ME DEPARTMENT. ANY REPRODUCTION IN PART OR AS A WHOLE WITHOUT THE WRITTEN PERMISSION OF UNIVERSITY OF IDAHO, ME DEPARTMENT IS PROHIBITED.		DIMENSIONS ARE IN INCHES THIRD ANGLE PROJECTION		MOTOR ASSY	
DEFAULT TOLERANCES:		DESCRIPTION: MOTOR MOUNTING BRACKET		MATERIAL: 5052-H32	
LINEAR: X. $\pm$ .25 X.X $\pm$ .1 X.XX $\pm$ .01 X.XXX $\pm$ .002	ANGULAR: X. $\pm$ 2 X.X $\pm$ 1 X.XX $\pm$ 0 30'	CHECKED BY: XXXXXXXXXX	DATE: XX/XX/XX	UNIVERSITY OF IDAHO ME DEPARTMENT	
DRAWN BY:		DATE: 12/15/2014	PART #:	QTY:	
FILE NAME: BEESTEN-04_01.SLDPRT		SCALE: 1:2	SHEET: 1 OF 1		

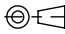
ITEM NO.	PART NUMBER	DESCRIPTION	QTY.
1	BEESTEN-05_01	BACK OF ELECTRIC BOX	1
2	BEESTEN-05_02	ELECTRIC BOX END CAPS	2



<b>PROPRIETARY AND CONFIDENTIAL</b> THE INFORMATION CONTAINED IN THIS DRAWING IS THE SOLE PROPERTY OF UNIVERSITY OF IDAHO, ME DEPARTMENT. ANY REPRODUCTION IN PART OR AS A WHOLE WITHOUT THE WRITTEN PERMISSION OF UNIVERSITY OF IDAHO, ME DEPARTMENT IS PROHIBITED.		DIMENSIONS ARE IN INCHES THIRD ANGLE PROJECTION 		<b>ELECTRONICS BOX</b>	
DEFAULT TOLERANCES: LINEAR: X. ± .25 X.X ± .1 X.XX ± .01 X.XXX ± .002		MATERIAL: Galvanized Steel			
ANGULAR: X. ± 2 X.X ± 1 X.XX ± 0 30'		DESCRIPTION: Box for electric equipment near wheels		<b>UNIVERSITY OF IDAHO ME DEPARTMENT</b>	
DRAWN BY: Amanda White		DATE: 12/15/2014		PART #: 5-00	QTY: 3
FILE NAME: BEESTEN-05_00.SLDPRT		SCALE: 2:5		SHEET: 1 OF 1	

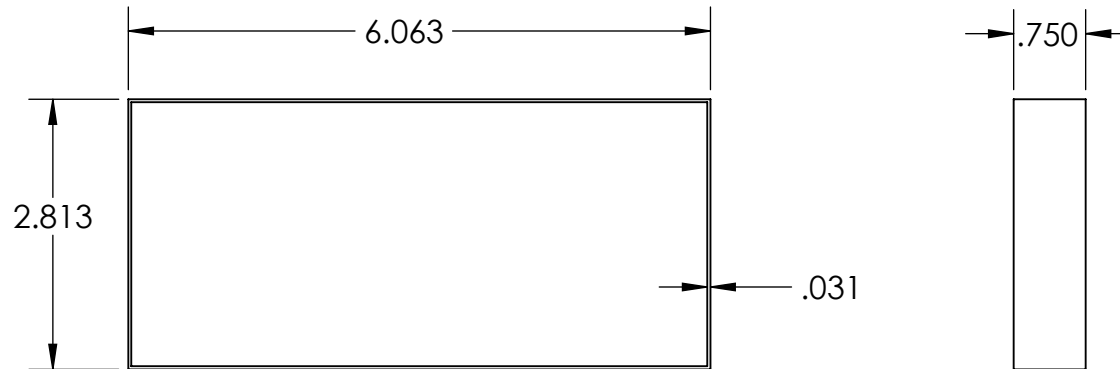
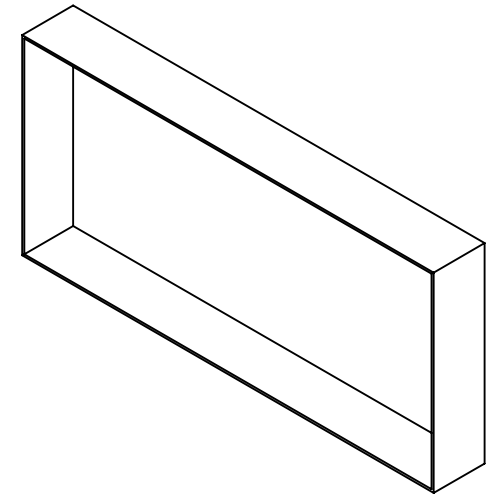
ITEM NO.	PART NUMBER	DESCRIPTION	QTY.
1	BEESTEN-05_01	BACK OF ELECTRIC BOX	1

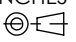


<b>PROPRIETARY AND CONFIDENTIAL</b> THE INFORMATION CONTAINED IN THIS DRAWING IS THE SOLE PROPERTY OF UNIVERSITY OF IDAHO, ME DEPARTMENT. ANY REPRODUCTION IN PART OR AS A WHOLE WITHOUT THE WRITTEN PERMISSION OF UNIVERSITY OF IDAHO, ME DEPARTMENT IS PROHIBITED.		DIMENSIONS ARE IN INCHES THIRD ANGLE PROJECTION 		<b>ELECTRONICS BOX</b>	
DEFAULT TOLERANCES:		MATERIAL: Galvanized Steel			
LINEAR: X. ± .25 X.X ± .1 X.XX ± .01 X.XXX ± .002	ANGULAR: X. ± 2 X.X ± 1 X.XX ± 0 30'	DESCRIPTION: BACK OF ELECTRIC BOX		<b>UNIVERSITY OF IDAHO ME DEPARTMENT</b>	
		CHECKED BY: XXXXXXXXXX	DATE: XX/XX/XX		
		DRAWN BY: Amanda White		DATE: 12/15/2014	SCALE: 1:2
		FILE NAME: BEESTEN-05_01.SLDPRT		SHEET: 1 OF 1	

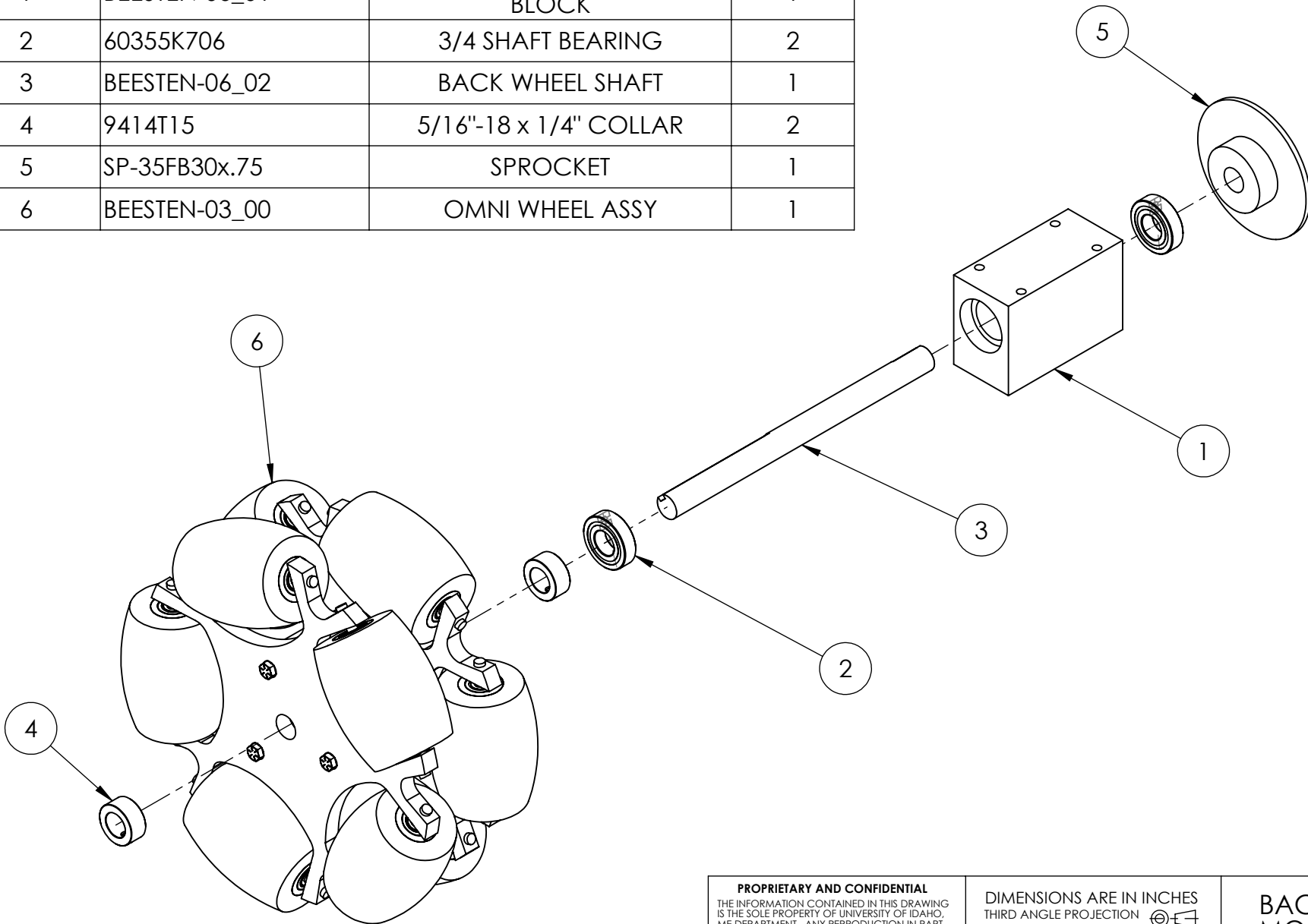


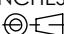
ITEM NO.	PART NUMBER	DESCRIPTION	QTY.
1	BEESTEN-05_02	ELECTRIC BOX END CAPS	1



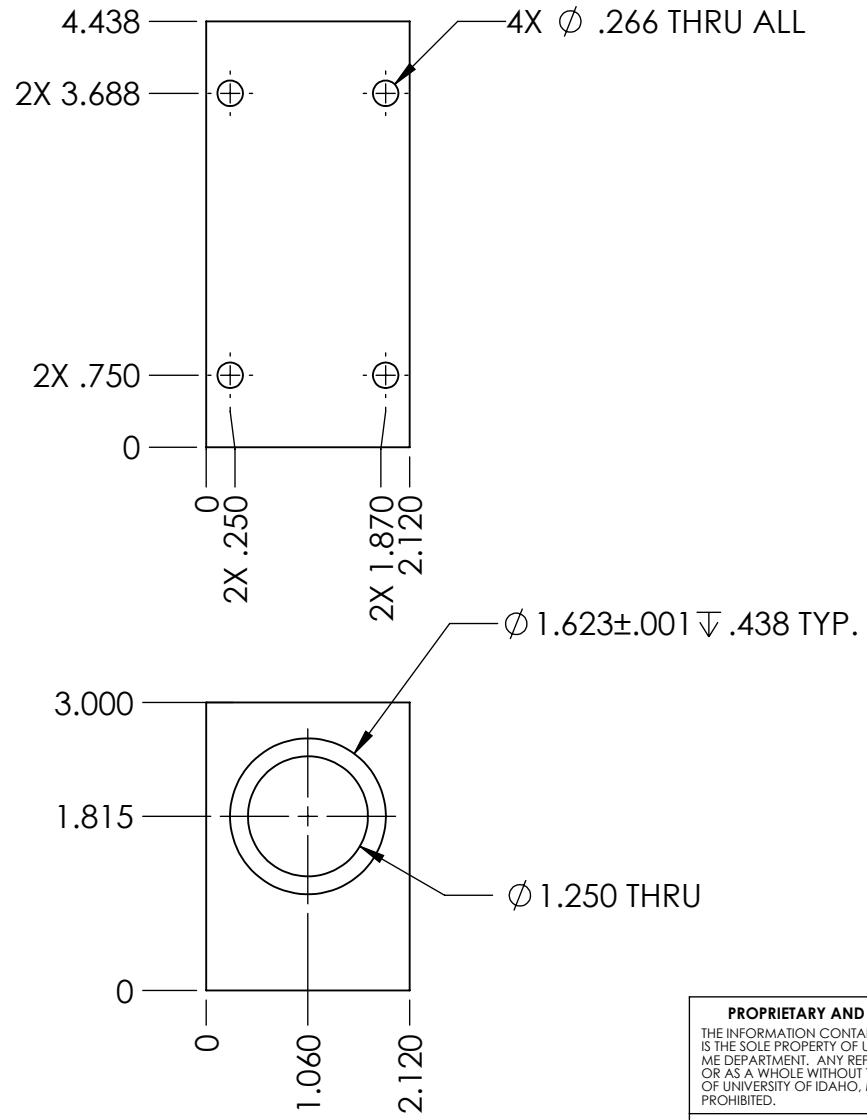
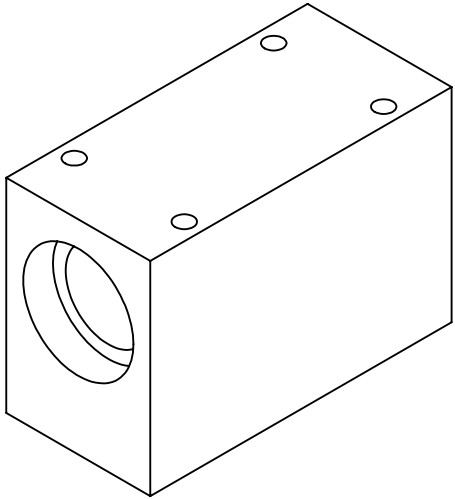
<b>PROPRIETARY AND CONFIDENTIAL</b> THE INFORMATION CONTAINED IN THIS DRAWING IS THE SOLE PROPERTY OF UNIVERSITY OF IDAHO, ME DEPARTMENT. ANY REPRODUCTION IN PART OR AS A WHOLE WITHOUT THE WRITTEN PERMISSION OF UNIVERSITY OF IDAHO, ME DEPARTMENT IS PROHIBITED.		DIMENSIONS ARE IN INCHES THIRD ANGLE PROJECTION 		<b>ELECTRONICS BOX</b>	
DEFAULT TOLERANCES: LINEAR: X. ± .25 X.X ± .1 X.XX ± .01 X.XXX ± .002		DESCRIPTION: ELECTRIC BOX END CAPS			
ANGULAR: X. ± 2 X.X ± 1 X.XX ± 0 30'		CHECKED BY: XXXXXXXXXX	DATE: XX/XX/XX	PART #: -	QTY: -
		MATERIAL: Galvanized Steel		SCALE: 1:2	SHEET: 1 OF 1
		DRAWN BY: Amanda White	DATE: 12/15/2014		
		FILE NAME: BEESTEN-05_02.SLDPR1			

ITEM NO.	PART NUMBER	DESCRIPTION	QTY.
1	BEESTEN-06_01	BACK WHEEL MOUNTING BLOCK	1
2	60355K706	3/4 SHAFT BEARING	2
3	BEESTEN-06_02	BACK WHEEL SHAFT	1
4	9414T15	5/16"-18 x 1/4" COLLAR	2
5	SP-35FB30x.75	SPROCKET	1
6	BEESTEN-03_00	OMNI WHEEL ASSY	1



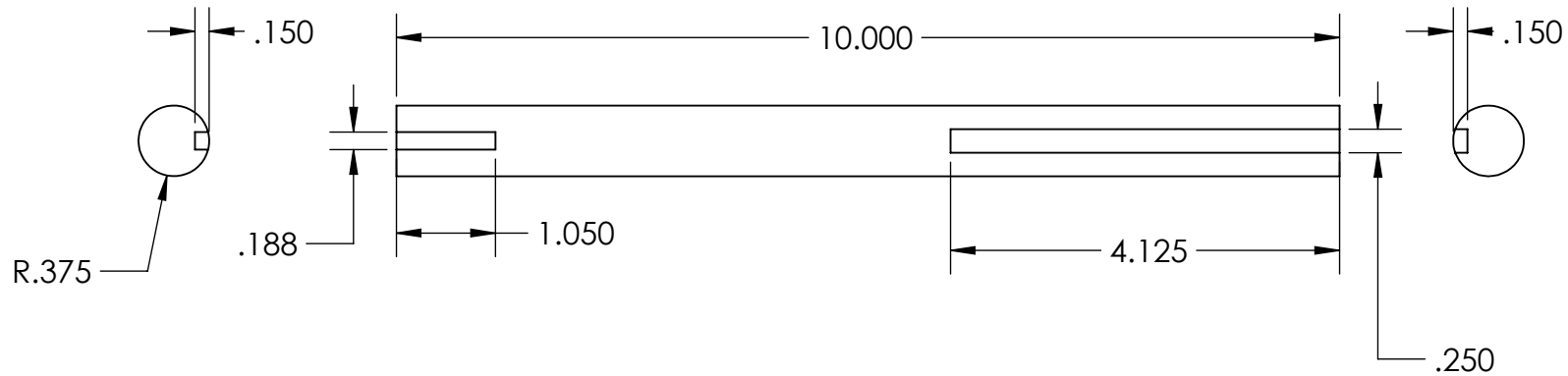
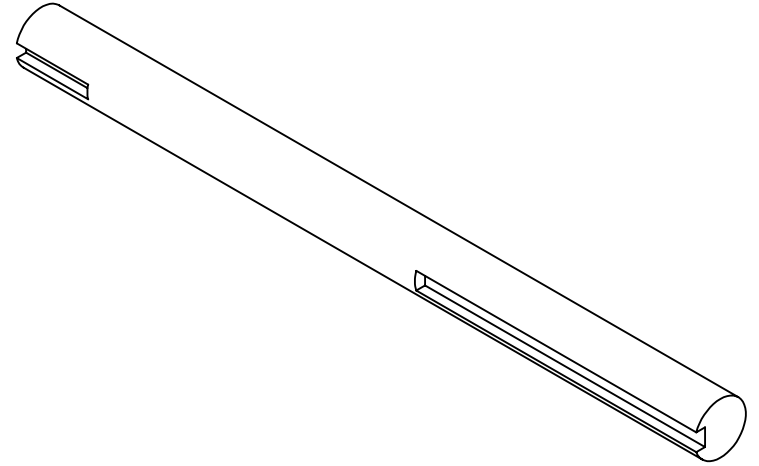
<b>PROPRIETARY AND CONFIDENTIAL</b> THE INFORMATION CONTAINED IN THIS DRAWING IS THE SOLE PROPERTY OF UNIVERSITY OF IDAHO, ME DEPARTMENT. ANY REPRODUCTION IN PART OR AS A WHOLE WITHOUT THE WRITTEN PERMISSION OF UNIVERSITY OF IDAHO, ME DEPARTMENT IS PROHIBITED.		DIMENSIONS ARE IN INCHES THIRD ANGLE PROJECTION 		<b>BACK WHEEL MOUNT ASSY</b>	
DEFAULT TOLERANCES:		DESCRIPTION: BACK WHEEL MOUNT ASSY		<b>UNIVERSITY OF IDAHO ME DEPARTMENT</b>	
LINEAR: X. ± .25 X.X ± .1 X.XX ± .01 X.XXX ± .002	ANGULAR: X. ± 2 X.X ± 1 X.XX ± 0 30'	CHECKED BY: XXXXXXXXXX	DATE: XX/XX/XX	PART #:	QTY:
DRAWN BY:		DATE: 12/15/2014	SCALE: 1:4		SHEET: 1 OF 1
FILE NAME: BEESTEN-06_00.SLDPRT					

ITEM NO.	PART NUMBER	DESCRIPTION	QTY.
1	BEESTEN-06_01	BACK WHEEL MOUNTING BLOCK	1



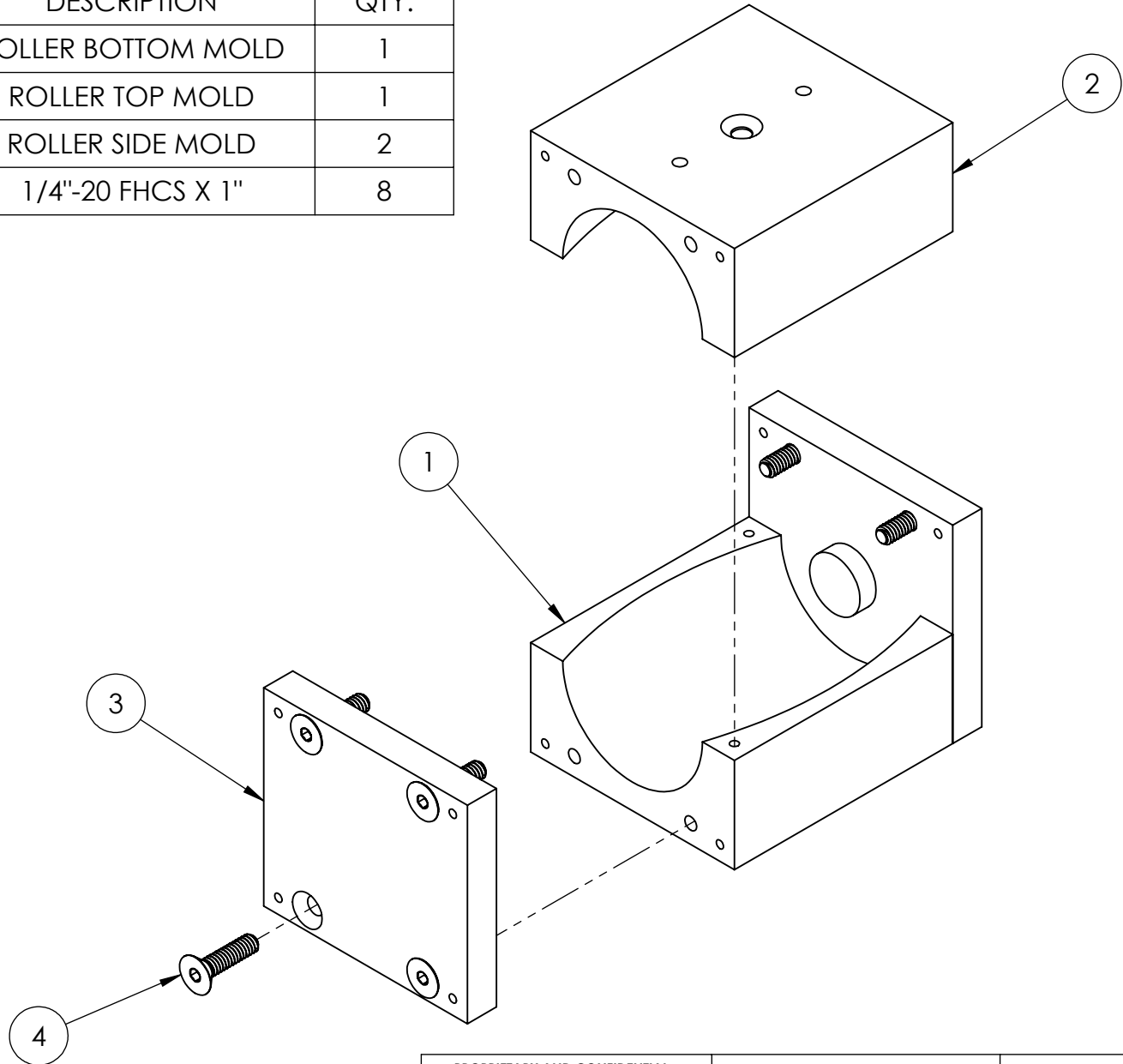
<b>PROPRIETARY AND CONFIDENTIAL</b> THE INFORMATION CONTAINED IN THIS DRAWING IS THE SOLE PROPERTY OF UNIVERSITY OF IDAHO, ME DEPARTMENT. ANY REPRODUCTION IN PART OR AS A WHOLE WITHOUT THE WRITTEN PERMISSION OF UNIVERSITY OF IDAHO, ME DEPARTMENT IS PROHIBITED.		DIMENSIONS ARE IN INCHES THIRD ANGLE PROJECTION		<b>BACK WHEEL MOUNT ASSY</b>	
DEFAULT TOLERANCES:		DESCRIPTION: BACK WHEEL MOUNTING BLOCK		MATERIAL: 6061 Alloy	
LINER:	ANGULAR:	CHECKED BY: XXXXXXXXXX	DATE: XX/XX/XX	<b>UNIVERSITY OF IDAHO ME DEPARTMENT</b>	
X. $\pm$ .25	X. $\pm$ 2	DRAWN BY:	DATE: 12/15/2014	PART #:	QTY:
X.X $\pm$ .1	X.X $\pm$ 1	FILE NAME: BEESTEN-06_01.SLDPRT	SCALE: 1:2	SHEET: 1 OF 1	
X.XX $\pm$ .01	X.XX $\pm$ 0 30'				
X.XXX $\pm$ .002					

ITEM NO.	PART NUMBER	DESCRIPTION	QTY.
1	BEESTEN-06_02	BACK WHEEL SHAFT	1



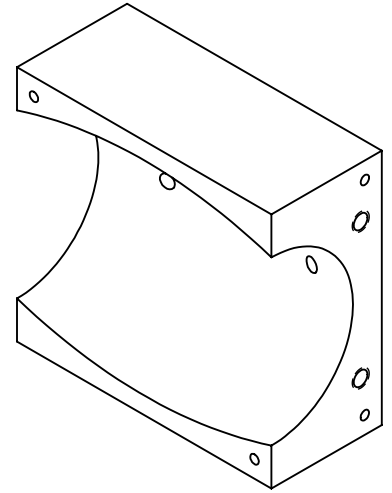
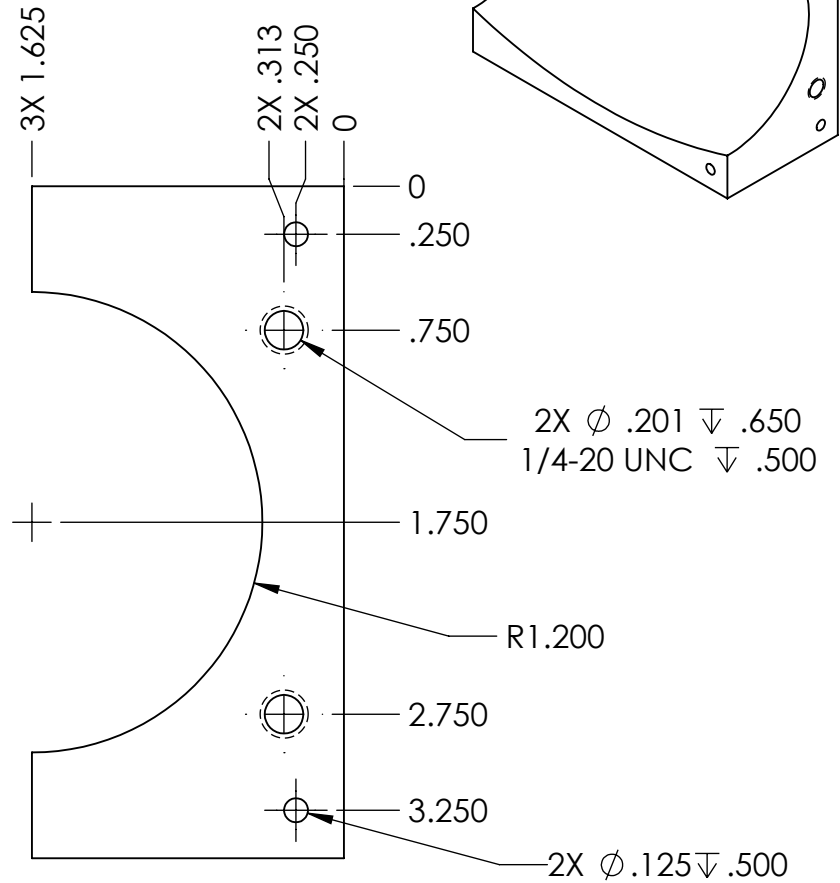
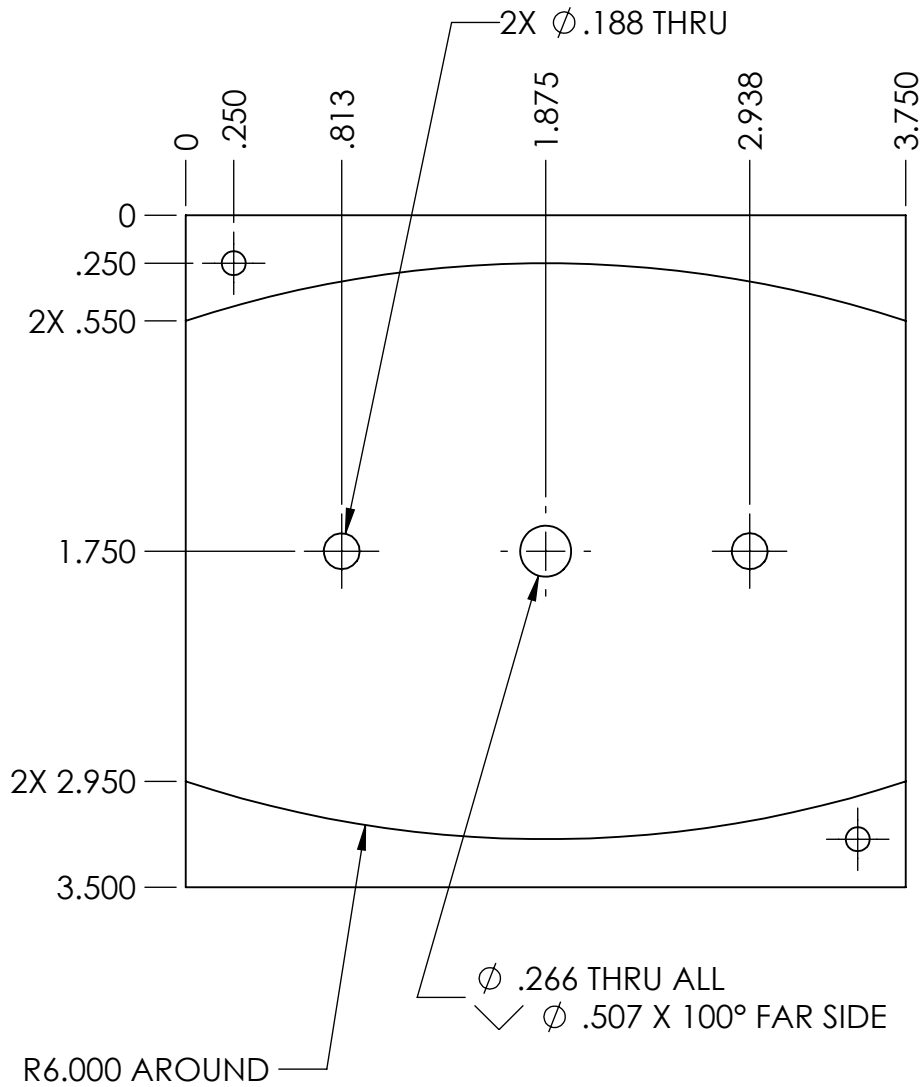
<b>PROPRIETARY AND CONFIDENTIAL</b> THE INFORMATION CONTAINED IN THIS DRAWING IS THE SOLE PROPERTY OF UNIVERSITY OF IDAHO, ME DEPARTMENT. ANY REPRODUCTION IN PART OR AS A WHOLE WITHOUT THE WRITTEN PERMISSION OF UNIVERSITY OF IDAHO, ME DEPARTMENT IS PROHIBITED.		DIMENSIONS ARE IN INCHES THIRD ANGLE PROJECTION		<b>BACK WHEEL MOUNT ASSY</b>	
DEFAULT TOLERANCES:		DESCRIPTION: BACK WHEEL SHAFT		UNIVERSITY OF IDAHO ME DEPARTMENT	
LINER:	ANGULAR:	CHECKED BY: XXXXXXXXXX	DATE: XX/XX/XX	PART #:	QTY:
X. ± .25	X. ± 2	DRAWN BY:	DATE: 12/11/2014	SCALE: 1:2	SHEET: 1 OF 1
X.X ± .1	X.X ± 1	FILE NAME: BEESTEN-06_02.SLDPRT			
X.XX ± .01	X.XX ± 0.30'				
X.XXX ± .002					

ITEM NO.	PART NUMBER	DESCRIPTION	QTY.
1	BEESTEN-07_02	ROLLER BOTTOM MOLD	1
2	BEESTEN-07_01	ROLLER TOP MOLD	1
3	BEESTEN-07_03	ROLLER SIDE MOLD	2
4	91253A542	1/4"-20 FHCS X 1"	8



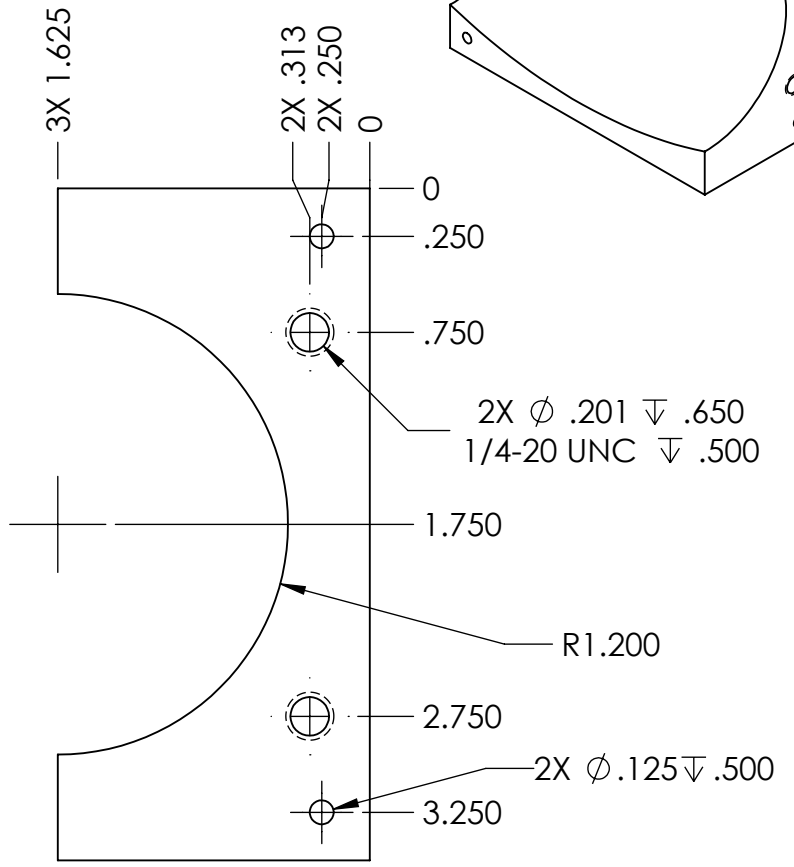
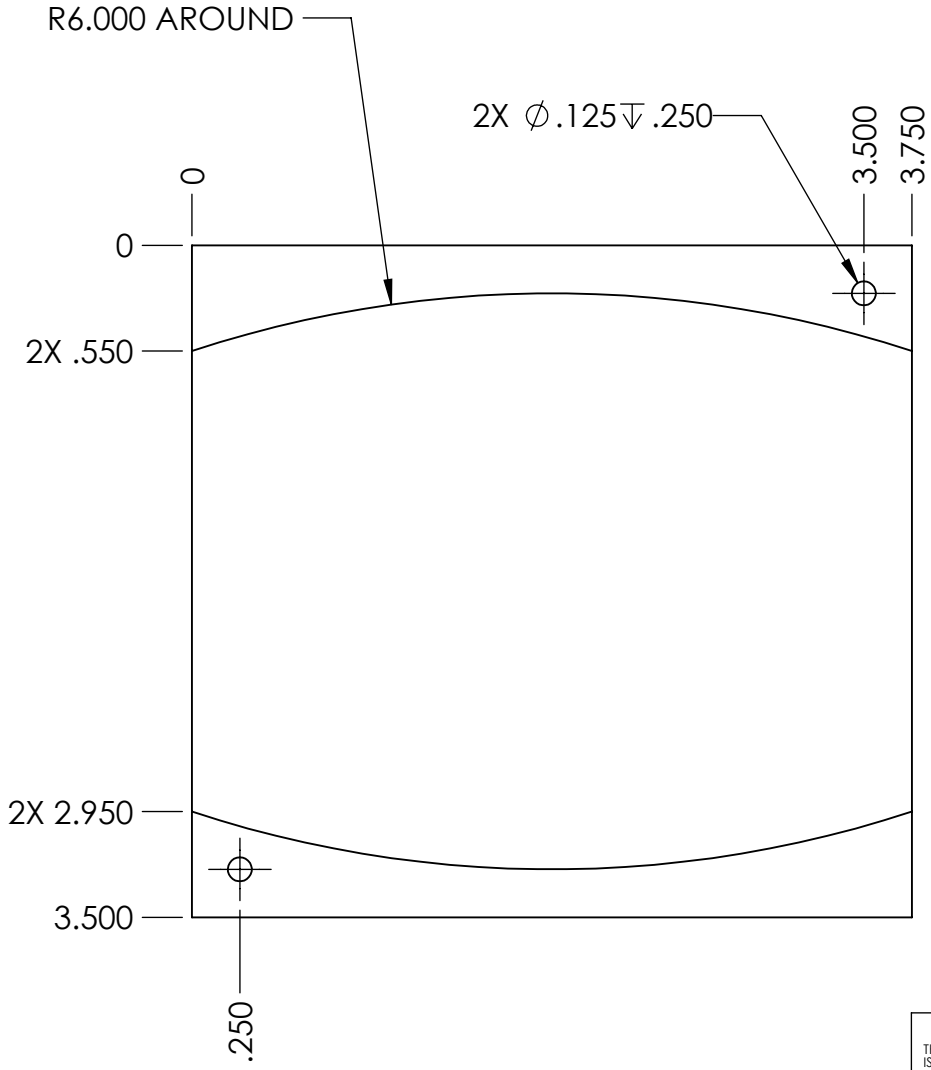
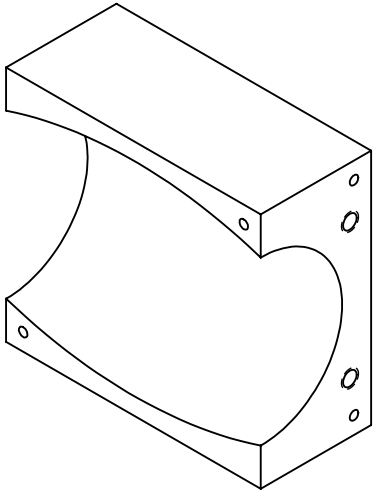
<b>PROPRIETARY AND CONFIDENTIAL</b> THE INFORMATION CONTAINED IN THIS DRAWING IS THE SOLE PROPERTY OF UNIVERSITY OF IDAHO, ME DEPARTMENT. ANY REPRODUCTION IN PART OR AS A WHOLE WITHOUT THE WRITTEN PERMISSION OF UNIVERSITY OF IDAHO, ME DEPARTMENT IS PROHIBITED.		DIMENSIONS ARE IN INCHES THIRD ANGLE PROJECTION		<b>ROLLER MOLD</b>	
DEFAULT TOLERANCES:		DESCRIPTION:		<b>UNIVERSITY OF IDAHO ME DEPARTMENT</b>	
LINEAR: X. ± .25 X.X ± .1 X.XX ± .01 X.XXX ± .002	ANGULAR: X. ± 2 X.X ± 1 X.XX ± 0 30'	CHECKED BY: XXXXXXXXXX	DATE: XX/XX/XX	PART #:	QTY:
		DRAWN BY:	DATE: 12/16/2014	SCALE: 1:2	SHEET: 1 OF 1
		FILE NAME: BEESTEN-07_00.SLDPRT			

ITEM NO.	PART NUMBER	DESCRIPTION	QTY.
1	BEESTEN-07_01	ROLLER TOP MOLD	1



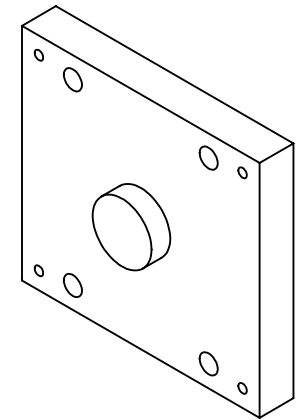
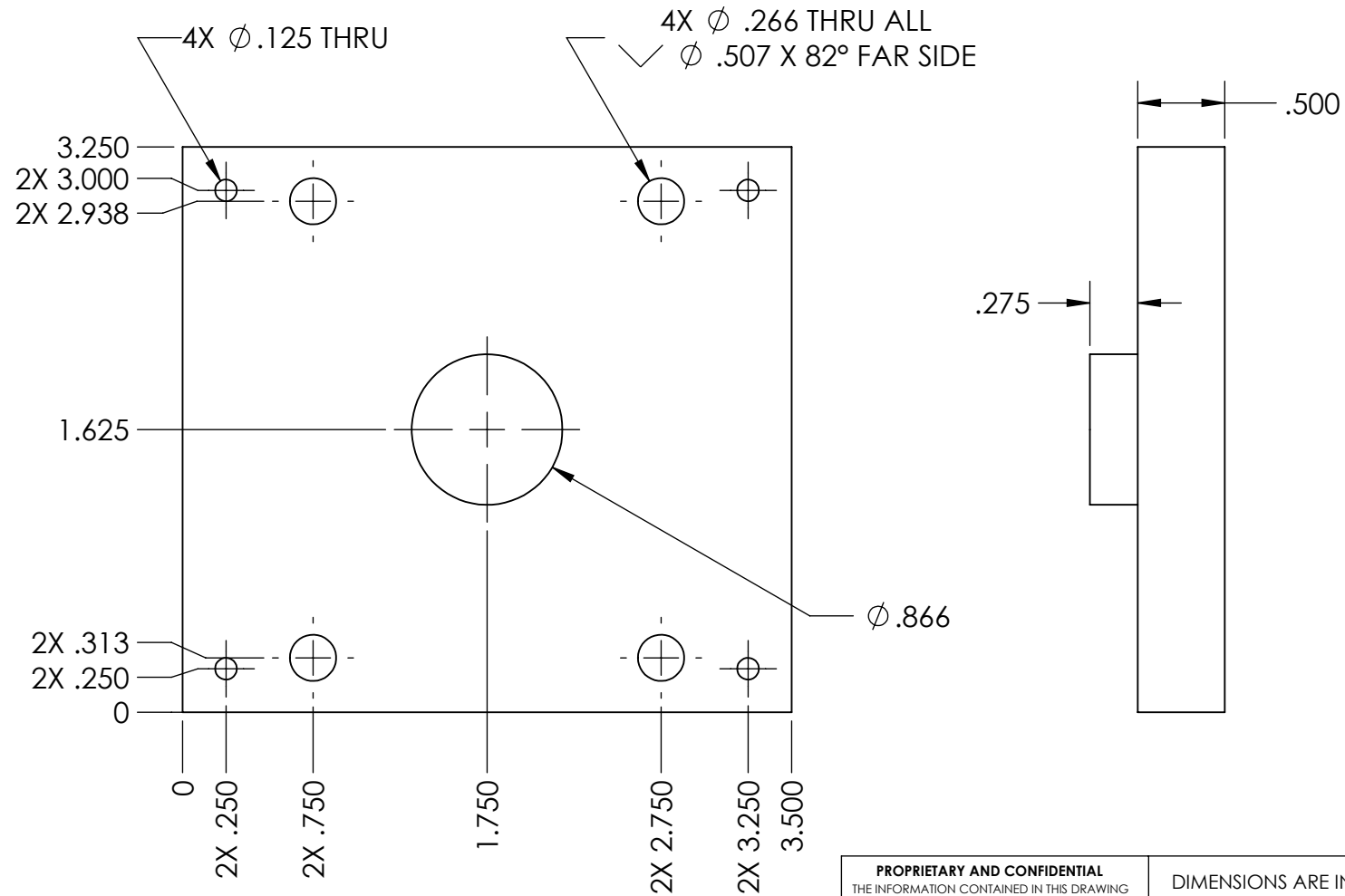
<b>PROPRIETARY AND CONFIDENTIAL</b> THE INFORMATION CONTAINED IN THIS DRAWING IS THE SOLE PROPERTY OF UNIVERSITY OF IDAHO, ME DEPARTMENT. ANY REPRODUCTION IN PART OR AS A WHOLE WITHOUT THE WRITTEN PERMISSION OF UNIVERSITY OF IDAHO, ME DEPARTMENT IS PROHIBITED.		DIMENSIONS ARE IN INCHES THIRD ANGLE PROJECTION		<b>ROLLER MOLD</b>	
DEFAULT TOLERANCES:		DESCRIPTION: ROLLER TOP MOLD		MATERIAL: PVC 0.007 Plasticized	
LINEAR: X. ± .25 X.X ± .1 X.XX ± .01 X.XXX ± .002	ANGULAR: X. ± 2 X.X ± 1 X.XX ± 0.30'	CHECKED BY: XXXXXXXXXX	DATE: XX/XX/XX	<b>UNIVERSITY OF IDAHO ME DEPARTMENT</b>	
		DRAWN BY:	DATE: 12/16/2014	PART #:	QTY:
		FILE NAME: BEESTEN-07_01.SLDPRT	SCALE: 1:1	SHEET: 1 OF 1	

ITEM NO.	PART NUMBER	DESCRIPTION	QTY.
1	BEESTEN-07_02	ROLLER BOTTOM MOLD	1



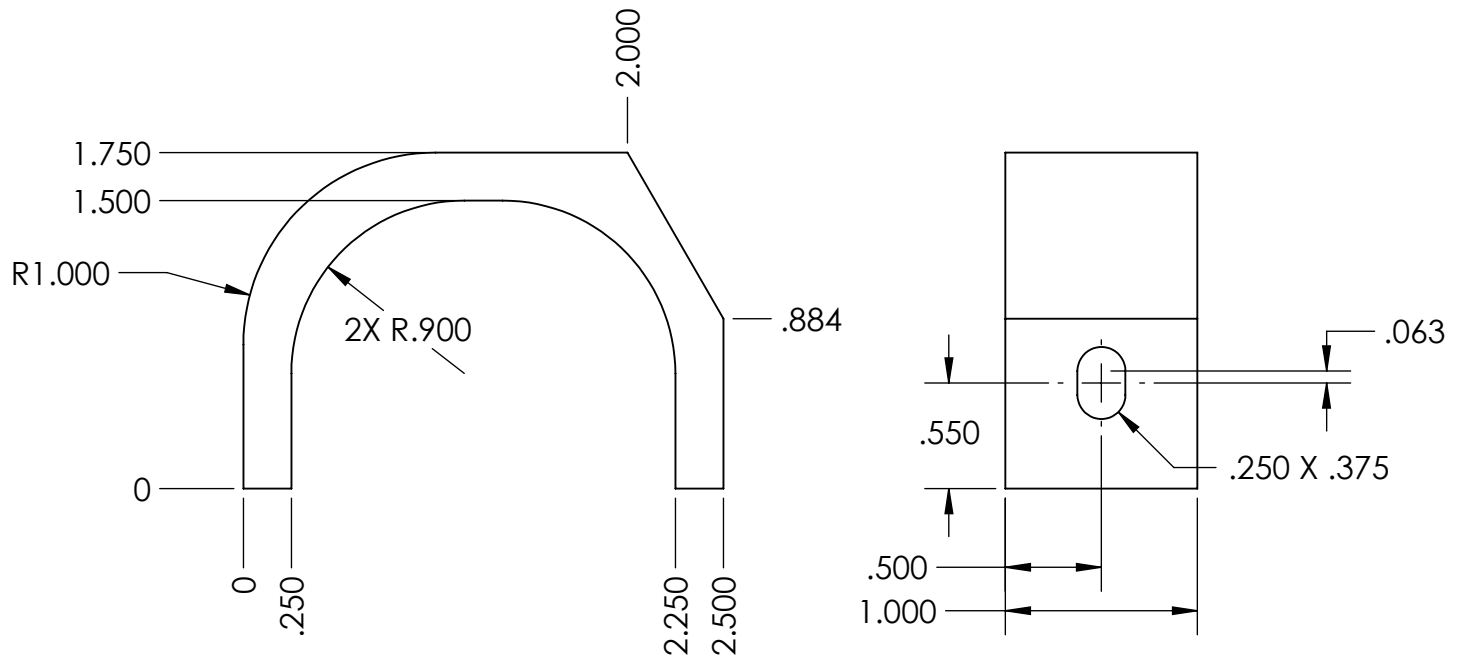
<b>PROPRIETARY AND CONFIDENTIAL</b> THE INFORMATION CONTAINED IN THIS DRAWING IS THE SOLE PROPERTY OF UNIVERSITY OF IDAHO, ME DEPARTMENT. ANY REPRODUCTION IN PART OR AS A WHOLE WITHOUT THE WRITTEN PERMISSION OF UNIVERSITY OF IDAHO, ME DEPARTMENT IS PROHIBITED.		DIMENSIONS ARE IN INCHES THIRD ANGLE PROJECTION		<b>ROLLER MOLD</b>	
DEFAULT TOLERANCES:		DESCRIPTION: ROLLER BOTTOM MOLD		MATERIAL: PVC 0.007 Plasticized	
LINEAR: X. ± .25 X.X ± .1 X.XX ± .01 X.XXX ± .002	ANGULAR: X. ± 2 X.X ± 1 X.XX ± 0.30'	CHECKED BY: XXXXXXXXXX	DATE: XX/XX/XX	<b>UNIVERSITY OF IDAHO ME DEPARTMENT</b>	
		DRAWN BY:	DATE: 12/16/2014	PART #:	QTY:
		FILE NAME: BEESTEN-07_02.SLDPRT	SCALE: 1:1	SHEET: 1 OF 1	

ITEM NO.	PART NUMBER	DESCRIPTION	QTY.
1	BEESTEN-07_03	ROLLER SIDE MOLD	1

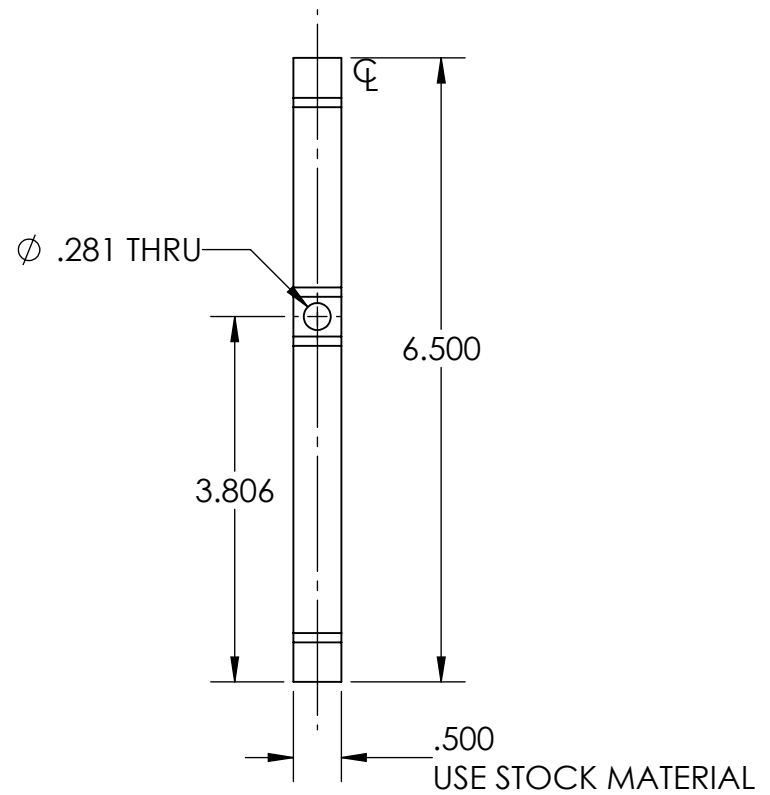
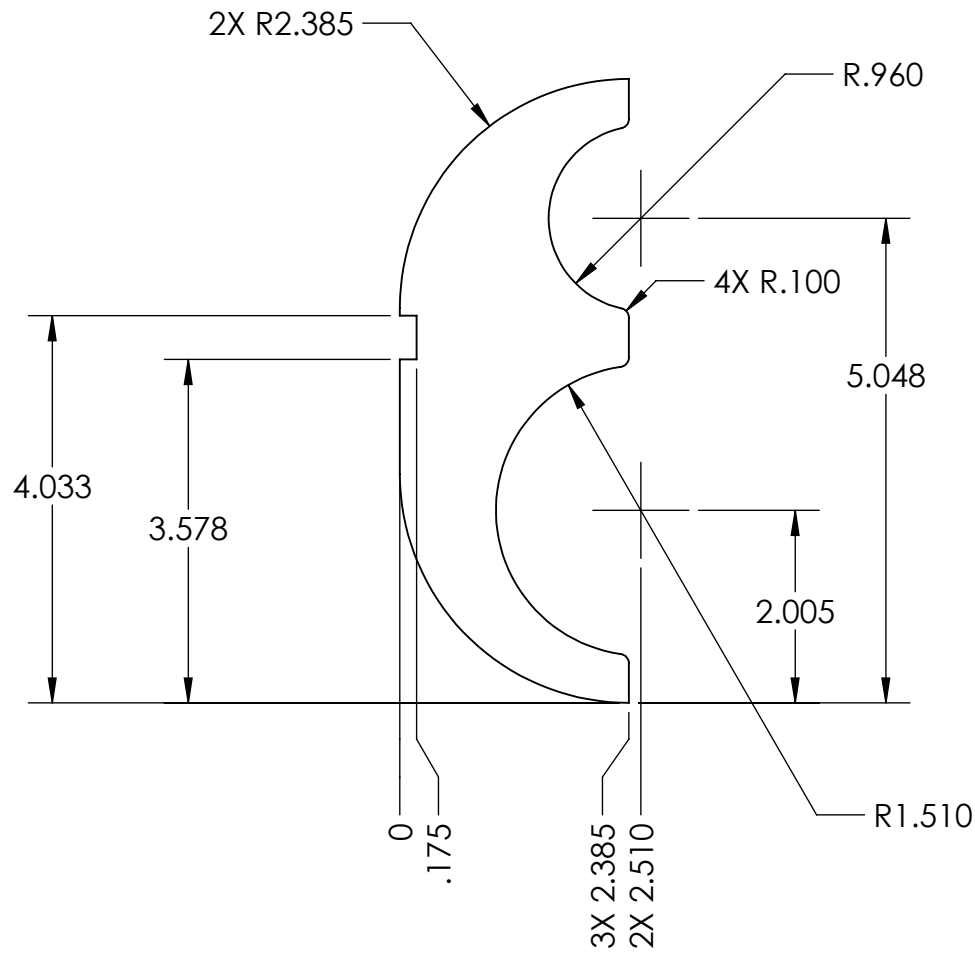


<b>PROPRIETARY AND CONFIDENTIAL</b> THE INFORMATION CONTAINED IN THIS DRAWING IS THE SOLE PROPERTY OF UNIVERSITY OF IDAHO, ME DEPARTMENT. ANY REPRODUCTION IN PART OR AS A WHOLE WITHOUT THE WRITTEN PERMISSION OF UNIVERSITY OF IDAHO, ME DEPARTMENT IS PROHIBITED.		DIMENSIONS ARE IN INCHES THIRD ANGLE PROJECTION		ROLLER MOLD	
DEFAULT TOLERANCES:		DESCRIPTION: ROLLER SIDE MOLD		MATERIAL: PVC 0.007 Plasticized	
LINEAR: X. $\pm$ .25 X.X $\pm$ .1 X.XX $\pm$ .01 X.XXX $\pm$ .002	ANGULAR: X. $\pm$ 2 X.X $\pm$ 1 X.XX $\pm$ 0 30'	CHECKED BY: XXXXXXXXXX	DATE: XX/XX/XX	UNIVERSITY OF IDAHO ME DEPARTMENT	
DRAWN BY:		DATE: 12/16/2014	PART #:	QTY:	
FILE NAME: BEESTEN-07_03.SLDPRT		SCALE: 1:1	SHEET: 1 OF 1		





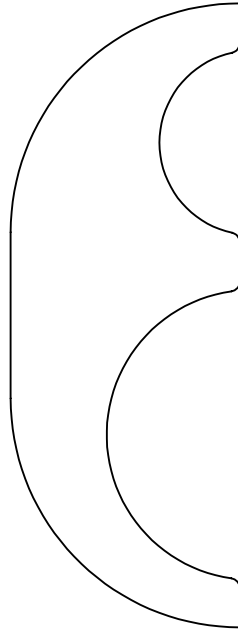
<b>PROPRIETARY AND CONFIDENTIAL</b> THE INFORMATION CONTAINED IN THIS DRAWING IS THE SOLE PROPERTY OF UNIVERSITY OF IDAHO, ME DEPARTMENT. ANY REPRODUCTION IN PART OR AS A WHOLE WITHOUT THE WRITTEN PERMISSION OF UNIVERSITY OF IDAHO, ME DEPARTMENT IS PROHIBITED.		DIMENSIONS ARE IN INCHES THIRD ANGLE PROJECTION		<b>BAR BRACKET</b>	
		MATERIAL:			
DEFAULT TOLERANCES: LINEAR: X. ± .25 X.X ± .1 X.XX ± .01 X.XXX ± .002 ANGULAR: X. ± 2 X.X ± 1 X.XX ± 0 30'		DESCRIPTION: DRUM MOUNT CLAMP		<b>UNIVERSITY OF IDAHO ME DEPARTMENT</b>	
		CHECKED BY: XXXXXXXXXXXX	DATE: XX/XX/XX		
		DRAWN BY:	DATE: 4/28/2015	SCALE: 1:1	
		FILE NAME: BEESTEN-08- 04.SLDPRT		SHEET: 1 OF 1	



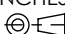
CONFIG -1

<b>PROPRIETARY AND CONFIDENTIAL</b> THE INFORMATION CONTAINED IN THIS DRAWING IS THE SOLE PROPERTY OF UNIVERSITY OF IDAHO, ME DEPARTMENT. ANY REPRODUCTION IN PART OR AS A WHOLE WITHOUT THE WRITTEN PERMISSION OF UNIVERSITY OF IDAHO, ME DEPARTMENT IS PROHIBITED.		DIMENSIONS ARE IN INCHES THIRD ANGLE PROJECTION		<b>BANDBEESTEN MOUNT</b>	
		MATERIAL:			
DEFAULT TOLERANCES: LINEAR: X. ± .25 X.X ± .1 X.XX ± .01 X.XXX ± .002		DESCRIPTION: CHECKED BY: XXXXXXXXXXXX DATE: XX/XX/XX		<b>UNIVERSITY OF IDAHO ME DEPARTMENT</b>	
ANGULAR: X. ± 2 X.X ± 1 X.XX ± 0.30'		DRAWN BY: DATE: 3/24/2015			
FILE NAME: BEESTEN-09_02.SLDPRT		SCALE: 1:2		SHEET: 1 OF 2	

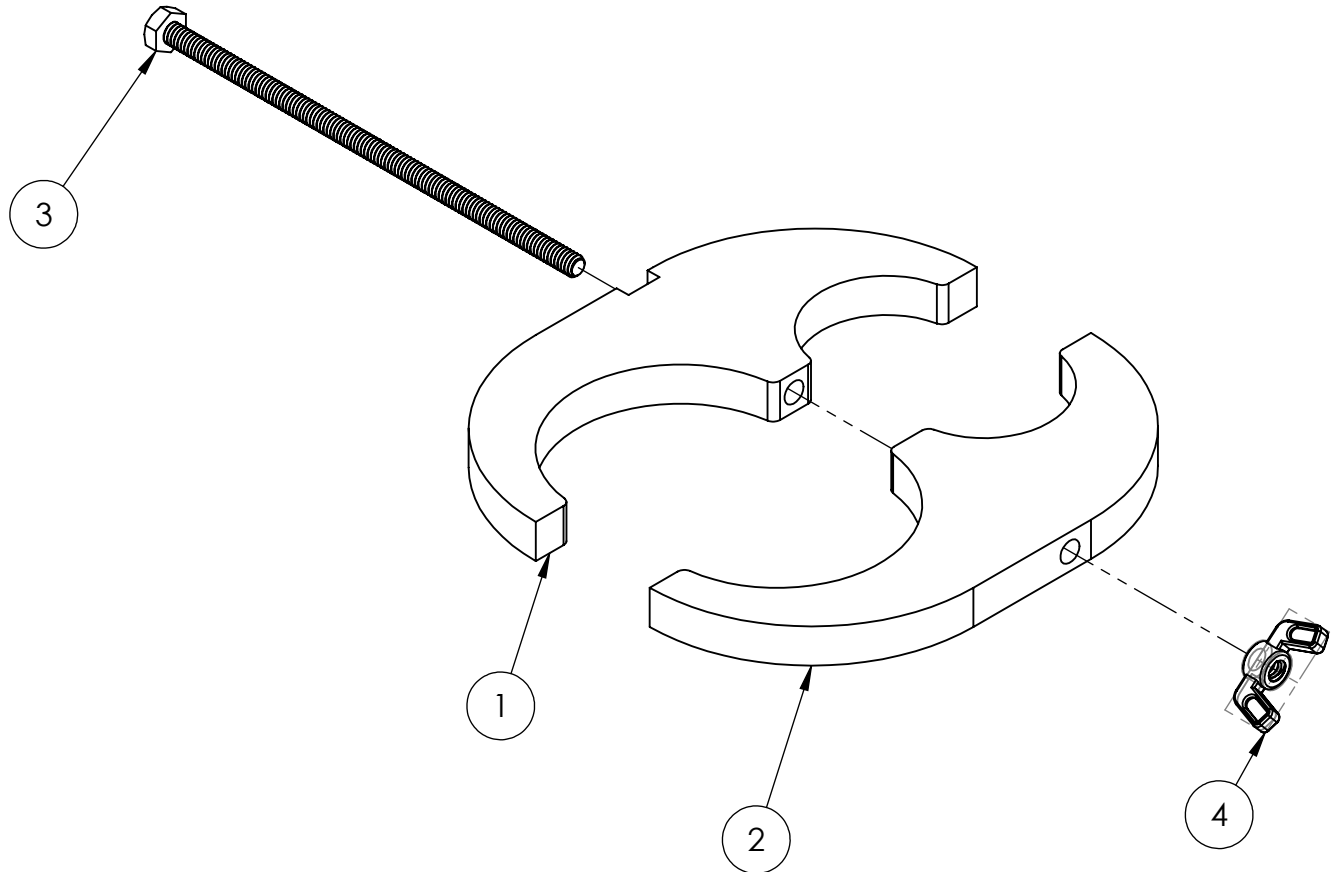
ALL DIMENSIONS THE SAME AS -2, JUST NO BOLT CUTOUT



CONFIG -2

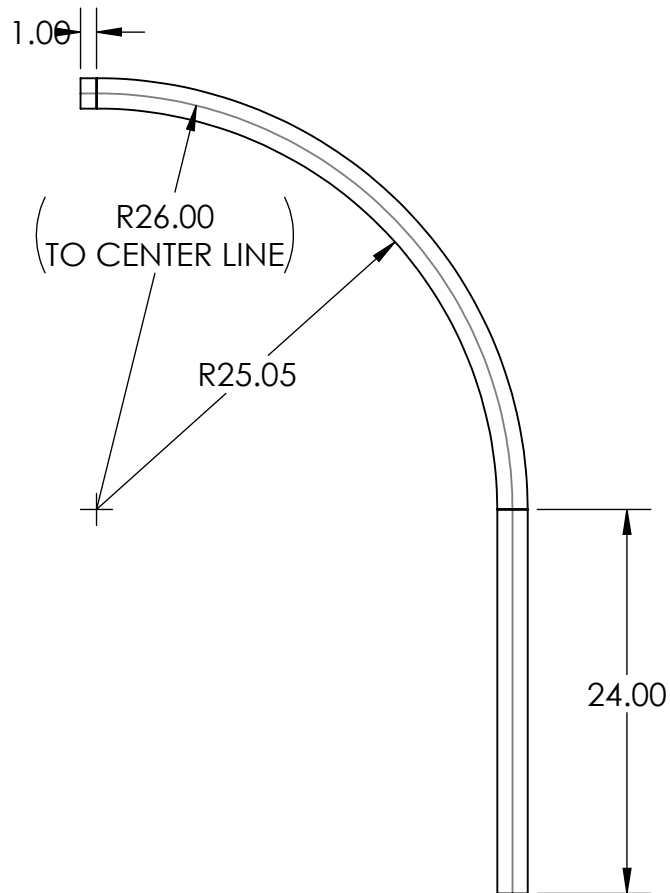
<b>PROPRIETARY AND CONFIDENTIAL</b> THE INFORMATION CONTAINED IN THIS DRAWING IS THE SOLE PROPERTY OF UNIVERSITY OF IDAHO, ME DEPARTMENT. ANY REPRODUCTION IN PART OR AS A WHOLE WITHOUT THE WRITTEN PERMISSION OF UNIVERSITY OF IDAHO, ME DEPARTMENT IS PROHIBITED.		DIMENSIONS ARE IN INCHES THIRD ANGLE PROJECTION 		<b>BANDBEESTEN MOUNT</b>	
<b>DEFAULT TOLERANCES:</b> LINEAR: X. ± .25 X.X ± .1 X.XX ± .01 X.XXX ± .002		MATERIAL:			
ANGULAR: X. ± 2 X.X ± 1 X.XX ± 0 30'		DESCRIPTION: CHECKED BY: XXXXXXXXXXXX DATE: XX/XX/XX		<b>UNIVERSITY OF IDAHO ME DEPARTMENT</b>	
DRAWN BY:		DATE: 3/24/2015			
FILE NAME: BEESTEN-09_02.SLDPRT		SCALE: 1:2		QTY: SHEET: 2 OF 2	

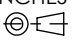
ITEM NO.	SW-File Name(File Name)	DESCRIPTION	QTY.
1	BEESTEN-09_02	BOLTSIDE TUBE CLAMP	1
2	BEESTEN-09_02	WINGSIDE TUBE CLAMP	1
3	92865A564	1/4-20 BOLT	1
4	MMC-98520A119	1/4-20 WING NUT	1



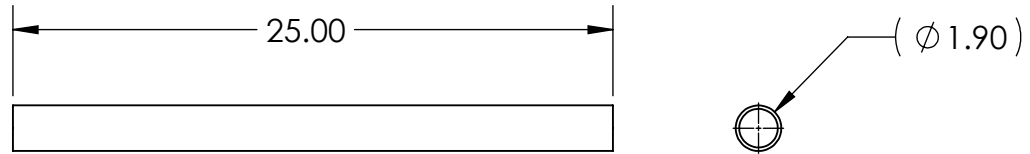
<b>PROPRIETARY AND CONFIDENTIAL</b> THE INFORMATION CONTAINED IN THIS DRAWING IS THE SOLE PROPERTY OF UNIVERSITY OF IDAHO, ME DEPARTMENT. ANY REPRODUCTION IN PART OR AS A WHOLE WITHOUT THE WRITTEN PERMISSION OF UNIVERSITY OF IDAHO, ME DEPARTMENT IS PROHIBITED.		DIMENSIONS ARE IN INCHES THIRD ANGLE PROJECTION		BANDBEESTEN	
DEFAULT TOLERANCES:		DESCRIPTION: TUBE CLAMP		UNIVERSITY OF IDAHO ME DEPARTMENT	
LINEAR:	ANGULAR:	CHECKED BY: XXXXXXXXXX	DATE: XX/XX/XX	PART #:	QTY:
X. ± .25	X. ± 2	DRAWN BY:	DATE: 5/7/2015		
X.X ± .1	X.X ± 1	FILE NAME: BEESTEN-09_03.SLDPRT	SCALE: 1:2	SHEET: 1 OF 1	
X.XX ± .01	X.XX ± 0.30				
X.XXX ± .002					

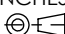
SCH 40 1.5 DIAM. (1.9) ALUMINUM PIPE



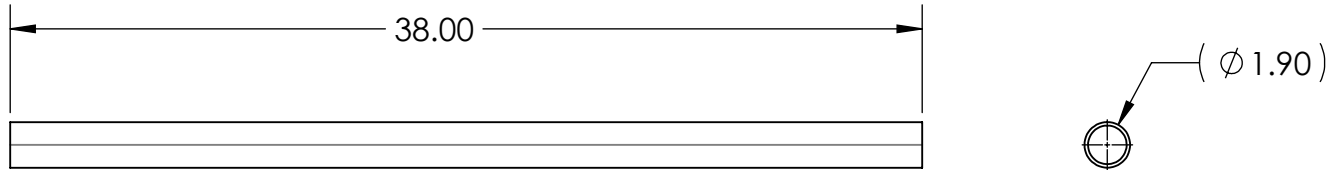
<b>PROPRIETARY AND CONFIDENTIAL</b> THE INFORMATION CONTAINED IN THIS DRAWING IS THE SOLE PROPERTY OF UNIVERSITY OF IDAHO, ME DEPARTMENT. ANY REPRODUCTION IN PART OR AS A WHOLE WITHOUT THE WRITTEN PERMISSION OF UNIVERSITY OF IDAHO, ME DEPARTMENT IS PROHIBITED.		DIMENSIONS ARE IN INCHES THIRD ANGLE PROJECTION 		<b>SIDE FRAME BEND</b>	
DEFAULT TOLERANCES:		MATERIAL:			
LINEAR: X. ± .25 X.X ± .1 X.XX ± .01 X.XXX ± .002	ANGULAR: X. ± 2 X.X ± 1 X.XX ± 0 30'	DESCRIPTION: CANOPY SIDE BEND		<b>UNIVERSITY OF IDAHO ME DEPARTMENT</b>	
		CHECKED BY: XXXXXXXXXXXX	DATE: XX/XX/XX		
		DRAWN BY:	DATE: 5/7/2015		
		FILE NAME: BEESTEN-11_01.SLDPRT		SCALE: 1:12	SHEET: 1 OF 1

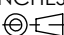
SCH 40 1.5 DIAM. (1.9) ALUMINUM PIPE



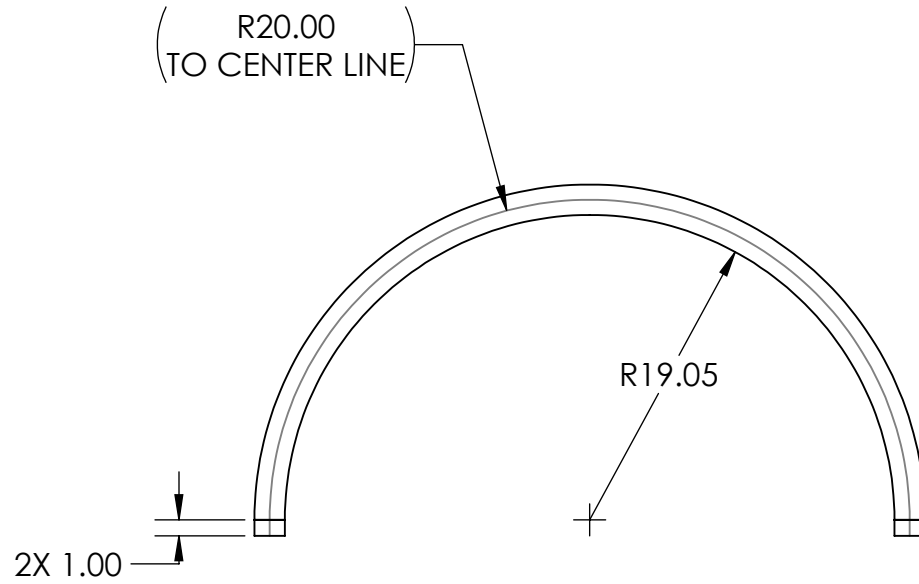
<b>PROPRIETARY AND CONFIDENTIAL</b> THE INFORMATION CONTAINED IN THIS DRAWING IS THE SOLE PROPERTY OF UNIVERSITY OF IDAHO, ME DEPARTMENT. ANY REPRODUCTION IN PART OR AS A WHOLE WITHOUT THE WRITTEN PERMISSION OF UNIVERSITY OF IDAHO, ME DEPARTMENT IS PROHIBITED.		DIMENSIONS ARE IN INCHES THIRD ANGLE PROJECTION 		<b>PROJECT NAME</b>	
DEFAULT TOLERANCES: LINEAR: X. ± .25 X.X ± .1 X.XX ± .01 X.XXX ± .002		DESCRIPTION: BACK TUBE			
ANGULAR: X. ± 2 X.X ± 1 X.XX ± 0 30'		CHECKED BY: XXXXXXXXXXXX	DATE: XX/XX/XX	PART #:	QTY:
DRAWN BY:		DATE: 5/7/2015	FILE NAME: BEESTEN-11_02.SLDPRT	SCALE: 1:8	SHEET: 1 OF 1

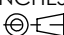
SCH 40 1.5 DIAM (1.9) ALUMINUM PIPE



<b>PROPRIETARY AND CONFIDENTIAL</b> THE INFORMATION CONTAINED IN THIS DRAWING IS THE SOLE PROPERTY OF UNIVERSITY OF IDAHO, ME DEPARTMENT. ANY REPRODUCTION IN PART OR AS A WHOLE WITHOUT THE WRITTEN PERMISSION OF UNIVERSITY OF IDAHO, ME DEPARTMENT IS PROHIBITED.		DIMENSIONS ARE IN INCHES THIRD ANGLE PROJECTION 		TOP BAR	
DEFAULT TOLERANCES:		DESCRIPTION: CANOPY TOP TUBE		UNIVERSITY OF IDAHO ME DEPARTMENT	
LINEAR: X. ± .25 X.X ± .1 X.XX ± .01 X.XXX ± .002	ANGULAR: X. ± 2 X.X ± 1 X.XX ± 0 30'	CHECKED BY: XXXXXXXXXX	DATE: XX/XX/XX	PART #:	QTY:
DRAWN BY:		DATE: 5/7/2015	SCALE: 1:8		SHEET: 1 OF 1
FILE NAME: BEESTEN-11_03.SLDPRT					

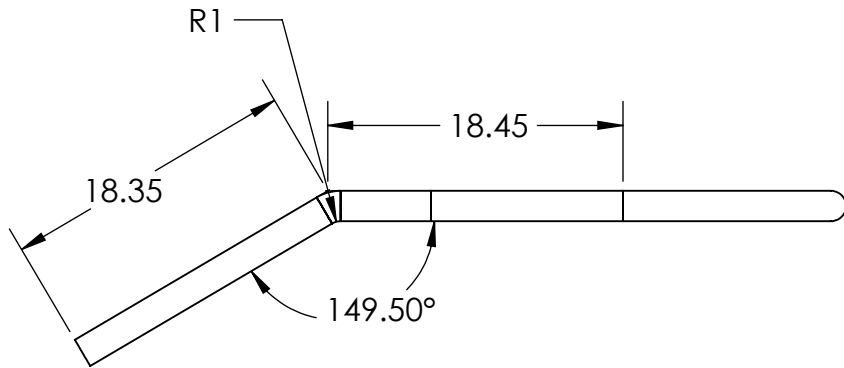
SCH 40 1.5 DIAM (1.9) ALUMINUM PIPE



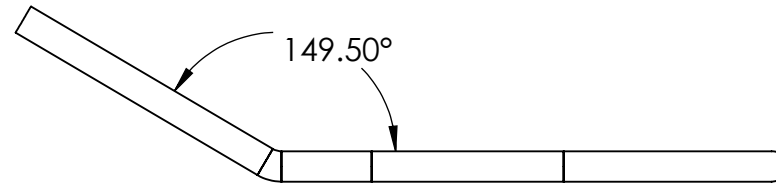
<b>PROPRIETARY AND CONFIDENTIAL</b> THE INFORMATION CONTAINED IN THIS DRAWING IS THE SOLE PROPERTY OF UNIVERSITY OF IDAHO, ME DEPARTMENT. ANY REPRODUCTION IN PART OR AS A WHOLE WITHOUT THE WRITTEN PERMISSION OF UNIVERSITY OF IDAHO, ME DEPARTMENT IS PROHIBITED.		DIMENSIONS ARE IN INCHES THIRD ANGLE PROJECTION 		<b>TOP CANOPY BEND</b>	
DEFAULT TOLERANCES: LINEAR: X. ± .25 X.X ± .1 X.XX ± .01 X.XXX ± .002		MATERIAL:			
ANGULAR: X. ± 2 X.X ± 1 X.XX ± 0 30'		DESCRIPTION: CANOPY TOP BEND		<b>UNIVERSITY OF IDAHO ME DEPARTMENT</b>	
CHECKED BY: XXXXXXXXXXXX		DATE: XX/XX/XX			
DRAWN BY:		DATE: 5/7/2015		PART #:	QTY:
FILE NAME: BEESTEN-11_04.SLDPRT		SCALE: 1:12		SHEET: 1 OF 1	



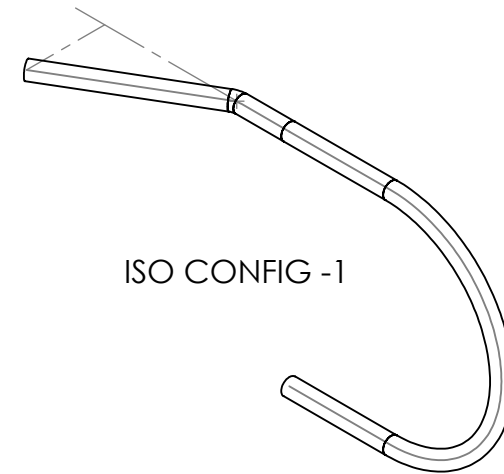
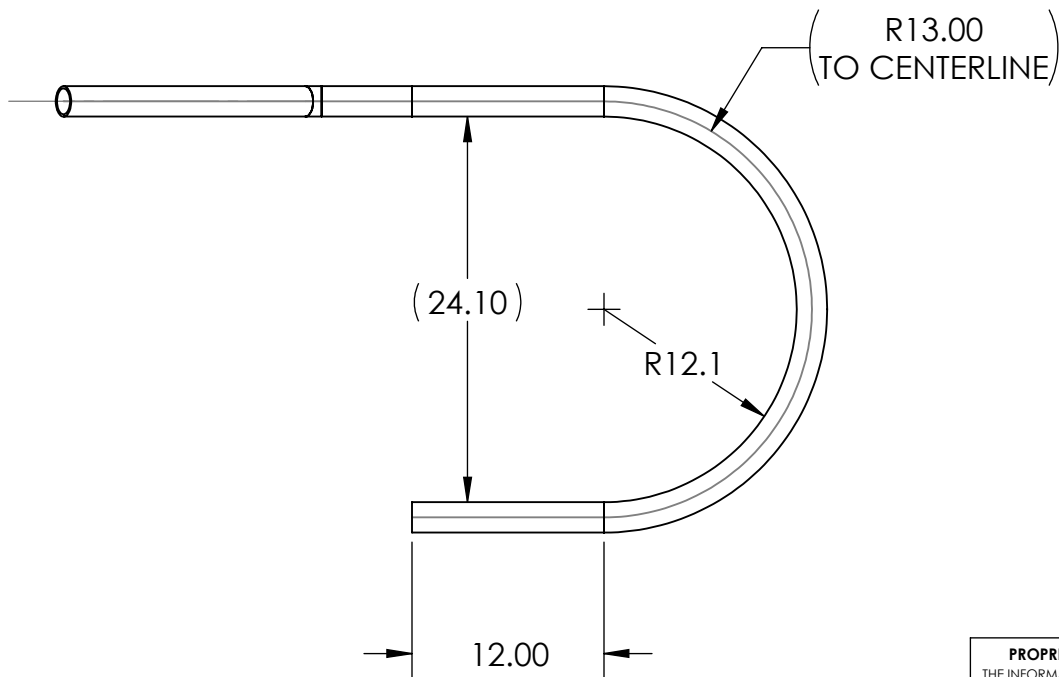
SCH 40 1.5 DIAM (1.9) ALUMINUM PIPE



TOP VIEW CONFIG -1



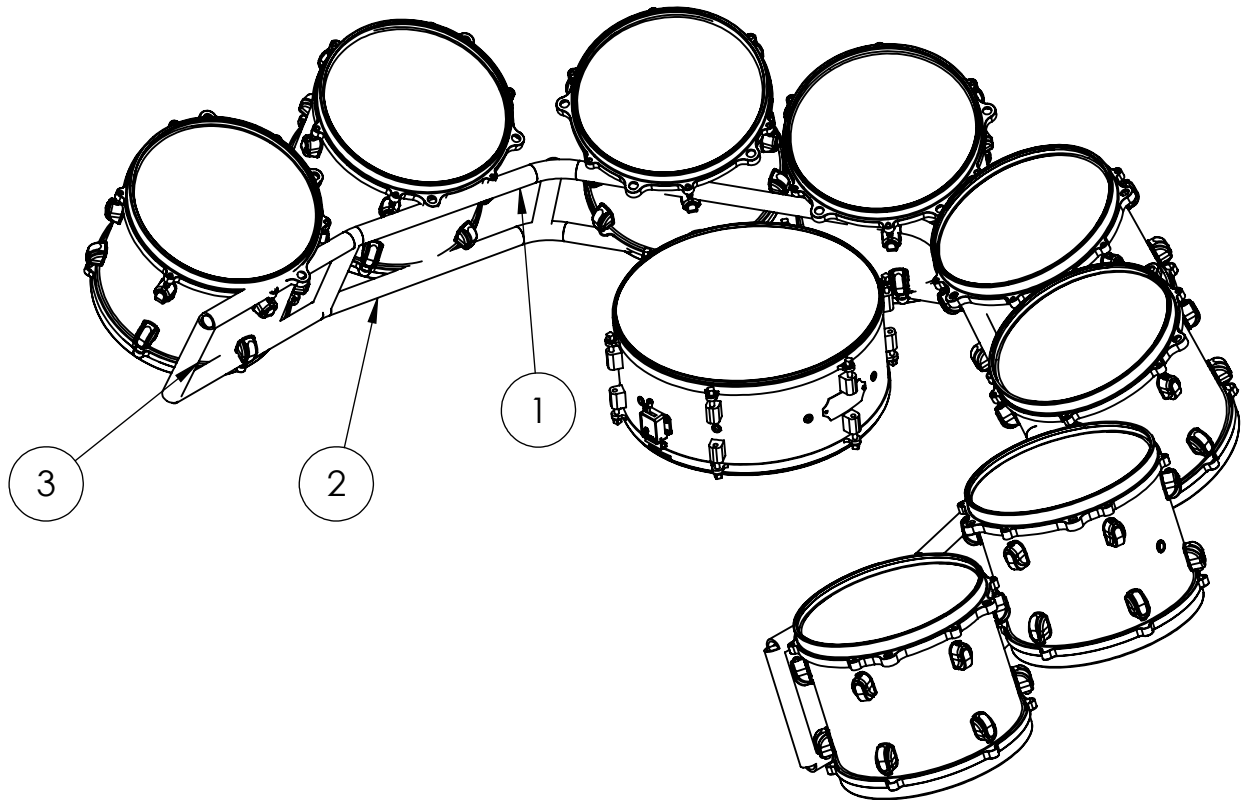
TOP VIEW CONFIG -2  
(ALL DIMS. THE SAME AS CONFIG -1 EXCPET ANGLE IS FLIPPED)

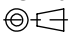


ISO CONFIG -1

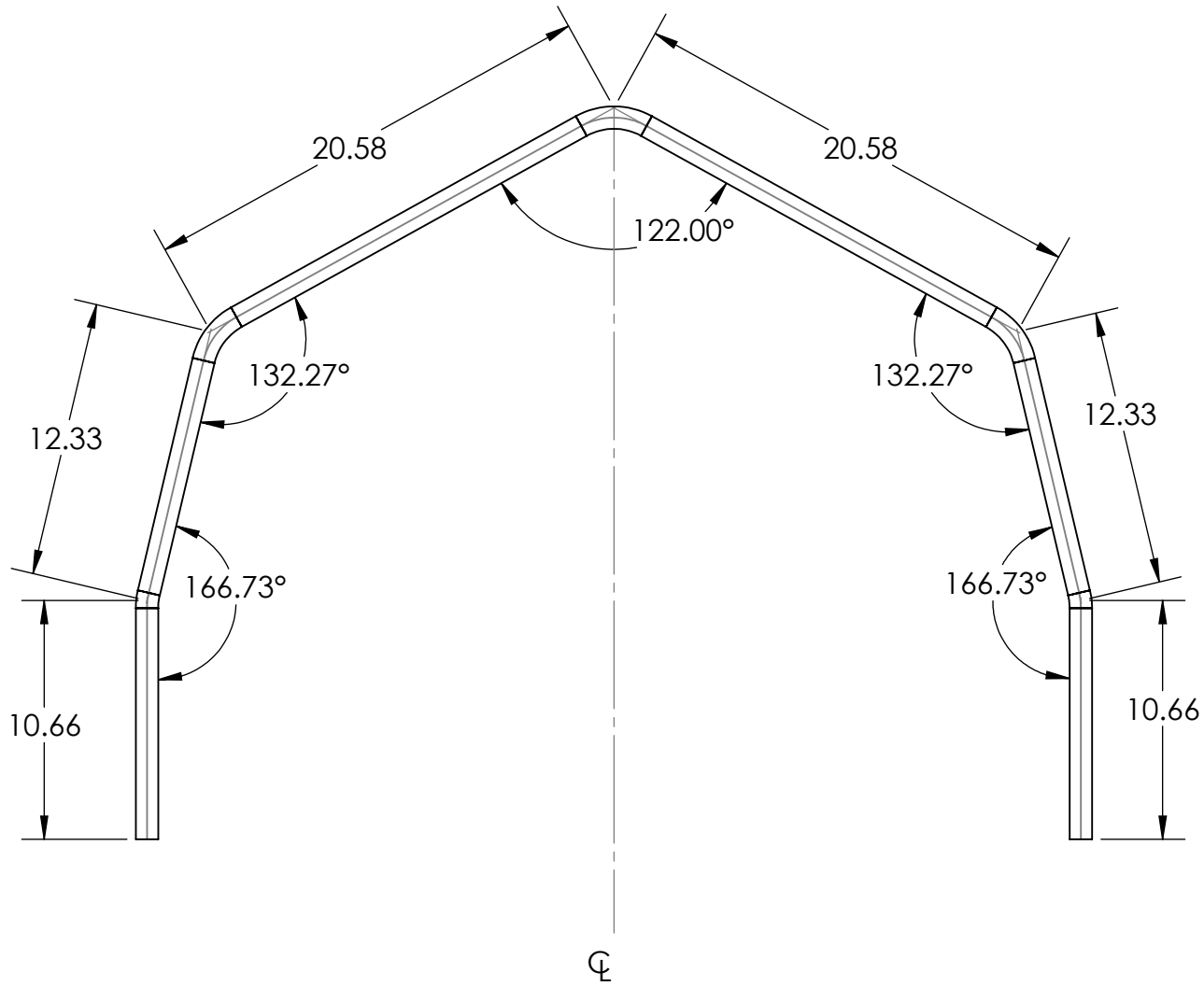
<b>PROPRIETARY AND CONFIDENTIAL</b> THE INFORMATION CONTAINED IN THIS DRAWING IS THE SOLE PROPERTY OF UNIVERSITY OF IDAHO, ME DEPARTMENT. ANY REPRODUCTION IN PART OR AS A WHOLE WITHOUT THE WRITTEN PERMISSION OF UNIVERSITY OF IDAHO, ME DEPARTMENT IS PROHIBITED.		DIMENSIONS ARE IN INCHES THIRD ANGLE PROJECTION		Side Frame	
DEFAULT TOLERANCES:		DESCRIPTION: LEFT SIDE BEND		UNIVERSITY OF IDAHO ME DEPARTMENT	
LINER:	ANGULAR:	CHECKED BY: XXXXXXXXXX	DATE: XX/XX/XX	PART #:	QTY:
X. ± .25	X. ± 2	DRAWN BY:	DATE: 5/7/2015		
X.X ± .1	X.X ± 1	FILE NAME: BEESTEN-11_05.SLDPRT	SCALE: 1:12	SHEET: 1 OF 1	
X.XX ± .01	X.XX ± 0.30				
X.XXX ± .002					

ITEM NO.	PART NUMBER	DESCRIPTION	QTY.
1	BEESTEN-12_01	TOP BAR	1
2	BEESTEN-12_02	BOTTOM BAR	1
3	BEESTEN-12_03	CONNECTING ROD	7



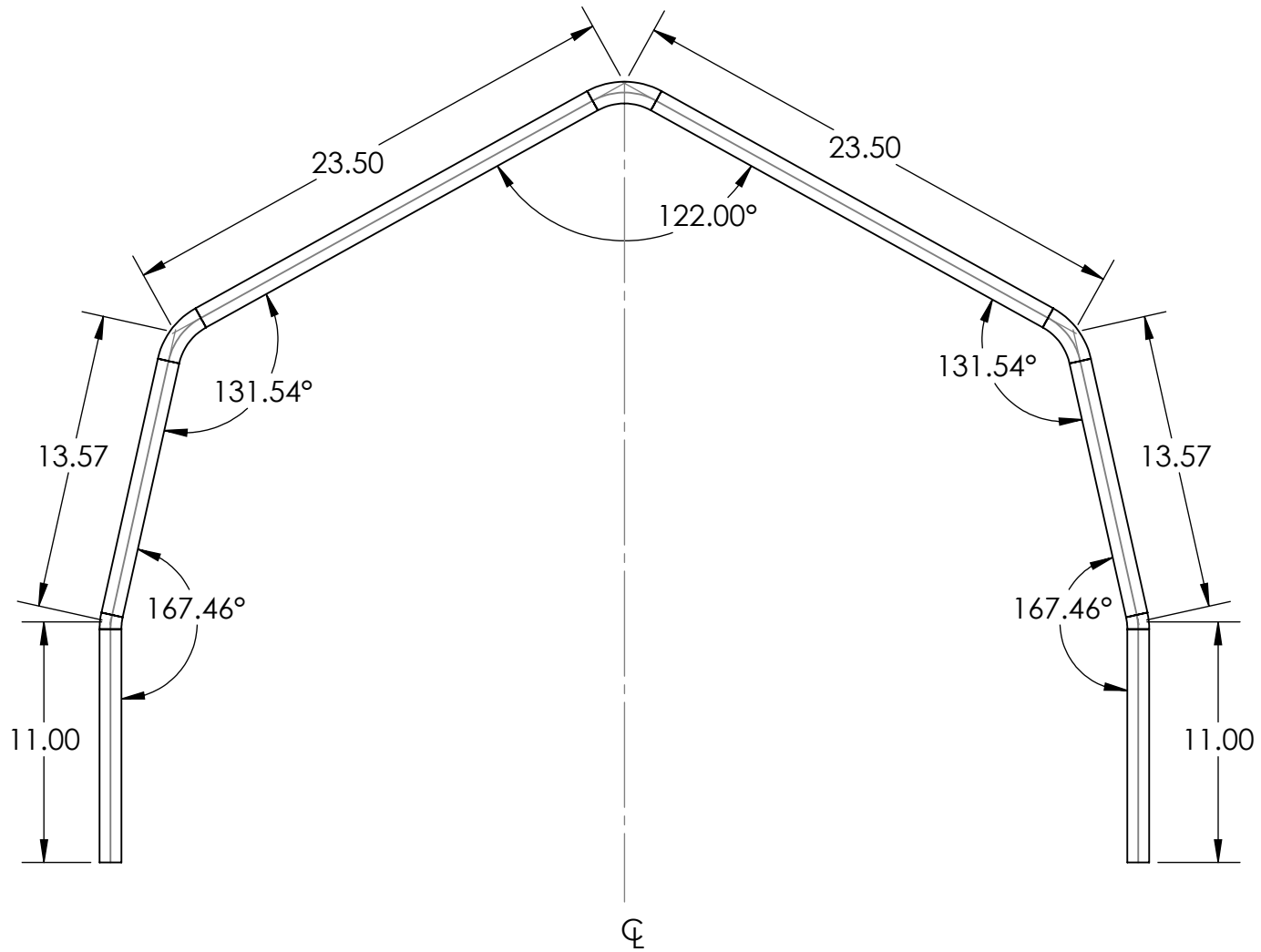
<b>PROPRIETARY AND CONFIDENTIAL</b> THE INFORMATION CONTAINED IN THIS DRAWING IS THE SOLE PROPERTY OF UNIVERSITY OF IDAHO, ME DEPARTMENT. ANY REPRODUCTION IN PART OR AS A WHOLE WITHOUT THE WRITTEN PERMISSION OF UNIVERSITY OF IDAHO, ME DEPARTMENT IS PROHIBITED.		DIMENSIONS ARE IN INCHES THIRD ANGLE PROJECTION 		<b>DRUM MOUNT ASSY</b>	
DEFAULT TOLERANCES:		MATERIAL:			
LINEAR: X. ± .25 X.X ± .1 X.XX ± .01 X.XXX ± .002	ANGULAR: X. ± 2 X.X ± 1 X.XX ± 0 30'	DESCRIPTION: DRUM MOUNT ASSY		<b>UNIVERSITY OF IDAHO ME DEPARTMENT</b>	
		CHECKED BY: XXXXXXXXXX	DATE: XX/XX/XX		
		DRAWN BY:	DATE: 5/7/2015	SCALE: 1:10	SHEET: 1 OF 1
		FILE NAME: BEESTEN-12_00.SLDPRT			

Top Bent Bar

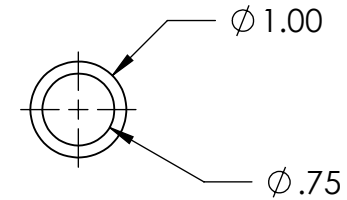
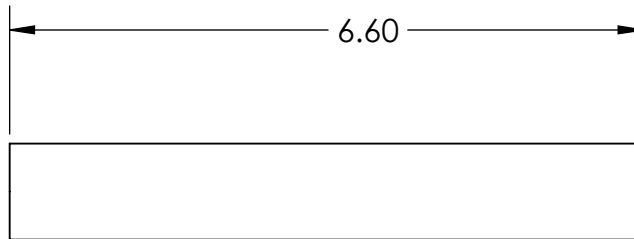


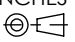
<b>PROPRIETARY AND CONFIDENTIAL</b> THE INFORMATION CONTAINED IN THIS DRAWING IS THE SOLE PROPERTY OF UNIVERSITY OF IDAHO, ME DEPARTMENT. ANY REPRODUCTION IN PART OR AS A WHOLE WITHOUT THE WRITTEN PERMISSION OF UNIVERSITY OF IDAHO, ME DEPARTMENT IS PROHIBITED.		DIMENSIONS ARE IN INCHES THIRD ANGLE PROJECTION		Bent Bar 1	
DEFAULT TOLERANCES:		DESCRIPTION: TOP BAR		UNIVERSITY OF IDAHO ME DEPARTMENT	
LINEAR:	ANGULAR:	CHECKED BY: XXXXXXXXXX	DATE: XX/XX/XX	PART #:	QTY:
X. ± .25	X. ± 2	DRAWN BY:	DATE: 5/5/2015		
X.X ± .1	X.X ± 1	FILE NAME: BEESTEN-12_01.SLDPRT	SCALE: 1:8	SHEET: 1 OF 1	
X.XX ± .01	X.XX ± 0.30				
X.XXX ± .002					

Bottom Bent Bar



<b>PROPRIETARY AND CONFIDENTIAL</b> THE INFORMATION CONTAINED IN THIS DRAWING IS THE SOLE PROPERTY OF UNIVERSITY OF IDAHO, ME DEPARTMENT. ANY REPRODUCTION IN PART OR AS A WHOLE WITHOUT THE WRITTEN PERMISSION OF UNIVERSITY OF IDAHO, ME DEPARTMENT IS PROHIBITED.		DIMENSIONS ARE IN INCHES THIRD ANGLE PROJECTION		Bent Bar 2	
DEFAULT TOLERANCES:		DESCRIPTION: BOTTOM BAR		UNIVERSITY OF IDAHO ME DEPARTMENT	
LINEAR:	ANGULAR:	CHECKED BY: XXXXXXXXXX	DATE: XX/XX/XX	PART #:	QTY:
X. ± .25	X. ± 2	DRAWN BY:	DATE: 5/5/2015		
X.X ± .1	X.X ± 1	FILE NAME: BEESTEN-12_02.SLDPRT	SCALE: 1:8	SHEET: 1 OF 1	
X.XX ± .01	X.XX ± 0.30				
X.XXX ± .002					



<b>PROPRIETARY AND CONFIDENTIAL</b> THE INFORMATION CONTAINED IN THIS DRAWING IS THE SOLE PROPERTY OF UNIVERSITY OF IDAHO, ME DEPARTMENT. ANY REPRODUCTION IN PART OR AS A WHOLE WITHOUT THE WRITTEN PERMISSION OF UNIVERSITY OF IDAHO, ME DEPARTMENT IS PROHIBITED.		DIMENSIONS ARE IN INCHES THIRD ANGLE PROJECTION 		<b>CONNECTING TUBE</b>	
DEFAULT TOLERANCES:		MATERIAL:			
LINEAR: X. ± .25 X.X ± .1 X.XX ± .01 X.XXX ± .002	ANGULAR: X. ± 2 X.X ± 1 X.XX ± 0 30'	DESCRIPTION: CONNECTING ROD		<b>UNIVERSITY OF IDAHO ME DEPARTMENT</b>	
		CHECKED BY: XXXXXXXXXXXX	DATE: XX/XX/XX		
		DRAWN BY:	DATE: 5/5/2015	PART #:	QTY:
		FILE NAME: BEESTEN-12_03.SLDPRT	SCALE: 1:2	SHEET: 1 OF 1	