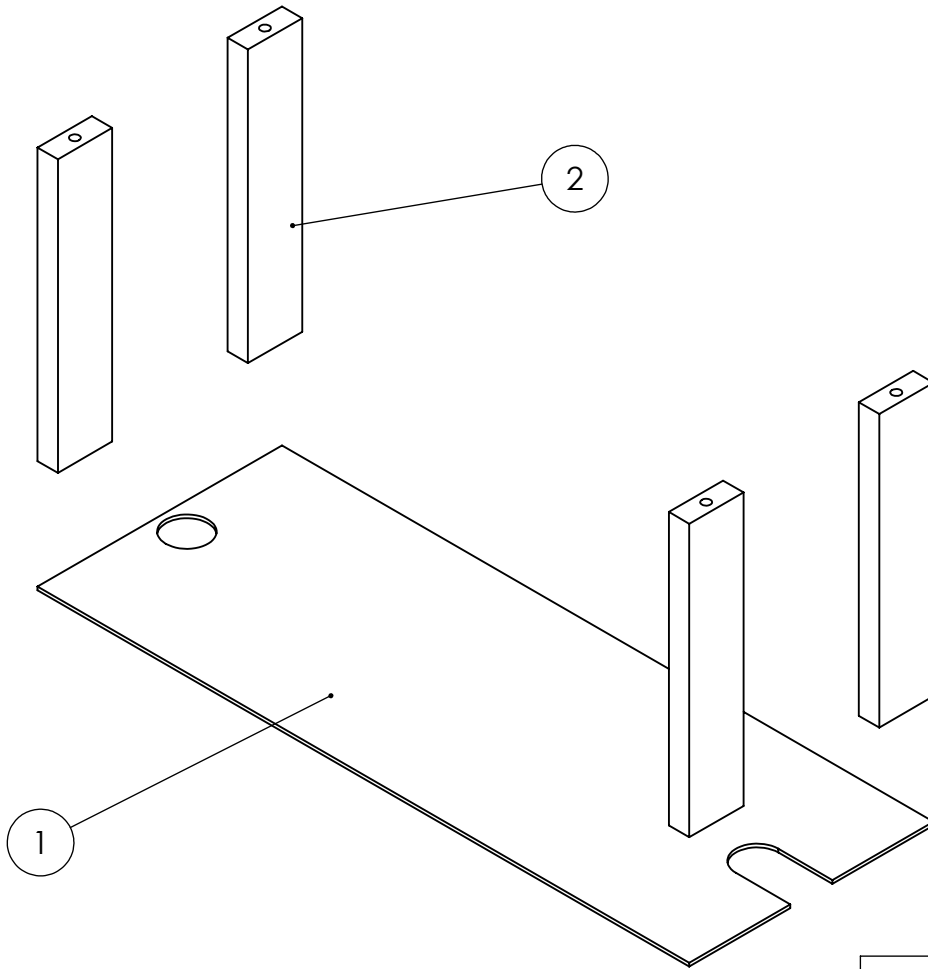
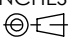


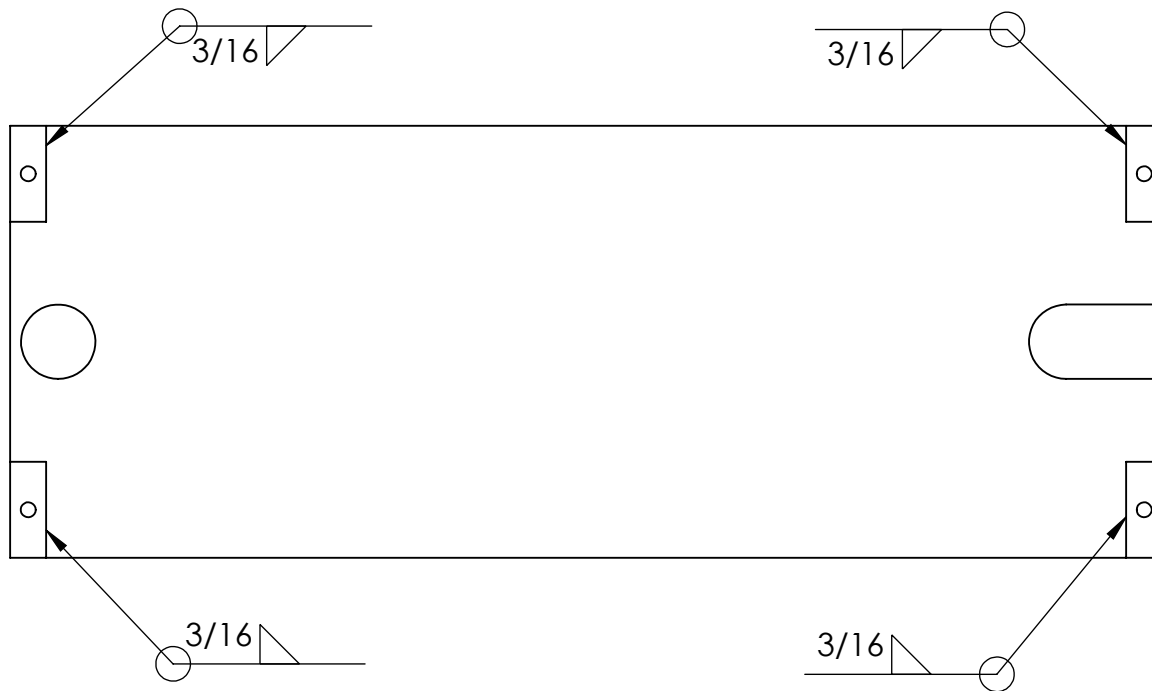
ITEM NO.	PART NUMBER	DESCRIPTION	QTY.
1	1-00	Base System Support	1
2	2-00	Tank and Top Deck Plate	1
3	3-00	Filter Assembly	1
4	4-00	Pump Mount- Filter Side	1
5	5-00	Back Side Pump Mount	1
6	6-00	Tubing and Fittings	1
7	GRAYMILLS_LVM21-A_PUMP	LVM21-A Pump (Graymills)	1
8	94912A460	3/4" Long 1/4-20 Sems Socket Head Cap Screw (McMaster Carr)	8
9	92196A622	3/4" Long 3/8-16 Socket Head Cap Screw (McMaster Carr)	4

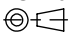
PROPRIETARY AND CONFIDENTIAL THE INFORMATION CONTAINED IN THIS DRAWING IS THE SOLE PROPERTY OF UNIVERSITY OF IDAHO, ME DEPARTMENT. ANY REPRODUCTION IN PART OR AS A WHOLE WITHOUT THE WRITTEN PERMISSION OF UNIVERSITY OF IDAHO, ME DEPARTMENT IS PROHIBITED.		DIMENSIONS ARE IN INCHES THIRD ANGLE PROJECTION		INL Grinder Water Filtration	
DEFAULT TOLERANCES: LINEAR: X.±.25 X.X±.1 X.XX±.01 X.XXX±.002		DESCRIPTION: Grinder Water Filtration System			
ANGULAR: X.± 2 X.X± 1 X.XX± 0 30'		CHECKED BY: Tommy Moore	DATE: 5/3/2018	PART #: 0-00	QTY: 1
		DRAWN BY: Jerry Kahn	DATE: 5/2/2018	SCALE: 1:8	SHEET: 1 OF 37
		FILE NAME: 0-00.SLDPRT			

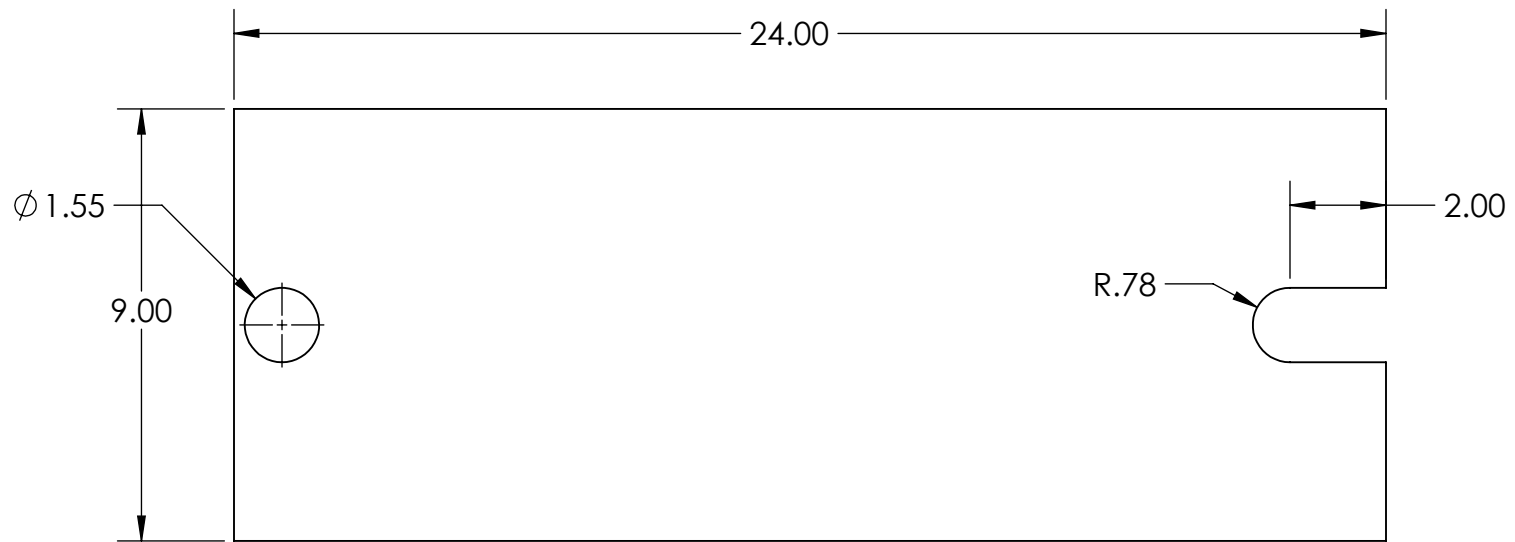


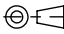
ITEM NO.	PART NUMBER	DESCRIPTION	QTY.
1	1-01	Bottom Plate	1
2	1-02	System Leg	4

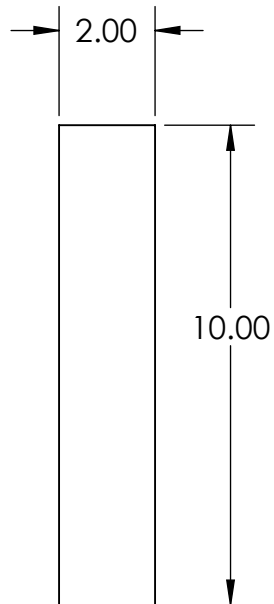
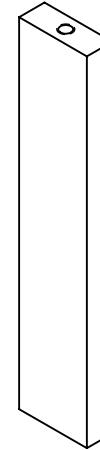
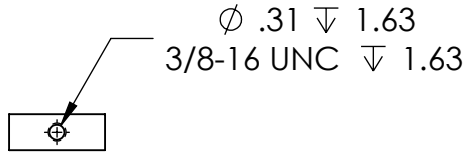
PROPRIETARY AND CONFIDENTIAL THE INFORMATION CONTAINED IN THIS DRAWING IS THE SOLE PROPERTY OF UNIVERSITY OF IDAHO, ME DEPARTMENT. ANY REPRODUCTION IN PART OR AS A WHOLE WITHOUT THE WRITTEN PERMISSION OF UNIVERSITY OF IDAHO, ME DEPARTMENT IS PROHIBITED.		DIMENSIONS ARE IN INCHES THIRD ANGLE PROJECTION 		INL Grinder Water Filtration	
DEFAULT TOLERANCES:		DESCRIPTION: Base System Support			
LINEAR: X. ± .25 X.X ± .1 X.XX ± .01 X.XXX ± .002	ANGULAR: X. ± 2 X.X ± 1 X.XX ± 0 30'	CHECKED BY: Tommy Moore	DATE: 3/27/2018	PART #: 1-00	QTY: 1
		DRAWN BY: Jerry Kahn	DATE: 3/23/2018	SCALE: 1:4	SHEET: 2 OF 37
		FILE NAME: 0-00.SLDPRT			

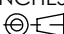


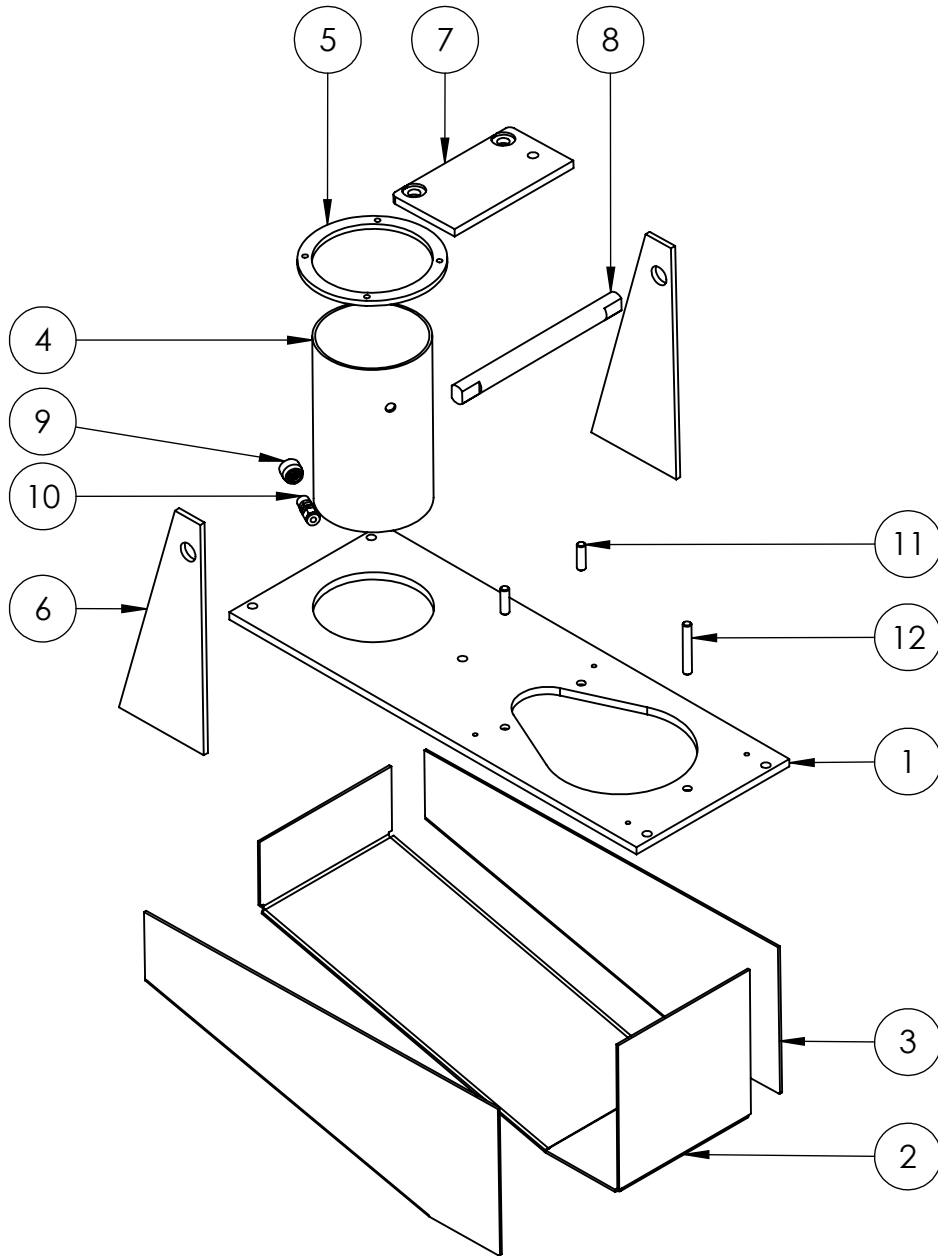
PROPRIETARY AND CONFIDENTIAL THE INFORMATION CONTAINED IN THIS DRAWING IS THE SOLE PROPERTY OF UNIVERSITY OF IDAHO, ME DEPARTMENT. ANY REPRODUCTION IN PART OR AS A WHOLE WITHOUT THE WRITTEN PERMISSION OF UNIVERSITY OF IDAHO, ME DEPARTMENT IS PROHIBITED.		DIMENSIONS ARE IN INCHES THIRD ANGLE PROJECTION 		INL Grinder Water Filtration	
DEFAULT TOLERANCES: LINEAR: X. ± .25 X.X ± .1 X.XX ± .01 X.XXX ± .002		DESCRIPTION: Base with Legs			
ANGULAR: X. ± 2 X.X ± 1 X.XX ± 0 30'		CHECKED BY: Troy Sanders	DATE: 4/2/2018	PART #: 1-00	QTY: 1
		DRAWN BY: Jerry Kahn	DATE: 3/30/2018	SCALE: 1:4	SHEET: 3 OF 37
		FILE NAME: 0-00.SLDPRT			



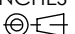
PROPRIETARY AND CONFIDENTIAL THE INFORMATION CONTAINED IN THIS DRAWING IS THE SOLE PROPERTY OF UNIVERSITY OF IDAHO, ME DEPARTMENT. ANY REPRODUCTION IN PART OR AS A WHOLE WITHOUT THE WRITTEN PERMISSION OF UNIVERSITY OF IDAHO, ME DEPARTMENT IS PROHIBITED.		DIMENSIONS ARE IN INCHES THIRD ANGLE PROJECTION 		INL Grinder Water Filtration	
		MATERIAL: 304 SS			
DEFAULT TOLERANCES:		DESCRIPTION: Bottom Plate		UNIVERSITY OF IDAHO ME DEPARTMENT	
LINEAR: X. ± .25 X.X ± .1 X.XX ± .01 X.XXX ± .002	ANGULAR: X. ± 2 X.X ± 1 X.XX ± 0 30'	CHECKED BY: Jerry Kahn	DATE: 3/23/2018		
		DRAWN BY: Tommy Moore	DATE: 3/23/2018	PART #: 1-01	QTY: 1
		FILE NAME: 1-01.SLDPRT	SCALE: 1:4	SHEET: 4 OF 37	

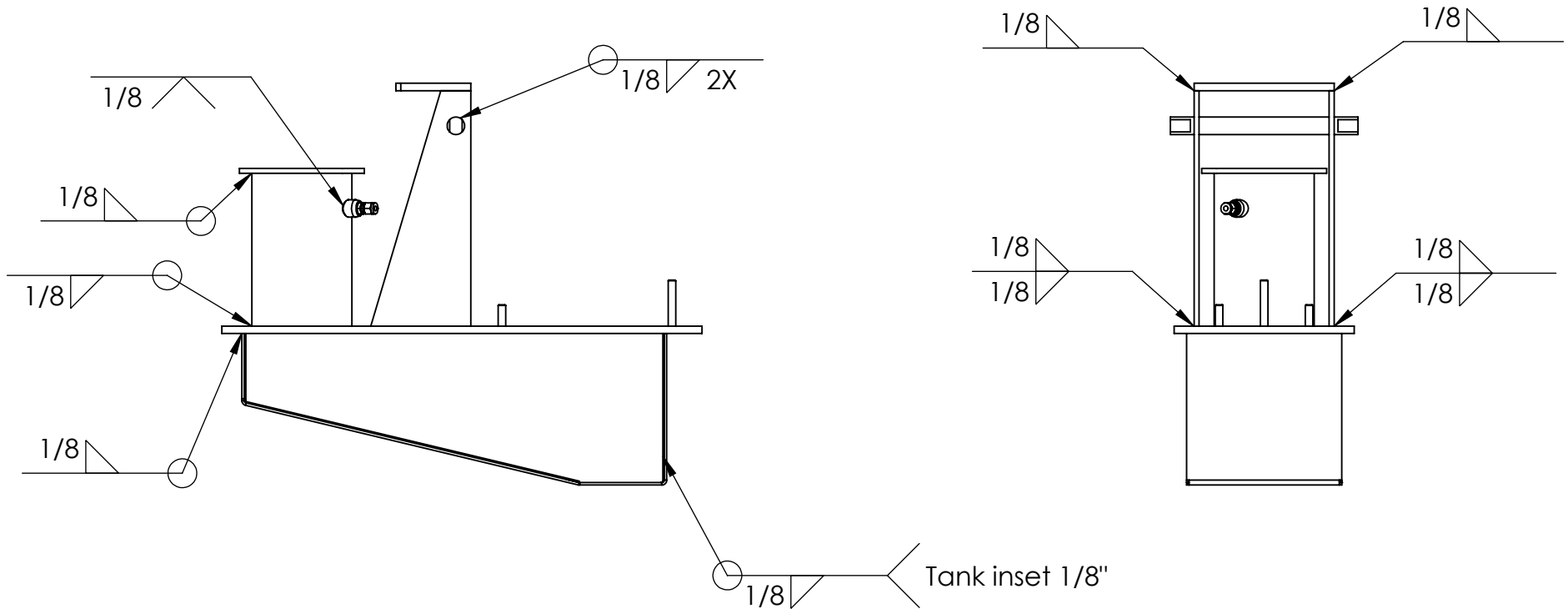


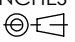
PROPRIETARY AND CONFIDENTIAL THE INFORMATION CONTAINED IN THIS DRAWING IS THE SOLE PROPERTY OF UNIVERSITY OF IDAHO, ME DEPARTMENT. ANY REPRODUCTION IN PART OR AS A WHOLE WITHOUT THE WRITTEN PERMISSION OF UNIVERSITY OF IDAHO, ME DEPARTMENT IS PROHIBITED.		DIMENSIONS ARE IN INCHES THIRD ANGLE PROJECTION 		INL Grinder Water Filtration	
		MATERIAL: 304 SS			
DEFAULT TOLERANCES: LINEAR: X. ± .25 X.X ± .1 X.XX ± .01 X.XXX ± .002		DESCRIPTION: System Legs		UNIVERSITY OF IDAHO ME DEPARTMENT	
ANGULAR: X. ± 2 X.X ± 1 X.XX ± 0 30'		CHECKED BY: Jerry Kahn	DATE: 3/23/2018		
		DRAWN BY: Tommy Moore	DATE: 3/23/2018	SCALE: 1:4	SHEET: 5 OF 37
		FILE NAME: 1-02.SLDPRT			

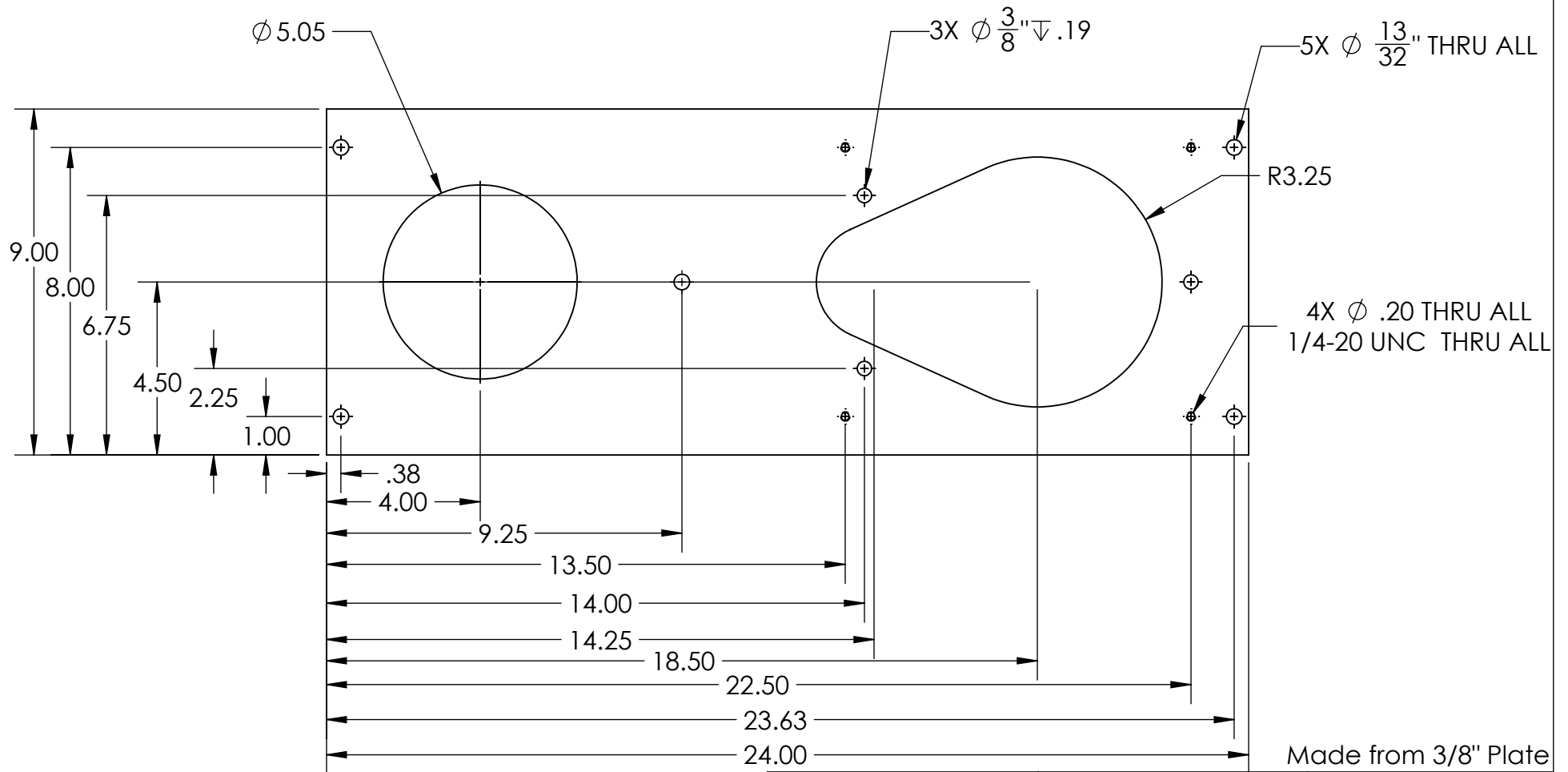


ITEM NO.	PART NUMBER	DESCRIPTION	QTY.
1	2-01	Top Deck Plate	1
2	2-02	Tank Bottom	1
3	2-03	Tank Side	2
4	2-04	Filter Housing	1
5	2-05	Filter Flange	1
6	2-06	Handle Support	2
7	2-07	Nozzle Plate	1
8	2-08	EMM Handle	1
9	4565T312	Bypass Coupling (McMaster Carr)	1
10	SS-400-1-4	1/4" Tube to 1/4" Male NPT (Swagelok)	1
11	90145A626	3/8" by 1 1/4" Dowel Pin (McMaster Carr)	2
12	90145A633	3/8" by 2 1/2" Dowel Pin (McMaster Carr)	1

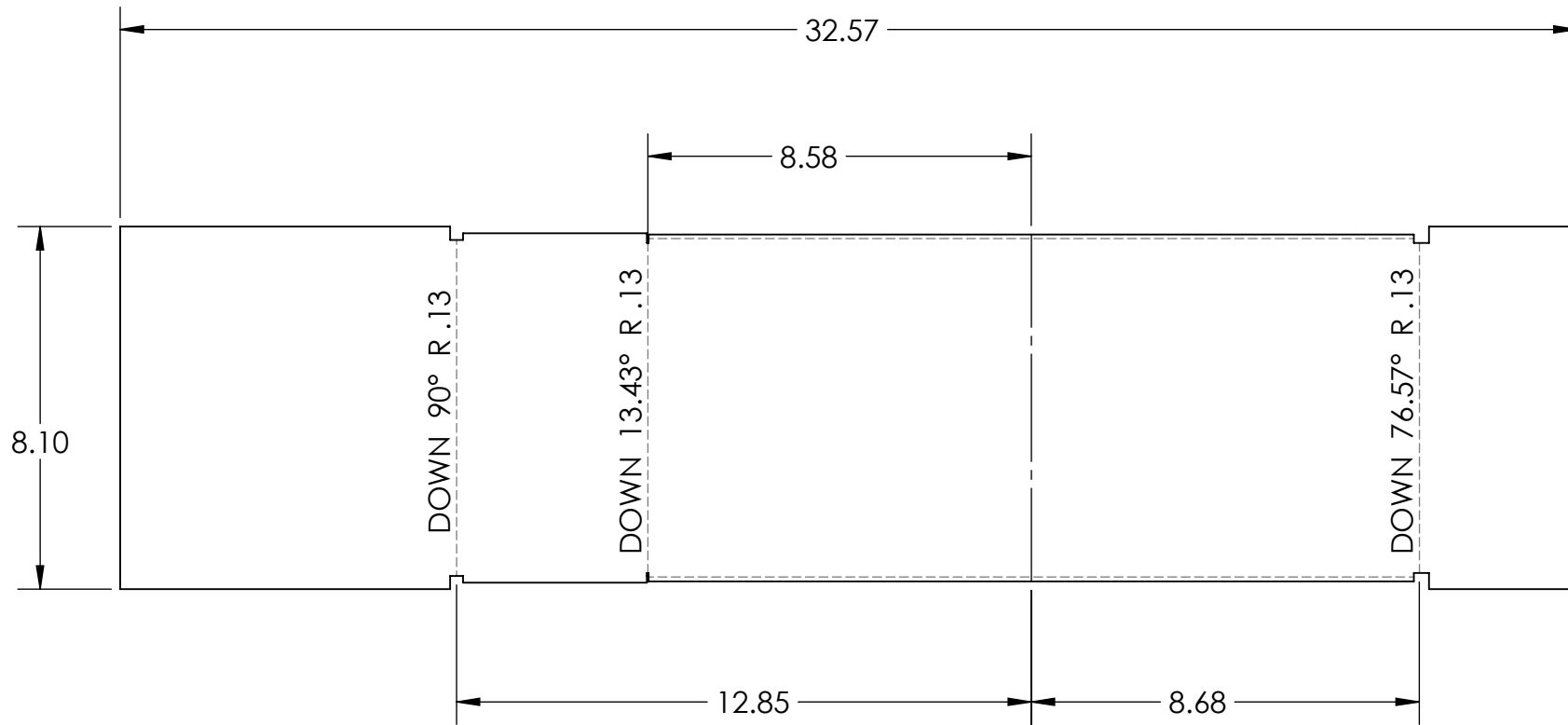
PROPRIETARY AND CONFIDENTIAL THE INFORMATION CONTAINED IN THIS DRAWING IS THE SOLE PROPERTY OF UNIVERSITY OF IDAHO, ME DEPARTMENT. ANY REPRODUCTION IN PART OR AS A WHOLE WITHOUT THE WRITTEN PERMISSION OF UNIVERSITY OF IDAHO, ME DEPARTMENT IS PROHIBITED.		DIMENSIONS ARE IN INCHES THIRD ANGLE PROJECTION 		INL Grinder Water Filtration	
DEFAULT TOLERANCES:		DESCRIPTION: Tank and Top Deck Plate			
LINEAR: X. ± .25 X.X ± .1 X.XX ± .01 X.XXX ± .002	ANGULAR: X. ± 2 X.X ± 1 X.XX ± 0.30'	CHECKED BY: Troy Sanders	DATE: 3/24/2018	PART #: 2-00	QTY: 1
		DRAWN BY: Jerry Kahn	DATE: 3/24/2018	SCALE: 1:8	SHEET: 6 OF 37
		FILE NAME: 2-00.SLDPRT			

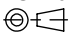


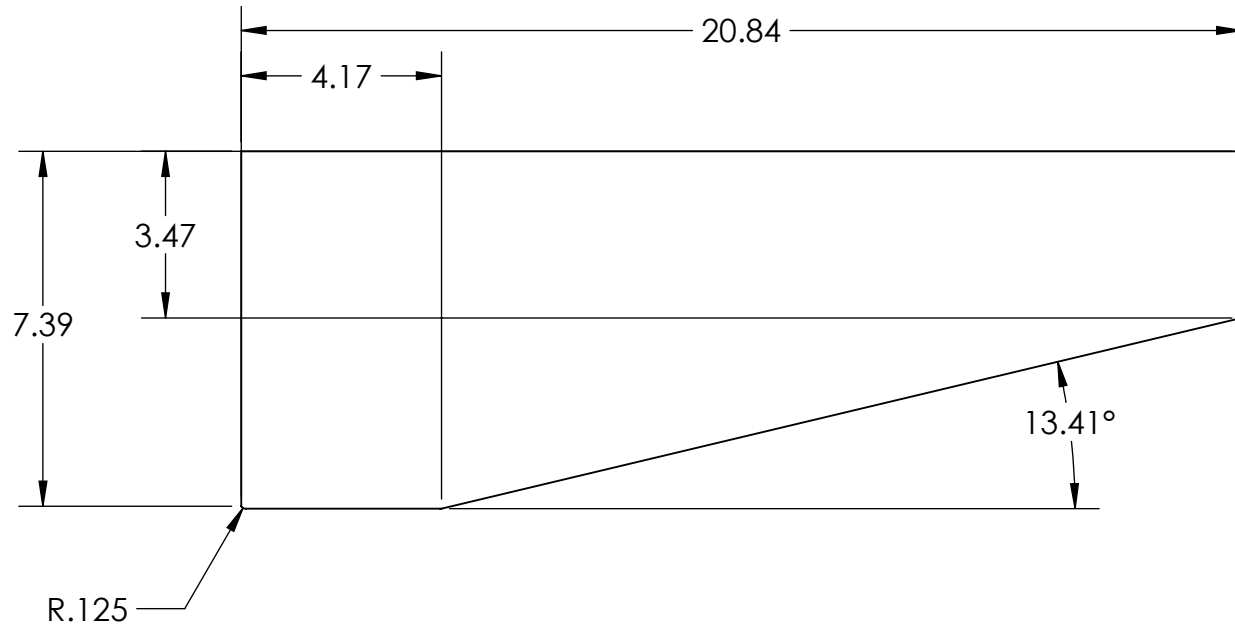
PROPRIETARY AND CONFIDENTIAL THE INFORMATION CONTAINED IN THIS DRAWING IS THE SOLE PROPERTY OF UNIVERSITY OF IDAHO, ME DEPARTMENT. ANY REPRODUCTION IN PART OR AS A WHOLE WITHOUT THE WRITTEN PERMISSION OF UNIVERSITY OF IDAHO, ME DEPARTMENT IS PROHIBITED.		DIMENSIONS ARE IN INCHES THIRD ANGLE PROJECTION 		INL Grinder Water Filtration	
DEFAULT TOLERANCES:		MATERIAL:			
LINEAR: X. ± .25 X.X ± .1 X.XX ± .01 X.XXX ± .002	ANGULAR: X. ± 2 X.X ± 1 X.XX ± 0.30'	DESCRIPTION: Tank and Top Deck Plate		UNIVERSITY OF IDAHO ME DEPARTMENT	
		CHECKED BY: Troy Sanders	DATE: 3/30/2018		
		DRAWN BY: Jerry Kahn	DATE: 3/30/2018	SCALE: 1:8	SHEET: 7 OF 37
		FILE NAME: 0-00.SLDPRТ			

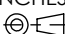


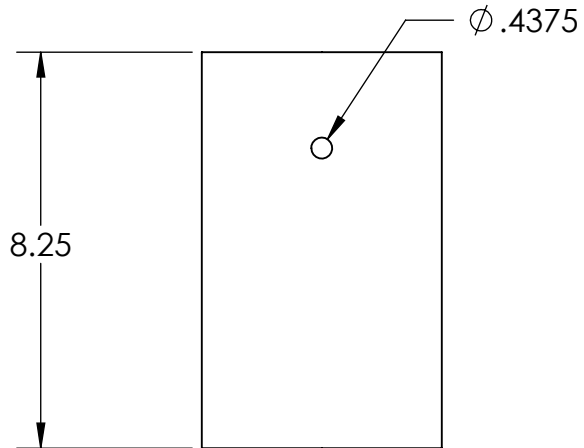
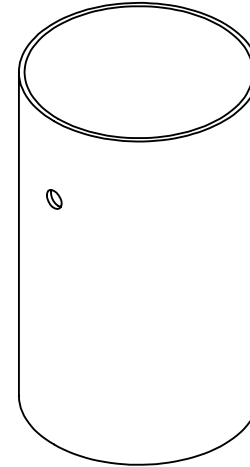
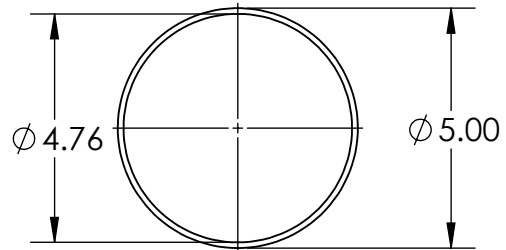
PROPRIETARY AND CONFIDENTIAL THE INFORMATION CONTAINED IN THIS DRAWING IS THE SOLE PROPERTY OF UNIVERSITY OF IDAHO, ME DEPARTMENT. ANY REPRODUCTION IN PART OR AS A WHOLE WITHOUT THE WRITTEN PERMISSION OF UNIVERSITY OF IDAHO, ME DEPARTMENT IS PROHIBITED.		DIMENSIONS ARE IN INCHES THIRD ANGLE PROJECTION		INL Grinder Water Filtration	
DEFAULT TOLERANCES: LINEAR: X. ± .25 X.X ± .1 X.XX ± .01 X.XXX ± .002		DESCRIPTION: Top Base Plate CHECKED BY: Troy Sanders DATE: 3/25/2018 DRAWN BY: Jerry Kahn DATE: 3/23/2018 FILE NAME: 2-01.SLDPRT		MATERIAL: 304 SS UNIVERSITY OF IDAHO ME DEPARTMENT PART #: 2-01 QTY: 1 SCALE: 1:4 SHEET: 8 OF 37	



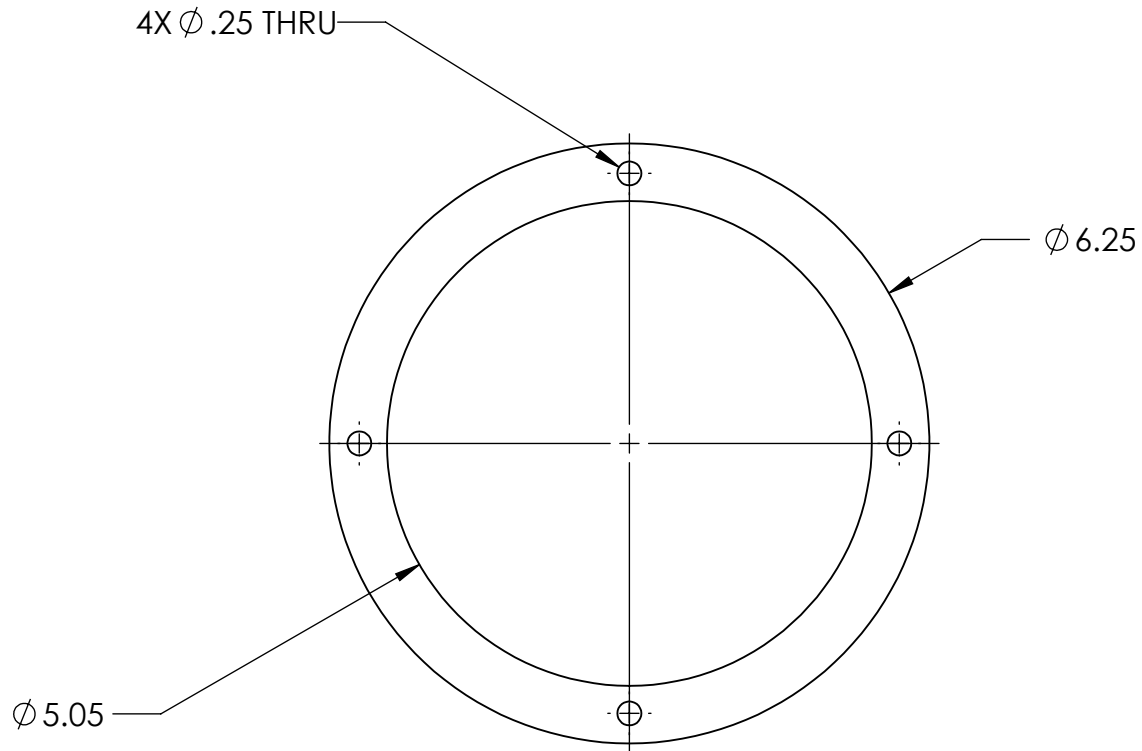
PROPRIETARY AND CONFIDENTIAL THE INFORMATION CONTAINED IN THIS DRAWING IS THE SOLE PROPERTY OF UNIVERSITY OF IDAHO, ME DEPARTMENT. ANY REPRODUCTION IN PART OR AS A WHOLE WITHOUT THE WRITTEN PERMISSION OF UNIVERSITY OF IDAHO, ME DEPARTMENT IS PROHIBITED.		DIMENSIONS ARE IN INCHES THIRD ANGLE PROJECTION 		INL Grinder Water Filtration	
		MATERIAL: 304 SS			
DEFAULT TOLERANCES:		DESCRIPTION: Tank Bottom		UNIVERSITY OF IDAHO ME DEPARTMENT	
LINER: X. ± .25 X.X ± .1 X.XX ± .01 X.XXX ± .002	ANGULAR: X. ± 2 X.X ± 1 X.XX ± 0.30'	CHECKED BY: Troy Sanders	DATE: 3/21/2018		
		DRAWN BY: Jerry Kahn	DATE: 3/20/2018	PART #: 2-02	QTY: 1
		FILE NAME: 2.02.SLDPR	SCALE: 1:4	SHEET: 9 OF 37	

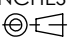


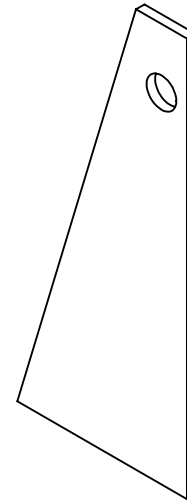
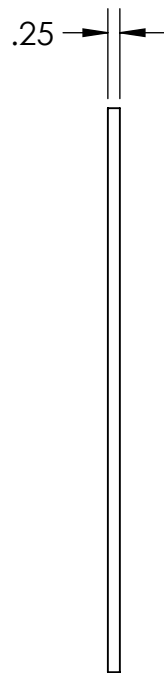
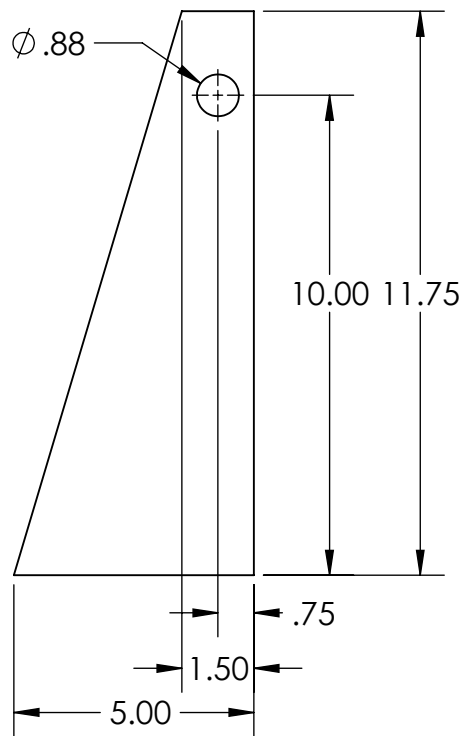
PROPRIETARY AND CONFIDENTIAL THE INFORMATION CONTAINED IN THIS DRAWING IS THE SOLE PROPERTY OF UNIVERSITY OF IDAHO, ME DEPARTMENT. ANY REPRODUCTION IN PART OR AS A WHOLE WITHOUT THE WRITTEN PERMISSION OF UNIVERSITY OF IDAHO, ME DEPARTMENT IS PROHIBITED.		DIMENSIONS ARE IN INCHES THIRD ANGLE PROJECTION 		INL Grinder Water Filtration	
DEFAULT TOLERANCES: LINEAR: X. ± .25 X.X ± .1 X.XX ± .01 X.XXX ± .002		DESCRIPTION: Tank Side			
ANGULAR: X. ± 2 X.X ± 1 X.XX ± 0 30'		CHECKED BY: Troy Sanders	DATE: 3/21/2018	PART #: 2-03	QTY: 2
		DRAWN BY: Jerry Kahn	DATE: 3/20/2018	SCALE: 1:4	SHEET: 10 OF 37
		FILE NAME: 2-03.SLDPRT	MATERIAL: 304 SS		

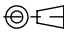


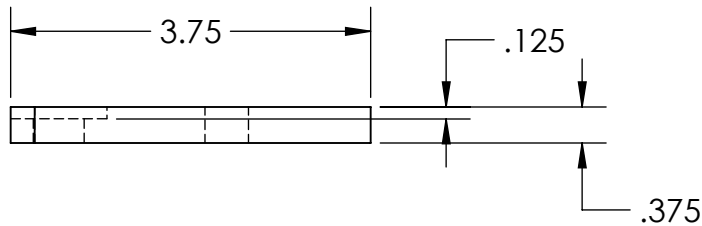
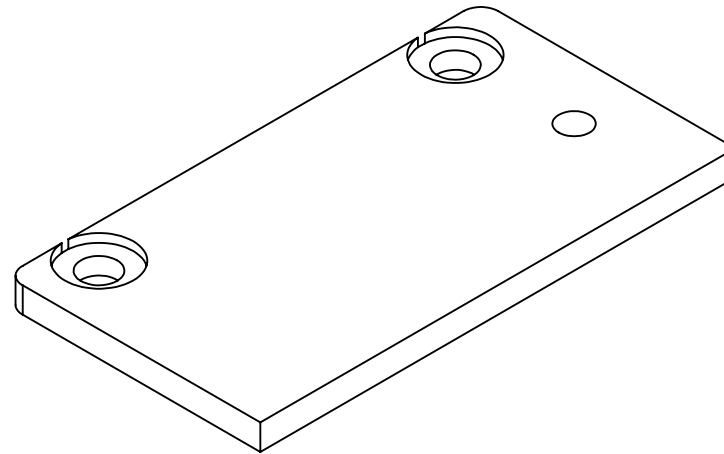
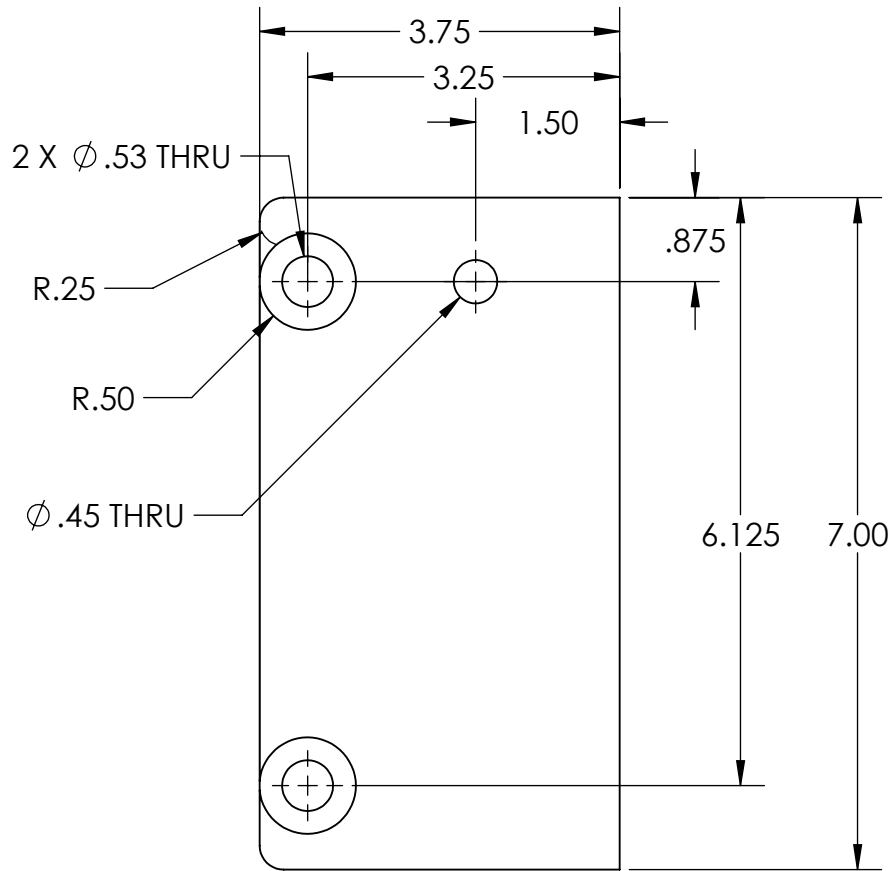
PROPRIETARY AND CONFIDENTIAL THE INFORMATION CONTAINED IN THIS DRAWING IS THE SOLE PROPERTY OF UNIVERSITY OF IDAHO, ME DEPARTMENT. ANY REPRODUCTION IN PART OR AS A WHOLE WITHOUT THE WRITTEN PERMISSION OF UNIVERSITY OF IDAHO, ME DEPARTMENT IS PROHIBITED.		DIMENSIONS ARE IN INCHES THIRD ANGLE PROJECTION		INL Grinder Water Filtration	
		MATERIAL: 304 SS			
DEFAULT TOLERANCES: LINEAR: X. ± .25 X.X ± .1 X.XX ± .01 X.XXX ± .002		DESCRIPTION: Filter Housing		UNIVERSITY OF IDAHO ME DEPARTMENT	
ANGULAR: X. ± 2 X.X ± 1 X.XX ± 0 30'		CHECKED BY: Troy Sanders	DATE: 3/02/2018		
		DRAWN BY: Tommy Moore	DATE: 2/23/2018	SCALE: 1:4	SHEET: 11 OF 37
		FILE NAME: 2-04.SLDPRT			

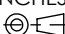


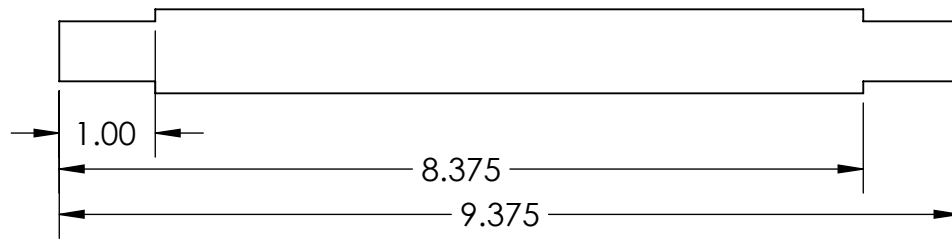
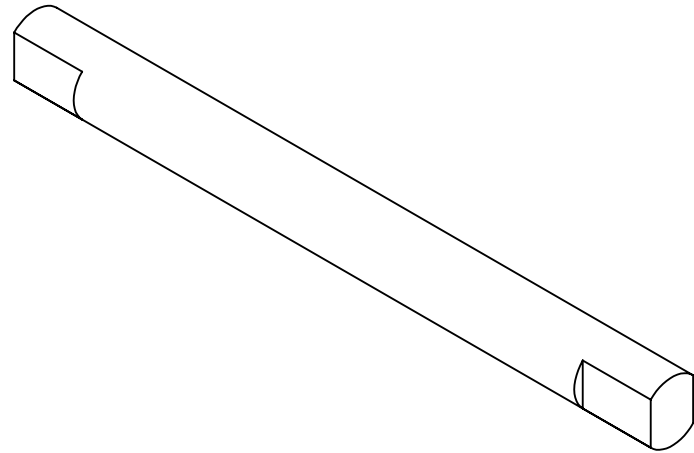
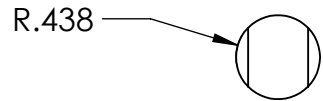
PROPRIETARY AND CONFIDENTIAL THE INFORMATION CONTAINED IN THIS DRAWING IS THE SOLE PROPERTY OF UNIVERSITY OF IDAHO, ME DEPARTMENT. ANY REPRODUCTION IN PART OR AS A WHOLE WITHOUT THE WRITTEN PERMISSION OF UNIVERSITY OF IDAHO, ME DEPARTMENT IS PROHIBITED.		DIMENSIONS ARE IN INCHES THIRD ANGLE PROJECTION 		INL Grinder Water Filtration	
		MATERIAL: 304 SS			
DEFAULT TOLERANCES:		DESCRIPTION: Filter Cap Flange		UNIVERSITY OF IDAHO ME DEPARTMENT	
LINEAR: X. \pm .25 X.X \pm .1 X.XX \pm .01 X.XXX \pm .002	ANGULAR: X. \pm 2 X.X \pm 1 X.XX \pm 0 30'	CHECKED BY: Jerry Kahn	DATE: 3/8/2018		
		DRAWN BY: Tommy Moore	DATE: 3/7/2018	SCALE: 1:2	SHEET: 12 OF 37
		FILE NAME: 2-05.SLDPR1			



PROPRIETARY AND CONFIDENTIAL THE INFORMATION CONTAINED IN THIS DRAWING IS THE SOLE PROPERTY OF UNIVERSITY OF IDAHO, ME DEPARTMENT. ANY REPRODUCTION IN PART OR AS A WHOLE WITHOUT THE WRITTEN PERMISSION OF UNIVERSITY OF IDAHO, ME DEPARTMENT IS PROHIBITED.		DIMENSIONS ARE IN INCHES THIRD ANGLE PROJECTION 		INL Grider Water Filtration	
DEFAULT TOLERANCES:		MATERIAL: 304 SS			
LINEAR: X. ± .25 X.X ± .1 X.XX ± .01 X.XXX ± .002	ANGULAR: X. ± 2 X.X ± 1 X.XX ± 0 30'	DESCRIPTION: Handle Support		UNIVERSITY OF IDAHO ME DEPARTMENT	
		CHECKED BY: Troy Sanders	DATE: 4/02/2018		
		DRAWN BY: Jerry Kahn	DATE: 3/8/2018	SCALE: 1:4	SHEET: 13 OF 37
		FILE NAME: 2-06.SLDPRТ			

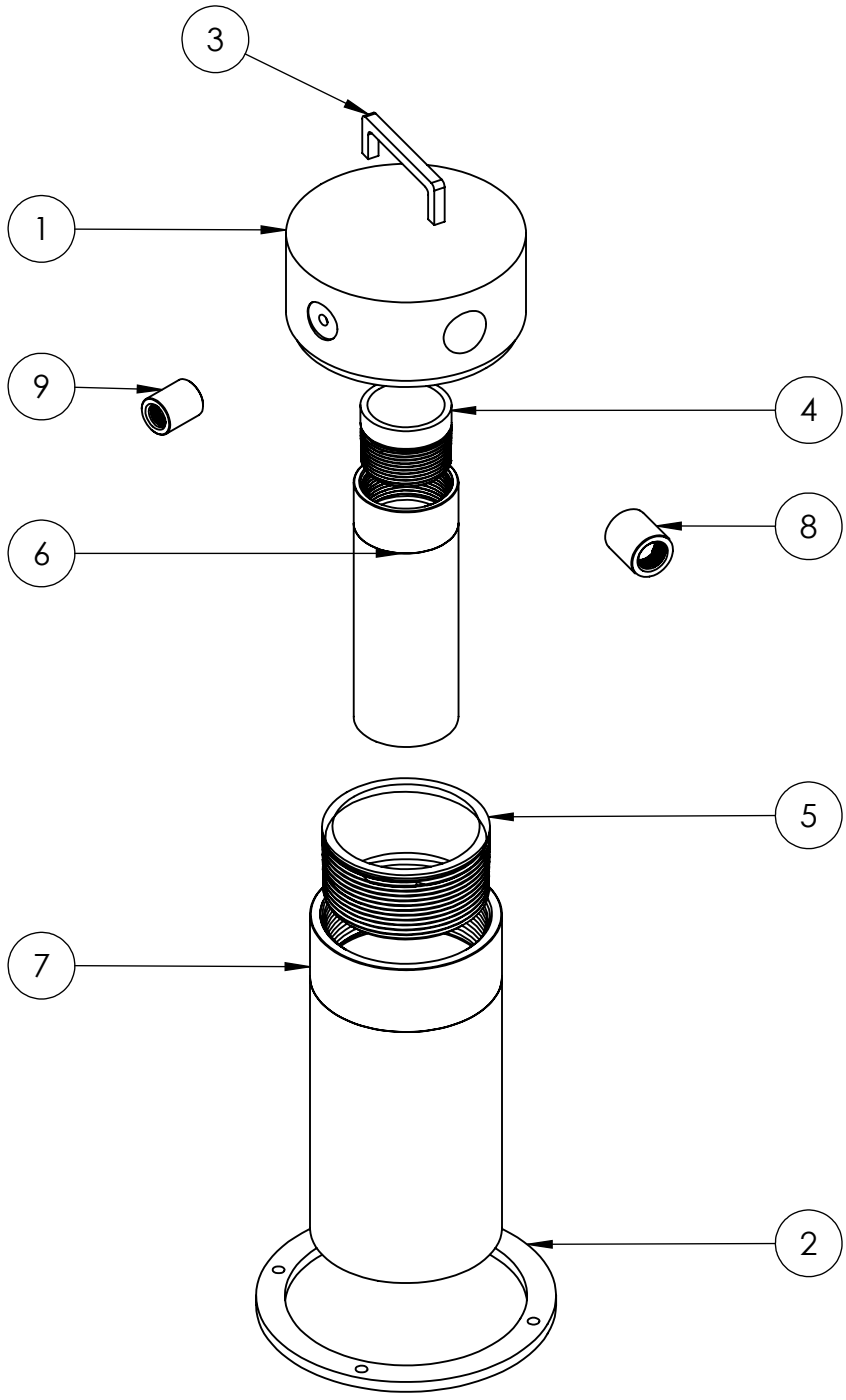


PROPRIETARY AND CONFIDENTIAL THE INFORMATION CONTAINED IN THIS DRAWING IS THE SOLE PROPERTY OF UNIVERSITY OF IDAHO, ME DEPARTMENT. ANY REPRODUCTION IN PART OR AS A WHOLE WITHOUT THE WRITTEN PERMISSION OF UNIVERSITY OF IDAHO, ME DEPARTMENT IS PROHIBITED.		DIMENSIONS ARE IN INCHES THIRD ANGLE PROJECTION 		INL Grinder Water Filtration	
DEFAULT TOLERANCES:		DESCRIPTION: Nozzle Plate			
LINEAR: X. ± .25 X.X ± .1 X.XX ± .01 X.XXX ± .002	ANGULAR: X. ± 2 X.X ± 1 X.XX ± 0 30'	CHECKED BY: Troy Sanders	DATE: 3/27/2018	PART #: 2-07	QTY: 1
		DRAWN BY: Jerry Kahn	DATE: 3/26/2018	SCALE: 1:2	SHEET: 14 OF 37
		FILE NAME: 2-07.SLDPRT	MATERIAL: 304 SS		



PROPRIETARY AND CONFIDENTIAL THE INFORMATION CONTAINED IN THIS DRAWING IS THE SOLE PROPERTY OF UNIVERSITY OF IDAHO, ME DEPARTMENT. ANY REPRODUCTION IN PART OR AS A WHOLE WITHOUT THE WRITTEN PERMISSION OF UNIVERSITY OF IDAHO, ME DEPARTMENT IS PROHIBITED.		DIMENSIONS ARE IN INCHES THIRD ANGLE PROJECTION		INL Grinder Water Filtration	
		MATERIAL: 304 SS			
DEFAULT TOLERANCES:		DESCRIPTION: EMM Handle		UNIVERSITY OF IDAHO ME DEPARTMENT	
LINEAR: X. ± .25 X.X ± .1 X.XX ± .01 X.XXX ± .002	ANGULAR: X. ± 2 X.X ± 1 X.XX ± 0 30'	CHECKED BY: Troy Sanders	DATE: 3/7/2018		
		DRAWN BY: Jerry Kahn	DATE: 3/5/2018	PART #: 2-08	QTY: 1
		FILE NAME: 2-08.SLDPRT	SCALE: 1:2	SHEET: 15 OF 37	

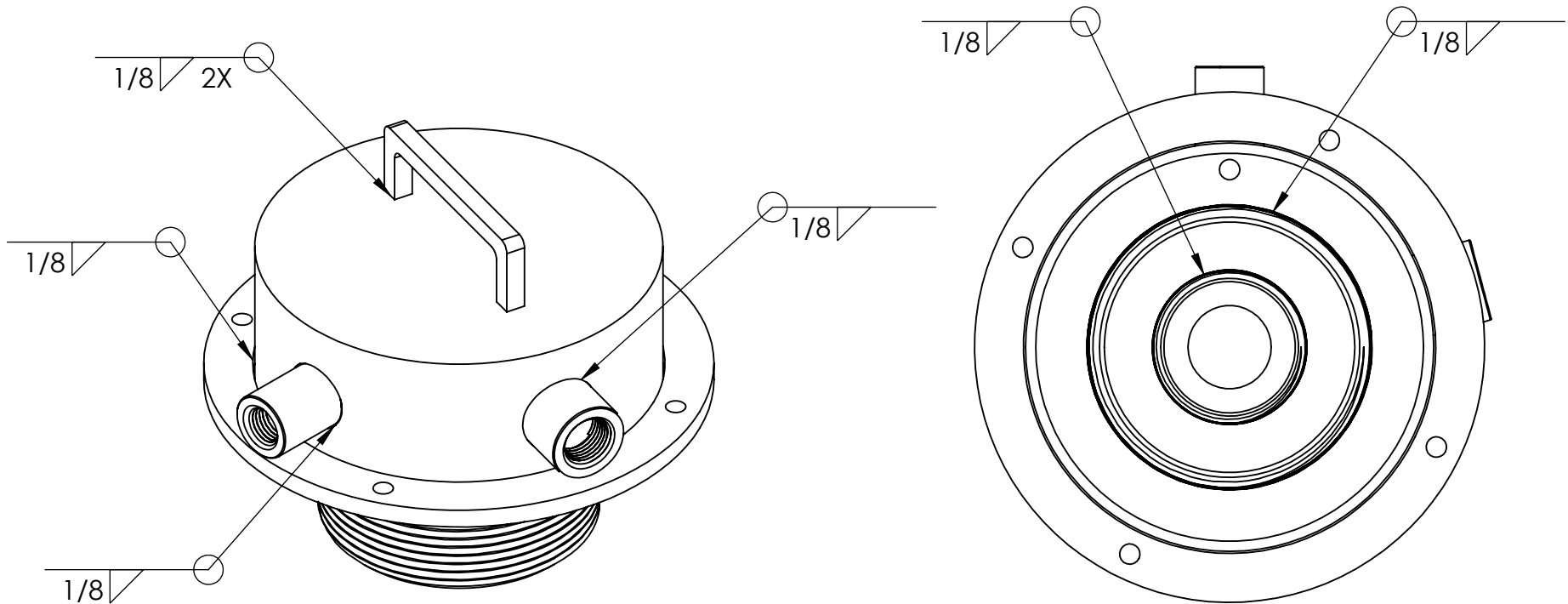
For Filter information reference
 PayPal Invoice #2018-1087
 when contacting Utah Biodiesel



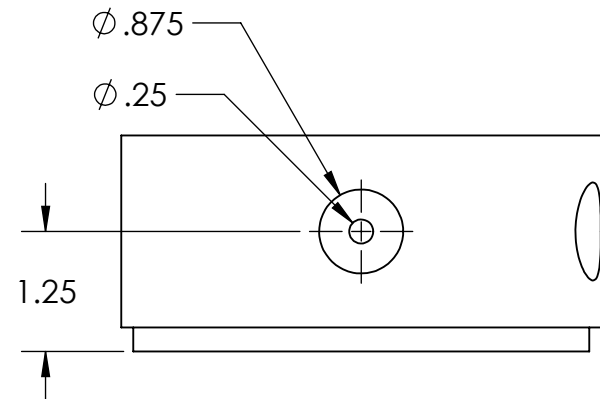
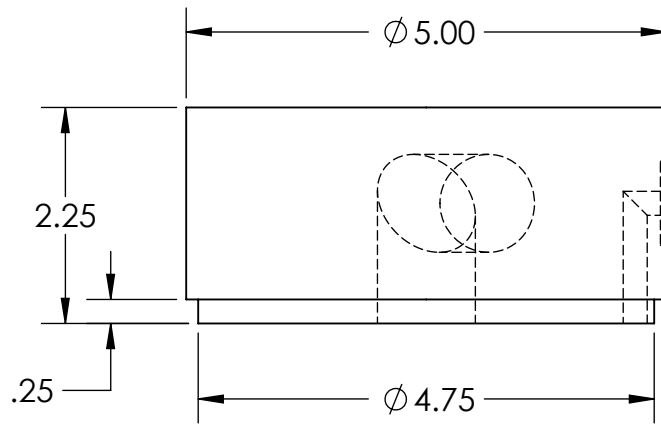
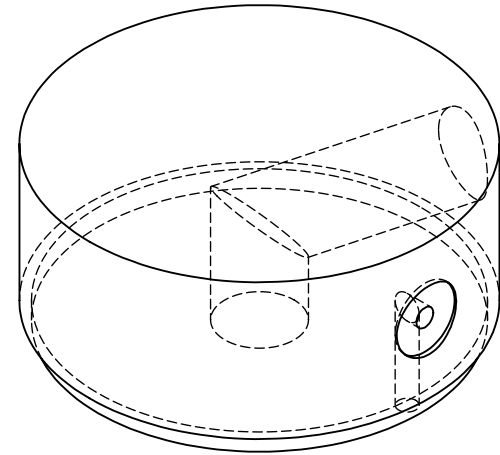
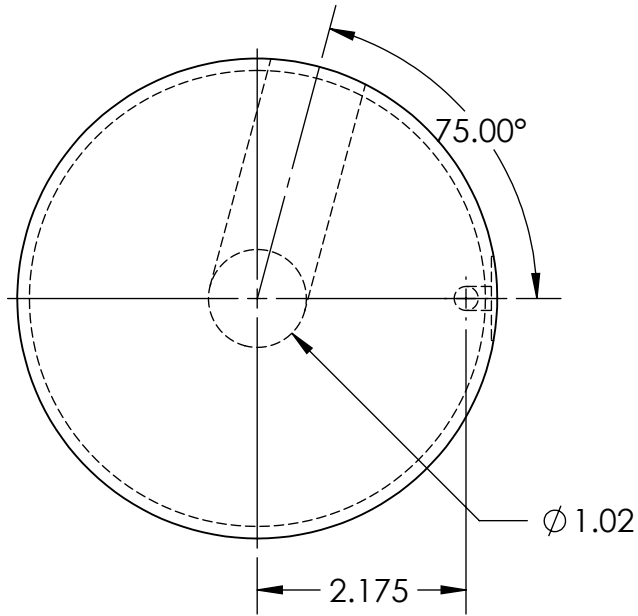
ITEM NO.	PART NUMBER	DESCRIPTION	QTY.
1	3-01	Filter Cap	1
2	2-05	Filter Flange	1
3	3-03	Filter Handle	1
4	9157K68	1 1/2" NPT Pipe Nipple (McMaster Carr)	1
5	9157K602	3" NPT Pipe Nipple (McMaster Carr)	1
6	N/A	Rough Filter (Utah Biodiesel)	1
7	N/A	Fine Filter (Utah Biodiesel)	1
8	4464K353	3/8" NPT Pipe Coupling (McMaster Carr)	1
9	4464K352	1/4" NPT Pipe Coupling (McMaster Carr)	1

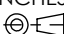
PROPRIETARY AND CONFIDENTIAL <small>THE INFORMATION CONTAINED IN THIS DRAWING IS THE SOLE PROPERTY OF UNIVERSITY OF IDAHO, ME DEPARTMENT. ANY REPRODUCTION IN PART OR AS A WHOLE WITHOUT THE WRITTEN PERMISSION OF UNIVERSITY OF IDAHO, ME DEPARTMENT IS PROHIBITED.</small>		DIMENSIONS ARE IN INCHES THIRD ANGLE PROJECTION		INL Grinder Water Filtration	
DEFAULT TOLERANCES: LINEAR: X.±.25 X.X±.1 X.XX±.01 X.XXX±.002		DESCRIPTION: Filter Assembly			
ANGULAR: X.± 2 X.X± 1 X.XX± 0 30'		CHECKED BY: Drew Fagan	DATE: 2/22/2018	PART #: 3-00	QTY: 1
		DRAWN BY: Tommy Moore	DATE: 2/22/2018	SCALE: 1:4	SHEET: 16 OF 37
		FILE NAME: 3-00.SLDPRT			

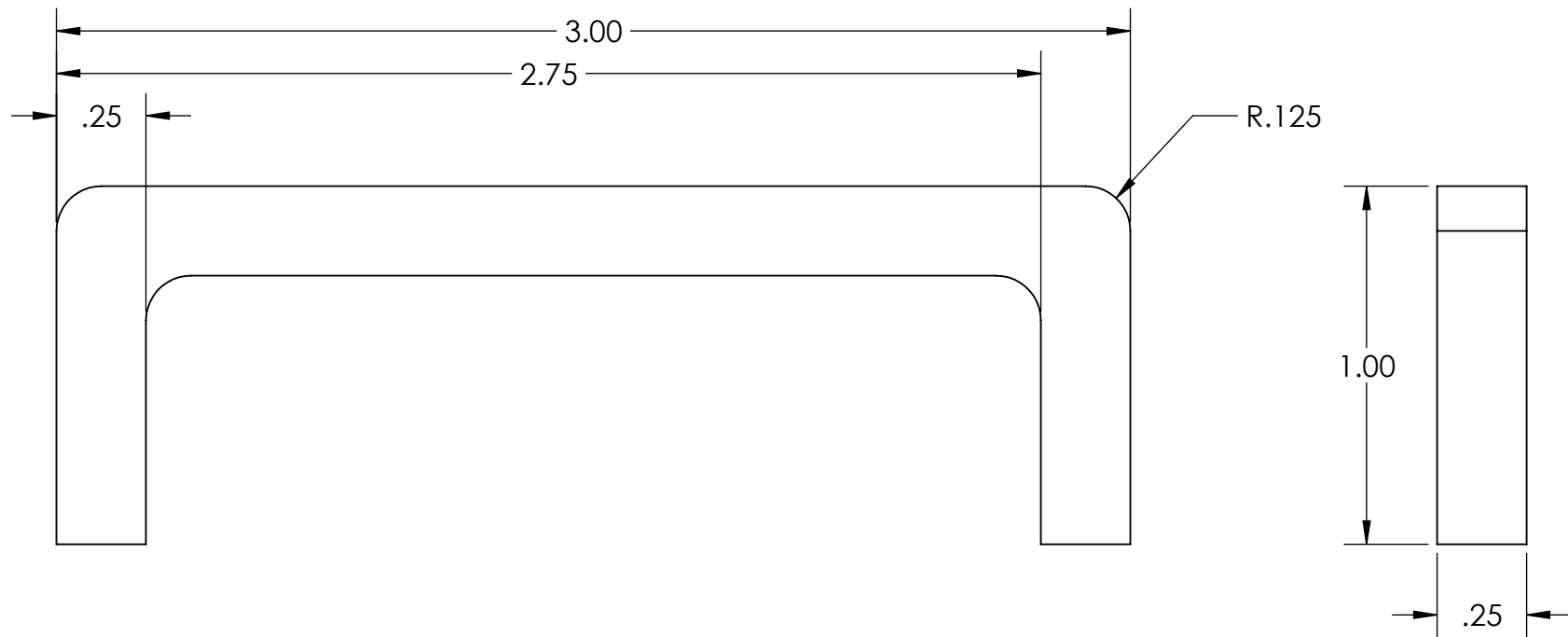
Item #5 has 3/4" taken off from McMaster Carr file

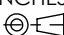


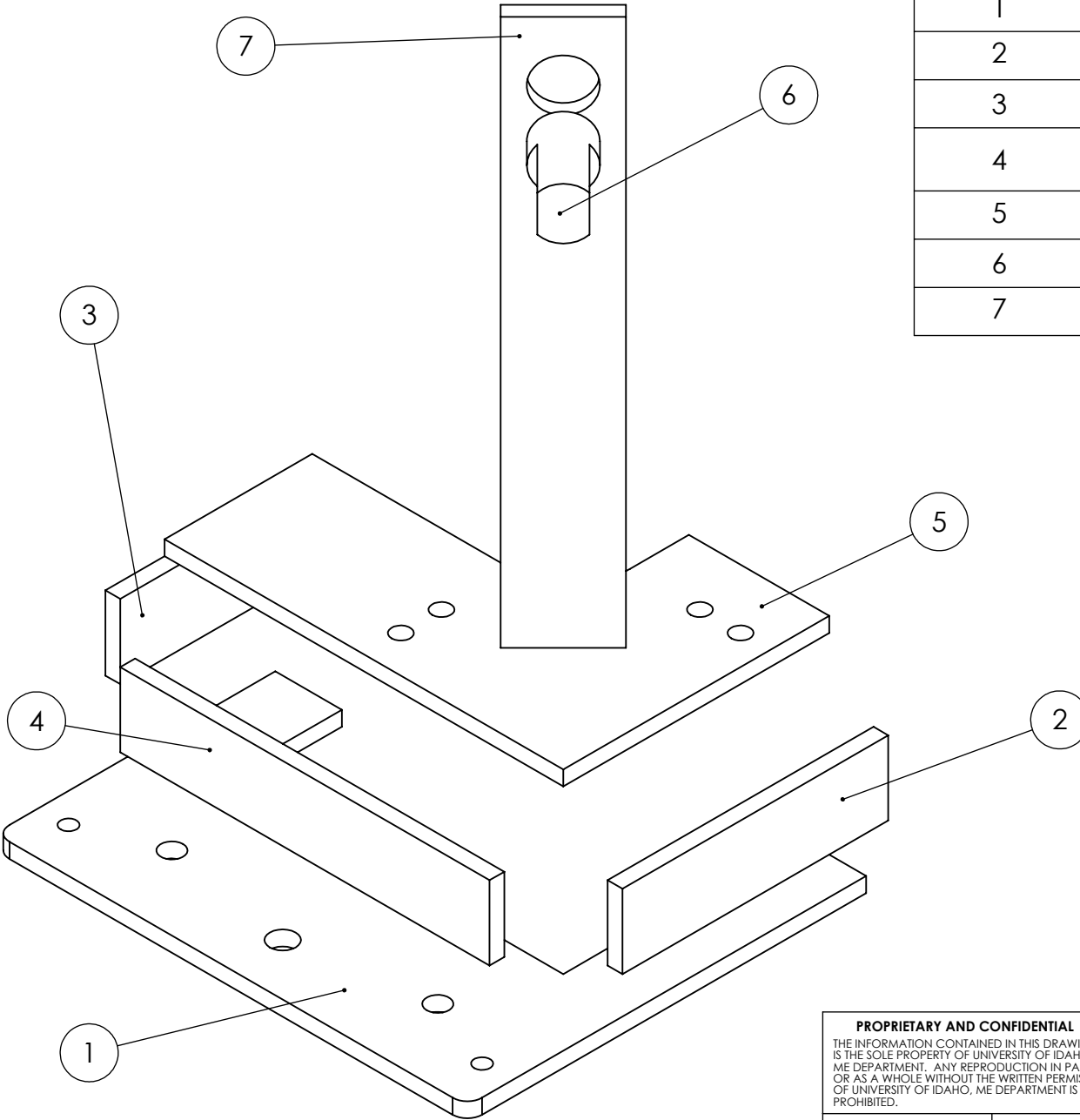
PROPRIETARY AND CONFIDENTIAL THE INFORMATION CONTAINED IN THIS DRAWING IS THE SOLE PROPERTY OF UNIVERSITY OF IDAHO, ME DEPARTMENT. ANY REPRODUCTION IN PART OR AS A WHOLE WITHOUT THE WRITTEN PERMISSION OF UNIVERSITY OF IDAHO, ME DEPARTMENT IS PROHIBITED.		DIMENSIONS ARE IN INCHES THIRD ANGLE PROJECTION		INL Grinder Water Filtration	
DEFAULT TOLERANCES:		DESCRIPTION: Filter Cap			
LINEAR: X. ± .25 X.X ± .1 X.XX ± .01 X.XXX ± .002	ANGULAR: X. ± 2 X.X ± 1 X.XX ± 0.30'	CHECKED BY: Drew Fagan	DATE: 3/2/2018	PART #: 3-00	QTY: 1
		DRAWN BY: Tommy Moore	DATE: 3/2/2018	SCALE: 1:2	SHEET: 17 OF 37
		FILE NAME: 3-00.SLDPRT			



PROPRIETARY AND CONFIDENTIAL THE INFORMATION CONTAINED IN THIS DRAWING IS THE SOLE PROPERTY OF UNIVERSITY OF IDAHO, ME DEPARTMENT. ANY REPRODUCTION IN PART OR AS A WHOLE WITHOUT THE WRITTEN PERMISSION OF UNIVERSITY OF IDAHO, ME DEPARTMENT IS PROHIBITED.		DIMENSIONS ARE IN INCHES THIRD ANGLE PROJECTION 		INL Grinder Water Filtration	
		MATERIAL: 304 SS			
DEFAULT TOLERANCES: LINEAR: X. ± .25 X.X ± .1 X.XX ± .01 X.XXX ± .002		DESCRIPTION: Filter Cap		UNIVERSITY OF IDAHO ME DEPARTMENT	
ANGULAR: X. ± 2 X.X ± 1 X.XX ± 0 30'		CHECKED BY: Drew Fagan	DATE: 3/2/2018		
		DRAWN BY: Tommy Moore	DATE: 3/2/2018	SCALE: 1:2	SHEET: 18 OF 37
		FILE NAME: 3-01.SLDPRT			

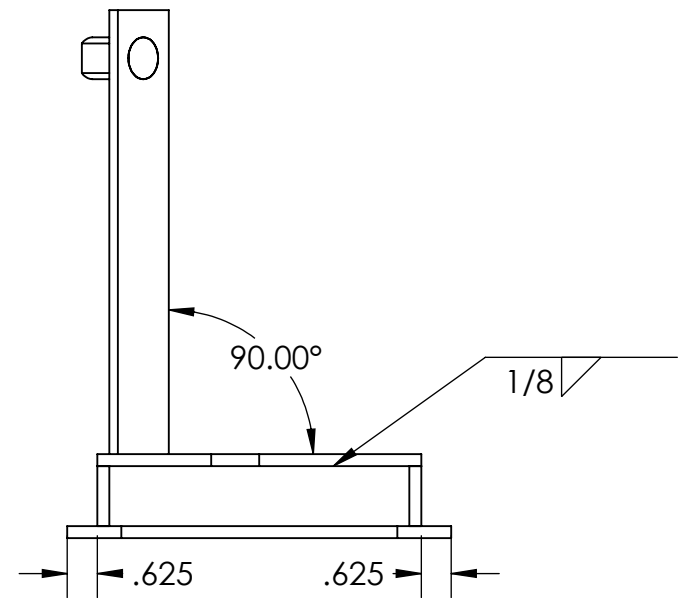
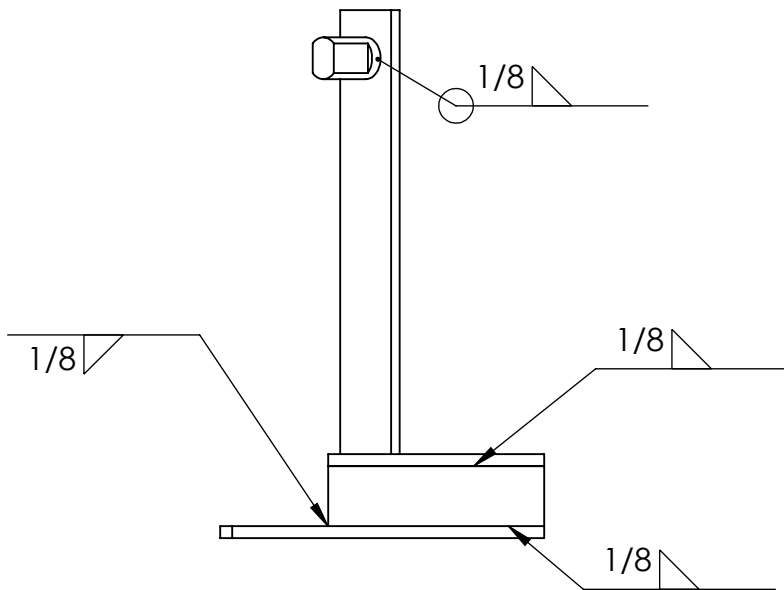
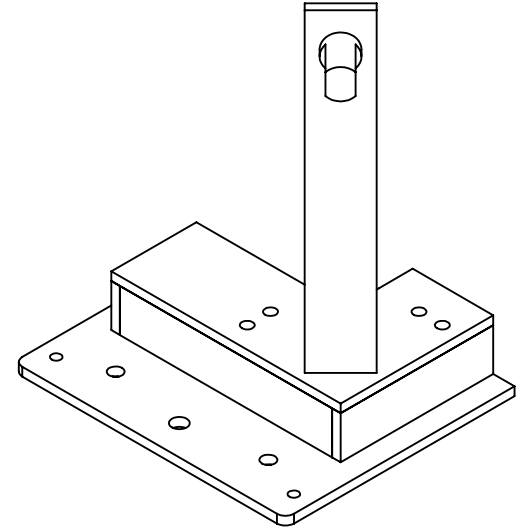
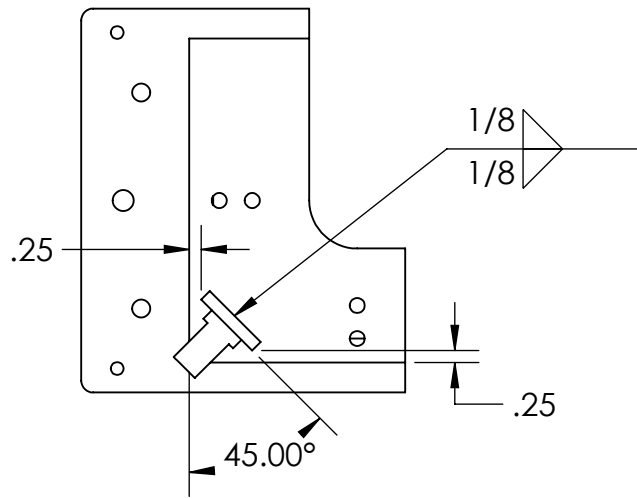


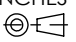
PROPRIETARY AND CONFIDENTIAL THE INFORMATION CONTAINED IN THIS DRAWING IS THE SOLE PROPERTY OF UNIVERSITY OF IDAHO, ME DEPARTMENT. ANY REPRODUCTION IN PART OR AS A WHOLE WITHOUT THE WRITTEN PERMISSION OF UNIVERSITY OF IDAHO, ME DEPARTMENT IS PROHIBITED.		DIMENSIONS ARE IN INCHES THIRD ANGLE PROJECTION 		INL Grinder Water Filtration	
		MATERIAL: 304 SS			
DEFAULT TOLERANCES:		DESCRIPTION: Filter Handle		UNIVERSITY OF IDAHO ME DEPARTMENT	
LINEAR: X. ± .25 X.X ± .1 X.XX ± .01 X.XXX ± .002	ANGULAR: X. ± 2 X.X ± 1 X.XX ± 0 30'	CHECKED BY: Drew Fagan	DATE: 3/2/2018		
		DRAWN BY: Tommy Moore	DATE: 3/2/2018	PART #: 3-02	QTY: 1
		FILE NAME: 3-02.SLDPRT	SCALE: 2:1	SHEET: 19 OF 37	

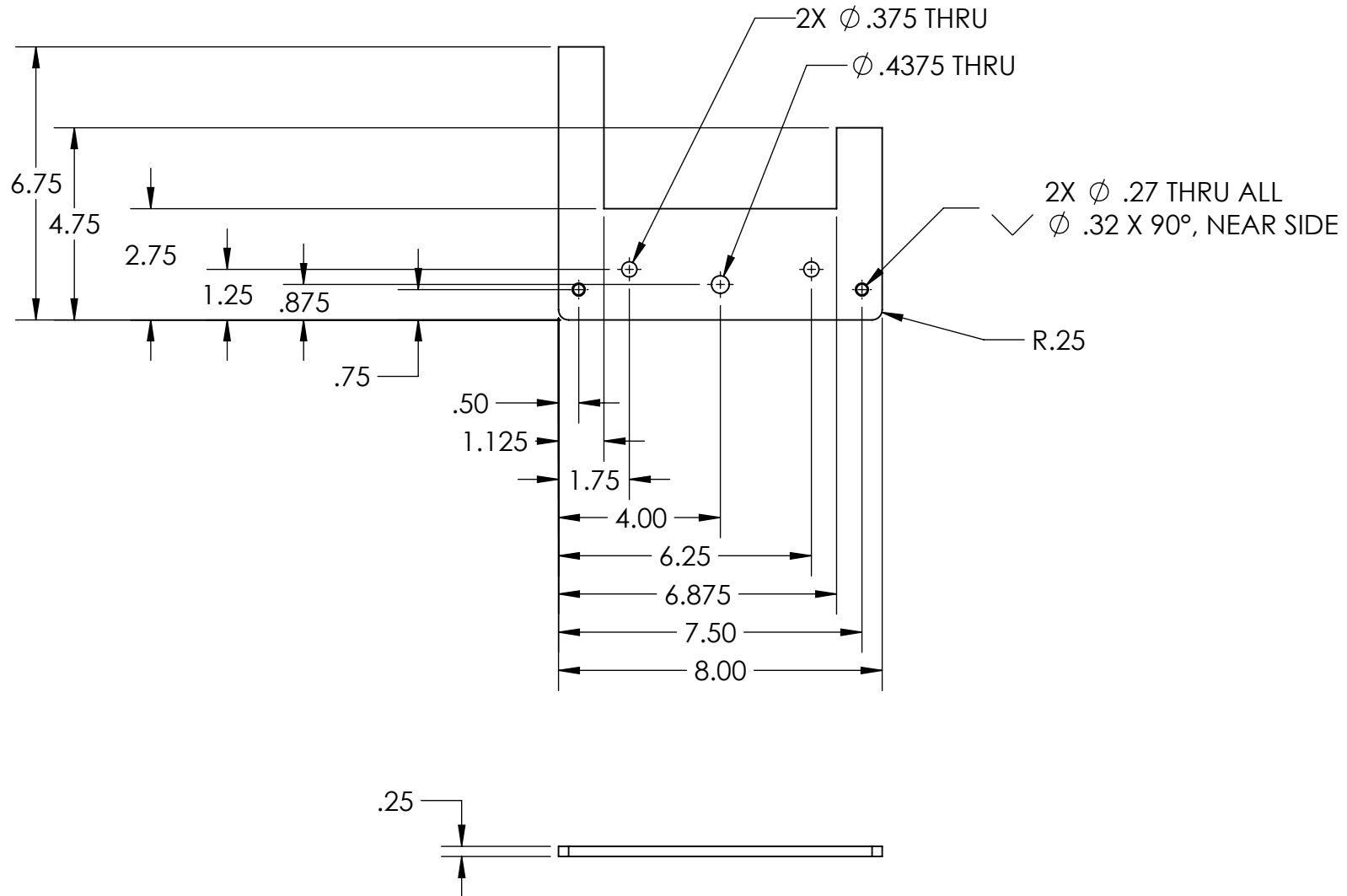


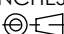
ITEM NO.	PART NUMBER	DESCRIPTION	QTY.
1	4-01	Front Side Base	1
2	4-02	Large Side Plate	1
3	4-03	Small Side Plate	1
4	4-04	Front/Back Vertical Plate	1
5	4-05	Pump Mount Plate	1
6	4-06	EMM Hook Pin	1
7	4-07	EMM Support	1

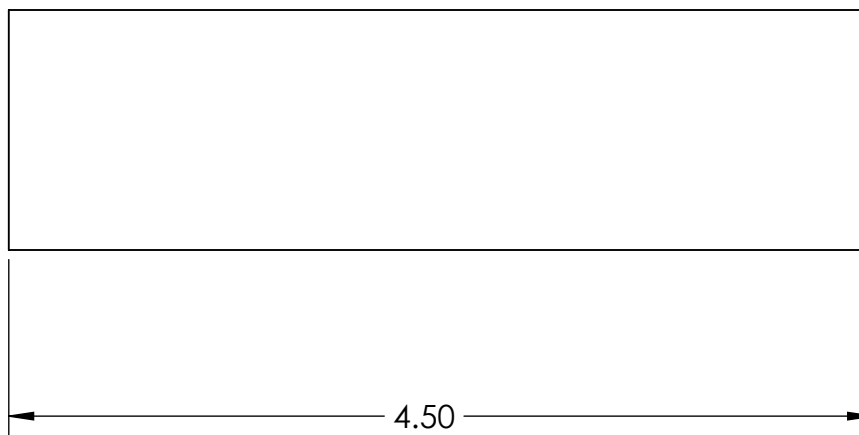
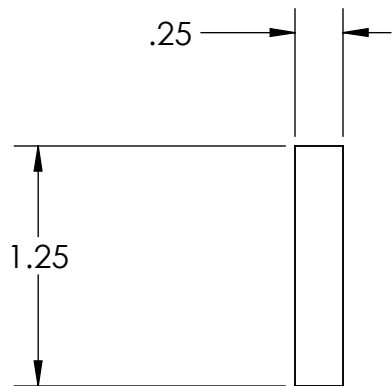
PROPRIETARY AND CONFIDENTIAL THE INFORMATION CONTAINED IN THIS DRAWING IS THE SOLE PROPERTY OF UNIVERSITY OF IDAHO, ME DEPARTMENT. ANY REPRODUCTION IN PART OR AS A WHOLE WITHOUT THE WRITTEN PERMISSION OF UNIVERSITY OF IDAHO, ME DEPARTMENT IS PROHIBITED.		DIMENSIONS ARE IN INCHES THIRD ANGLE PROJECTION		INL Grinder Water Filtration	
DEFAULT TOLERANCES: LINEAR: X. ± .25 X.X ± .1 X.XX ± .01 X.XXX ± .002		DESCRIPTION: Pump Mount- Filter Side			
ANGULAR: X. ± 2 X.X ± 1 X.XX ± 0 30'		CHECKED BY: Jerry Kahn	DATE: 3/7/2018	PART #: 4-00	QTY: 1
		DRAWN BY: Drew Fagan	DATE: 3/4/2018	SCALE: 1:2	SHEET: 20 OF 37
		FILE NAME: 4-00.SLDPRT			

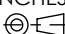


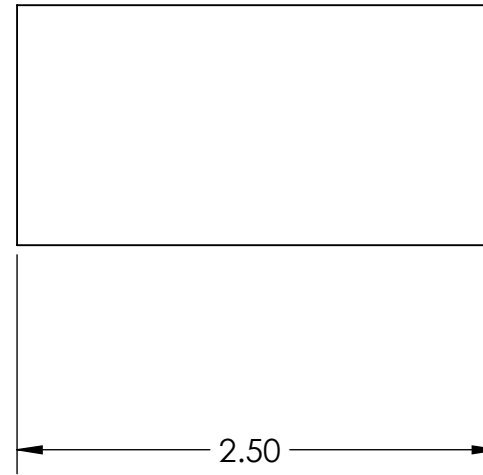
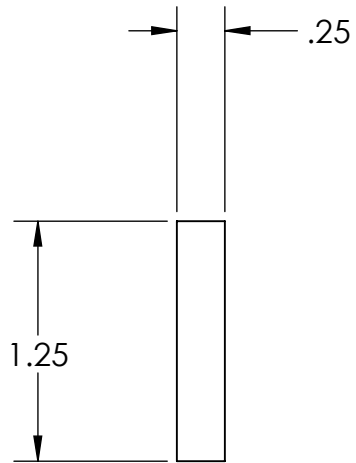
PROPRIETARY AND CONFIDENTIAL THE INFORMATION CONTAINED IN THIS DRAWING IS THE SOLE PROPERTY OF UNIVERSITY OF IDAHO, ME DEPARTMENT. ANY REPRODUCTION IN PART OR AS A WHOLE WITHOUT THE WRITTEN PERMISSION OF UNIVERSITY OF IDAHO, ME DEPARTMENT IS PROHIBITED.		DIMENSIONS ARE IN INCHES THIRD ANGLE PROJECTION 		INL Grinder Water Filtration	
DEFAULT TOLERANCES:		DESCRIPTION: Weld Drawing for Pump Mount- Filter Side		UNIVERSITY OF IDAHO ME DEPARTMENT	
LINEAR: X. ± .25 X.X ± .1 X.XX ± .01 X.XXX ± .002	ANGULAR: X. ± 2 X.X ± 1 X.XX ± 0.30'	CHECKED BY: Jerry Kahn	DATE: 5/1/2018	PART #: 4-00W	QTY: 1
		DRAWN BY: Drew Fagan	DATE: 5/3/2018	SCALE: 1:4	SHEET: 21 OF 37
		FILE NAME: 4-00.SLDPRT			

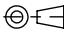


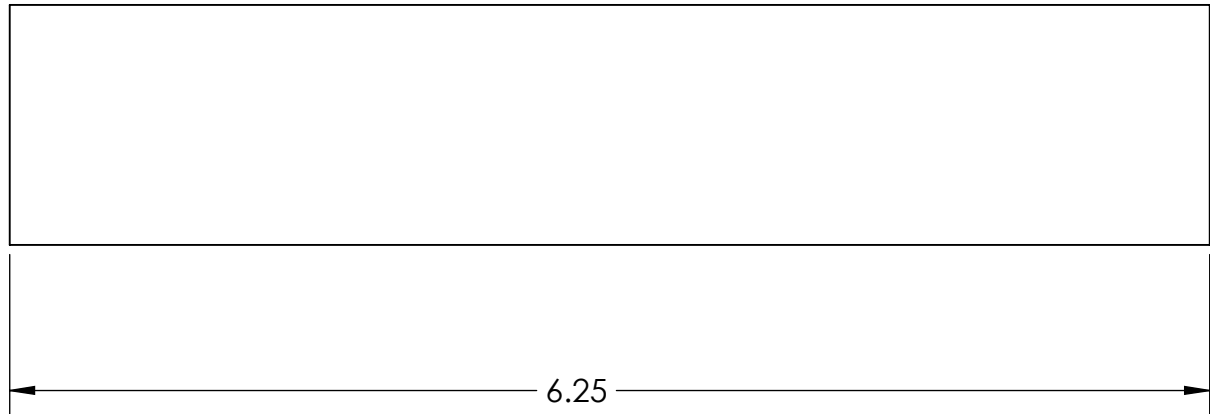
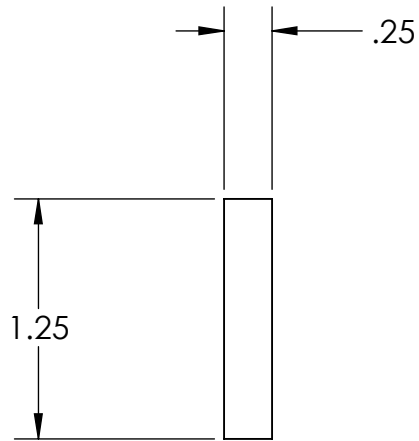
PROPRIETARY AND CONFIDENTIAL THE INFORMATION CONTAINED IN THIS DRAWING IS THE SOLE PROPERTY OF UNIVERSITY OF IDAHO, ME DEPARTMENT. ANY REPRODUCTION IN PART OR AS A WHOLE WITHOUT THE WRITTEN PERMISSION OF UNIVERSITY OF IDAHO, ME DEPARTMENT IS PROHIBITED.		DIMENSIONS ARE IN INCHES THIRD ANGLE PROJECTION 		INL Grinder Water Filtration	
DEFAULT TOLERANCES:		MATERIAL:			
LINER: X. ± .25 X.X ± .1 X.XX ± .01 X.XXX ± .002	ANGULAR: X. ± 2 X.X ± 1 X.XX ± 0 30'	DESCRIPTION: Baseplate Connection-Filter Side		UNIVERSITY OF IDAHO ME DEPARTMENT	
		CHECKED BY: Jerry Kahn	DATE: 5/1/2018		
		DRAWN BY: Drew Fagan	DATE: 5/3/2018	SCALE: 1:4	SHEET: 22 OF 37
		FILE NAME: 4-01.SLDPR			

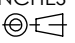


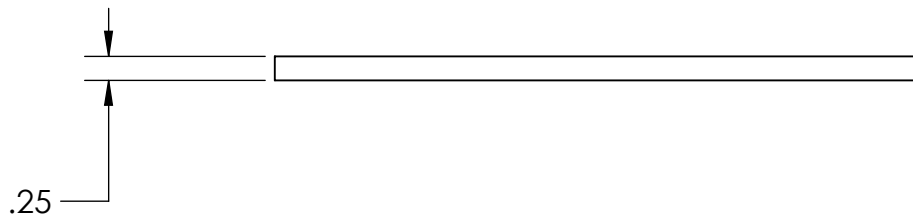
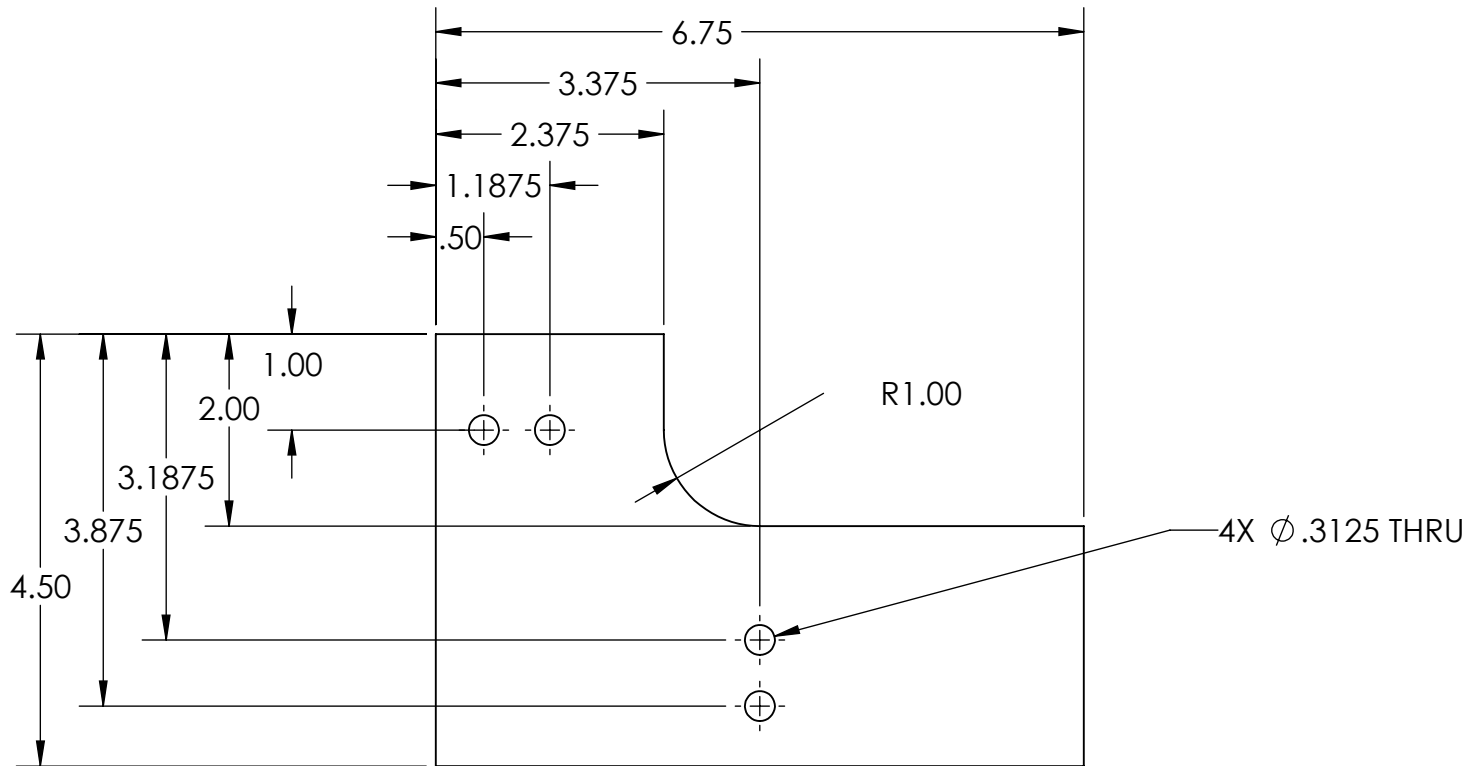
PROPRIETARY AND CONFIDENTIAL THE INFORMATION CONTAINED IN THIS DRAWING IS THE SOLE PROPERTY OF UNIVERSITY OF IDAHO, ME DEPARTMENT. ANY REPRODUCTION IN PART OR AS A WHOLE WITHOUT THE WRITTEN PERMISSION OF UNIVERSITY OF IDAHO, ME DEPARTMENT IS PROHIBITED.		DIMENSIONS ARE IN INCHES THIRD ANGLE PROJECTION 		INL Grinder Water Filtration	
DEFAULT TOLERANCES: LINEAR: X. ± .25 X.X ± .1 X.XX ± .01 X.XXX ± .002		DESCRIPTION: Large Side Plate			
ANGULAR: X. ± 2 X.X ± 1 X.XX ± 0 30'		CHECKED BY: Jerry Kahn	DATE: 5/1/2018	PART #: 4-02	QTY: 2
DRAWN BY: Drew Fagan		DATE: 5/3/2018	SCALE: 1:1	SHEET: 23 OF 37	
FILE NAME: 4-02.SLDprt					

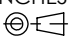


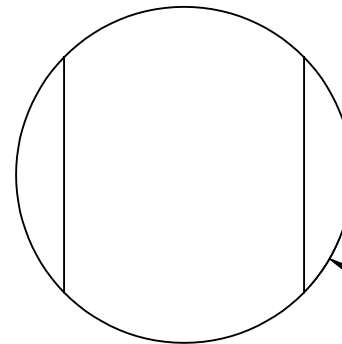
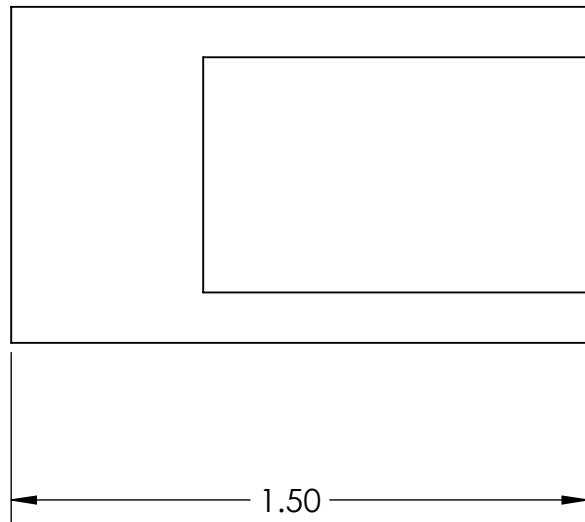
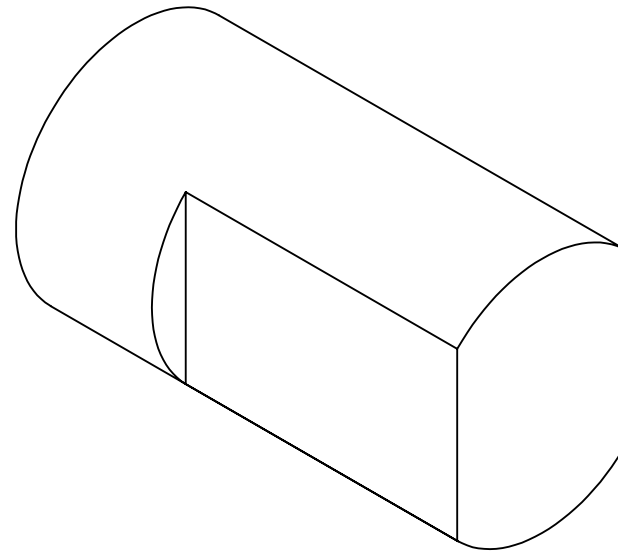
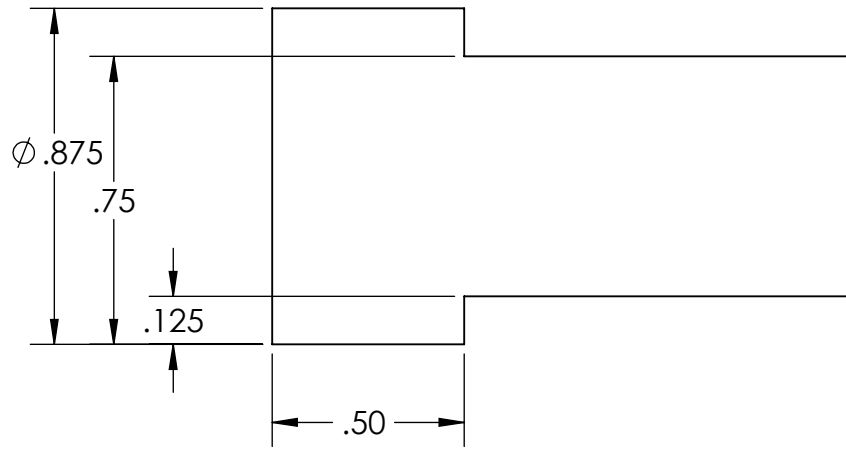
PROPRIETARY AND CONFIDENTIAL THE INFORMATION CONTAINED IN THIS DRAWING IS THE SOLE PROPERTY OF UNIVERSITY OF IDAHO, ME DEPARTMENT. ANY REPRODUCTION IN PART OR AS A WHOLE WITHOUT THE WRITTEN PERMISSION OF UNIVERSITY OF IDAHO, ME DEPARTMENT IS PROHIBITED.		DIMENSIONS ARE IN INCHES THIRD ANGLE PROJECTION 		INL Grinder Water Filtration	
		MATERIAL:			
DEFAULT TOLERANCES: LINEAR: X. ± .25 X.X ± .1 X.XX ± .01 X.XXX ± .002		DESCRIPTION: Small Side Plate		UNIVERSITY OF IDAHO ME DEPARTMENT	
ANGULAR: X. ± 2 X.X ± 1 X.XX ± 0 30'		CHECKED BY: Jerry Kahn	DATE: 5/1/2018		
		DRAWN BY: Drew Fagan	DATE: 5/3/2018	SCALE: 1:1	SHEET: 24 OF 37
		FILE NAME: 4-03.SLDPRT			



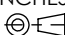
PROPRIETARY AND CONFIDENTIAL THE INFORMATION CONTAINED IN THIS DRAWING IS THE SOLE PROPERTY OF UNIVERSITY OF IDAHO, ME DEPARTMENT. ANY REPRODUCTION IN PART OR AS A WHOLE WITHOUT THE WRITTEN PERMISSION OF UNIVERSITY OF IDAHO, ME DEPARTMENT IS PROHIBITED.		DIMENSIONS ARE IN INCHES THIRD ANGLE PROJECTION 		INL Grinder Water Filtration	
DEFAULT TOLERANCES: LINEAR: X. ± .25 X.X ± .1 X.XX ± .01 X.XXX ± .002		DESCRIPTION: Front/Back Vertical Plate			
ANGULAR: X. ± 2 X.X ± 1 X.XX ± 0 30'		CHECKED BY: Jerry Kahn	DATE: 5/1/2018	PART #: 4-04	QTY: 2
		DRAWN BY: Drew Fagan	DATE: 5/3/2018	SCALE: 1:1	SHEET: 25 OF 37
		FILE NAME: 4-04.SLDPRT			

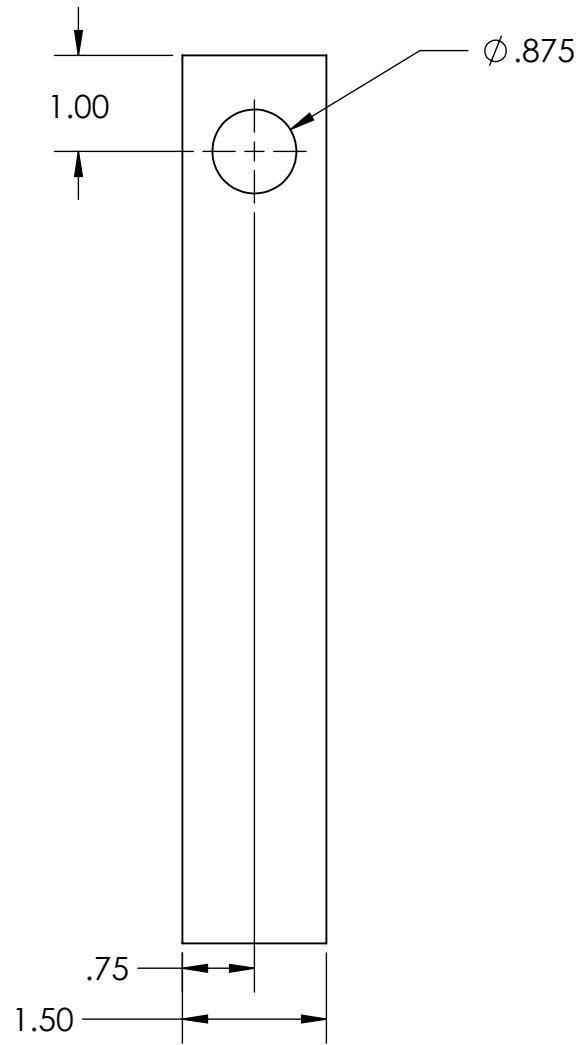
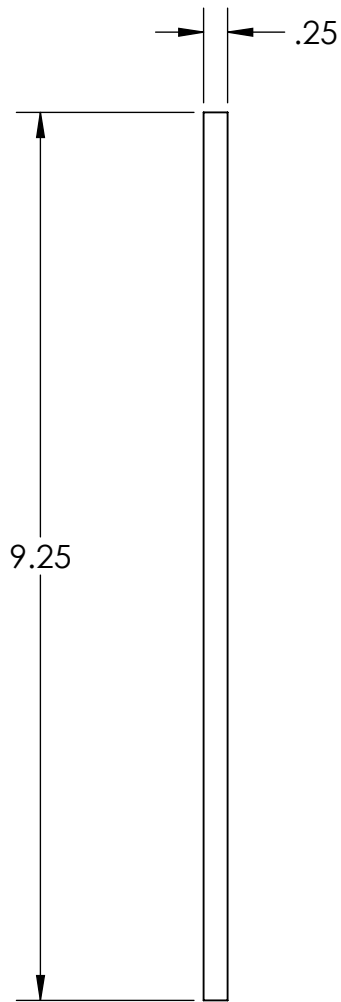


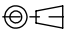
PROPRIETARY AND CONFIDENTIAL THE INFORMATION CONTAINED IN THIS DRAWING IS THE SOLE PROPERTY OF UNIVERSITY OF IDAHO, ME DEPARTMENT. ANY REPRODUCTION IN PART OR AS A WHOLE WITHOUT THE WRITTEN PERMISSION OF UNIVERSITY OF IDAHO, ME DEPARTMENT IS PROHIBITED.		DIMENSIONS ARE IN INCHES THIRD ANGLE PROJECTION 		INL Grinder Water Filtration	
DEFAULT TOLERANCES:		DESCRIPTION: Pump Mount Plate			
LINEAR: X. ± .25 X.X ± .1 X.XX ± .01 X.XXX ± .002	ANGULAR: X. ± 2 X.X ± 1 X.XX ± 0 30'	CHECKED BY: Jerry Kahn	DATE: 5/1/2018	PART #: 4-05	QTY: 2
		DRAWN BY: Drew Fagan	DATE: 5/3/2018	SCALE: 1:2	SHEET: 26 OF 37
		FILE NAME: 4-05.SLDPRT			

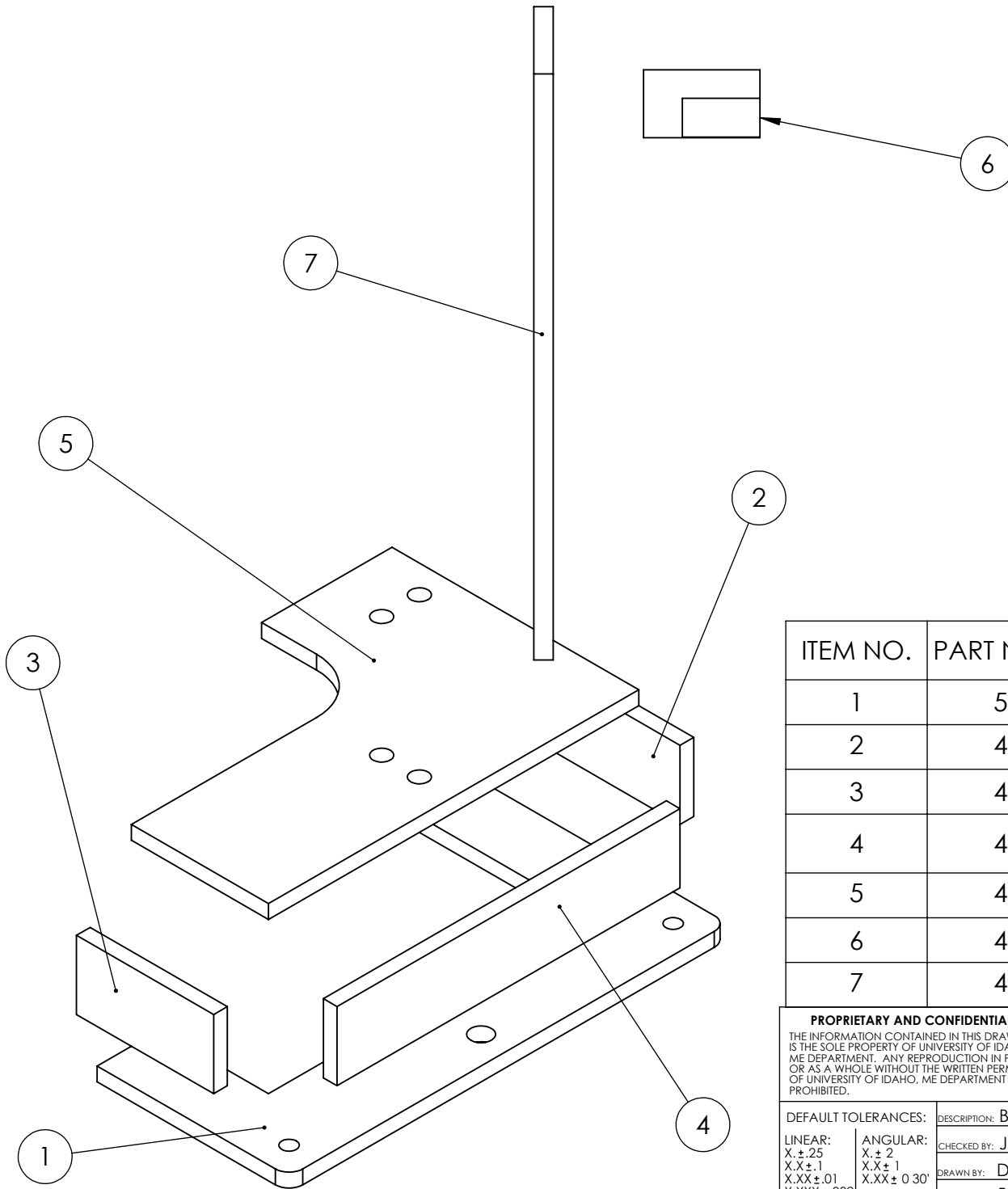


R.4375

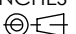
PROPRIETARY AND CONFIDENTIAL THE INFORMATION CONTAINED IN THIS DRAWING IS THE SOLE PROPERTY OF UNIVERSITY OF IDAHO, ME DEPARTMENT. ANY REPRODUCTION IN PART OR AS A WHOLE WITHOUT THE WRITTEN PERMISSION OF UNIVERSITY OF IDAHO, ME DEPARTMENT IS PROHIBITED.		DIMENSIONS ARE IN INCHES THIRD ANGLE PROJECTION 		INL Grinder Water Filtration	
DEFAULT TOLERANCES:		DESCRIPTION: EMM Connection		UNIVERSITY OF IDAHO ME DEPARTMENT	
LINEAR: X. $\pm .25$ X.X $\pm .1$ X.XX $\pm .01$ X.XXX $\pm .002$	ANGULAR: X. ± 2 X.X ± 1 X.XX $\pm 0.30'$	CHECKED BY: Jerry Kahn	DATE: 5/1/2018	PART #: 4-06	QTY: 2
		DRAWN BY: Drew Fagan	DATE: 5/3/2018	SCALE: 2:1	SHEET: 27 OF 37
		FILE NAME: 4-06.SLDPRT			

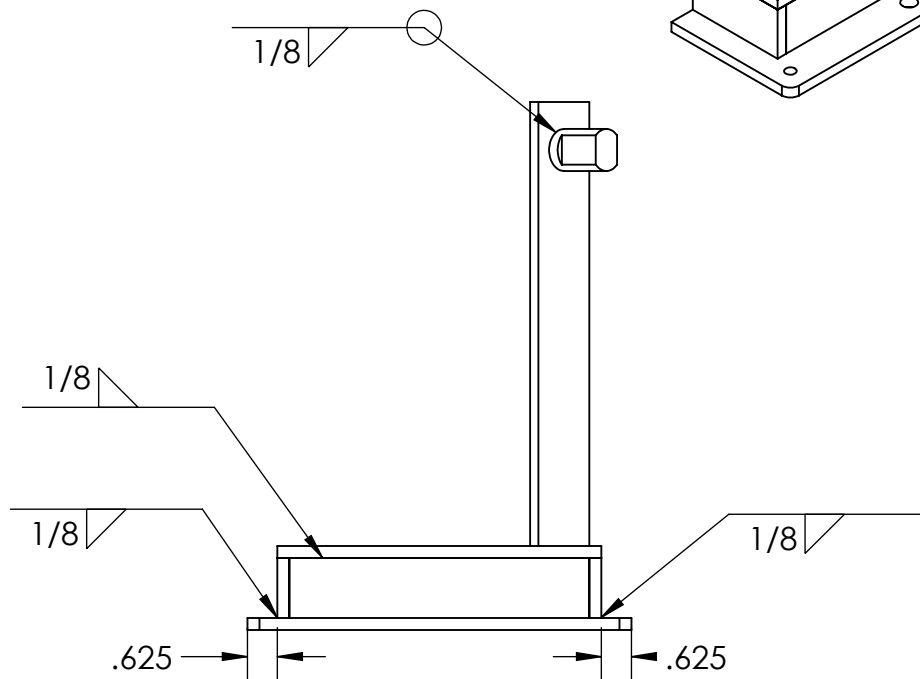
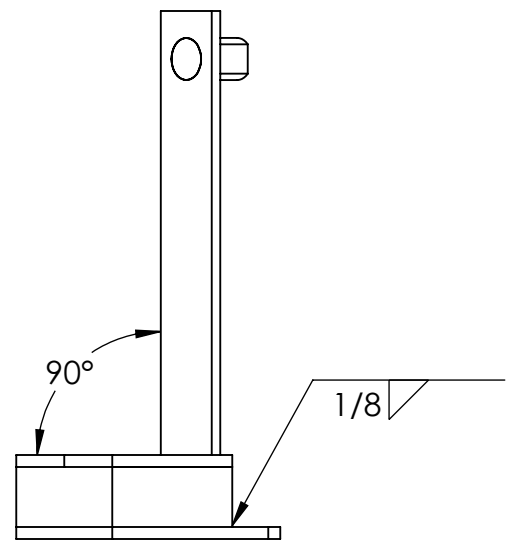
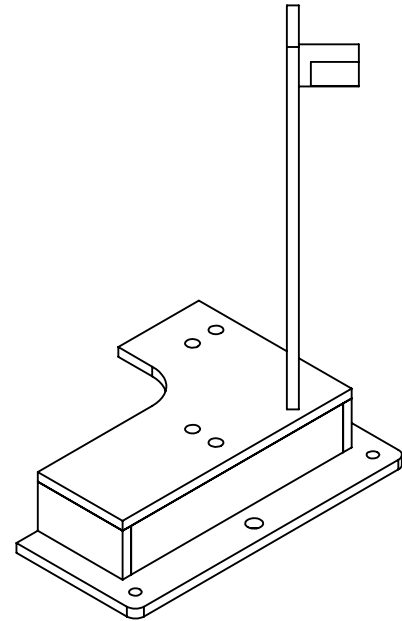
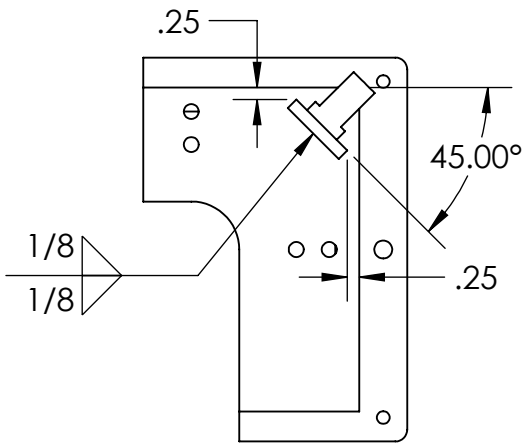


PROPRIETARY AND CONFIDENTIAL THE INFORMATION CONTAINED IN THIS DRAWING IS THE SOLE PROPERTY OF UNIVERSITY OF IDAHO, ME DEPARTMENT. ANY REPRODUCTION IN PART OR AS A WHOLE WITHOUT THE WRITTEN PERMISSION OF UNIVERSITY OF IDAHO, ME DEPARTMENT IS PROHIBITED.		DIMENSIONS ARE IN INCHES THIRD ANGLE PROJECTION 		INL Grinder Water Filtration	
DEFAULT TOLERANCES:		DESCRIPTION: EMM Support			
LINEAR: X. ± .25 X.X ± .1 X.XX ± .01 X.XXX ± .002	ANGULAR: X. ± 2 X.X ± 1 X.XX ± 0 30'	CHECKED BY: Troy Sanders	DATE: 5/1/2018	PART #: 4-07	QTY: 2
		DRAWN BY: Drew Fagan	DATE: 5/3/2018	SCALE: 1:2	SHEET: 28 OF 37
		FILE NAME: 4-07.SLDPRT			

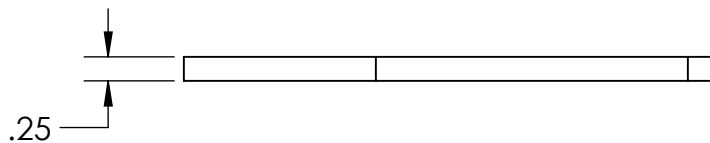
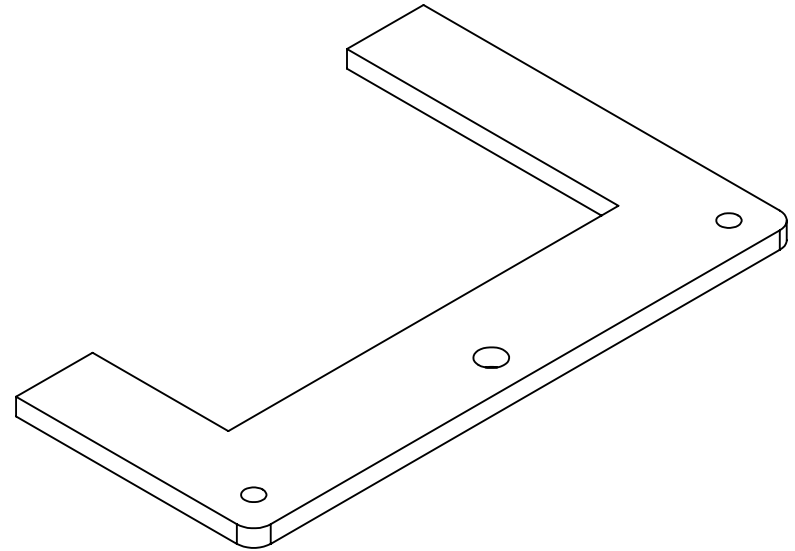
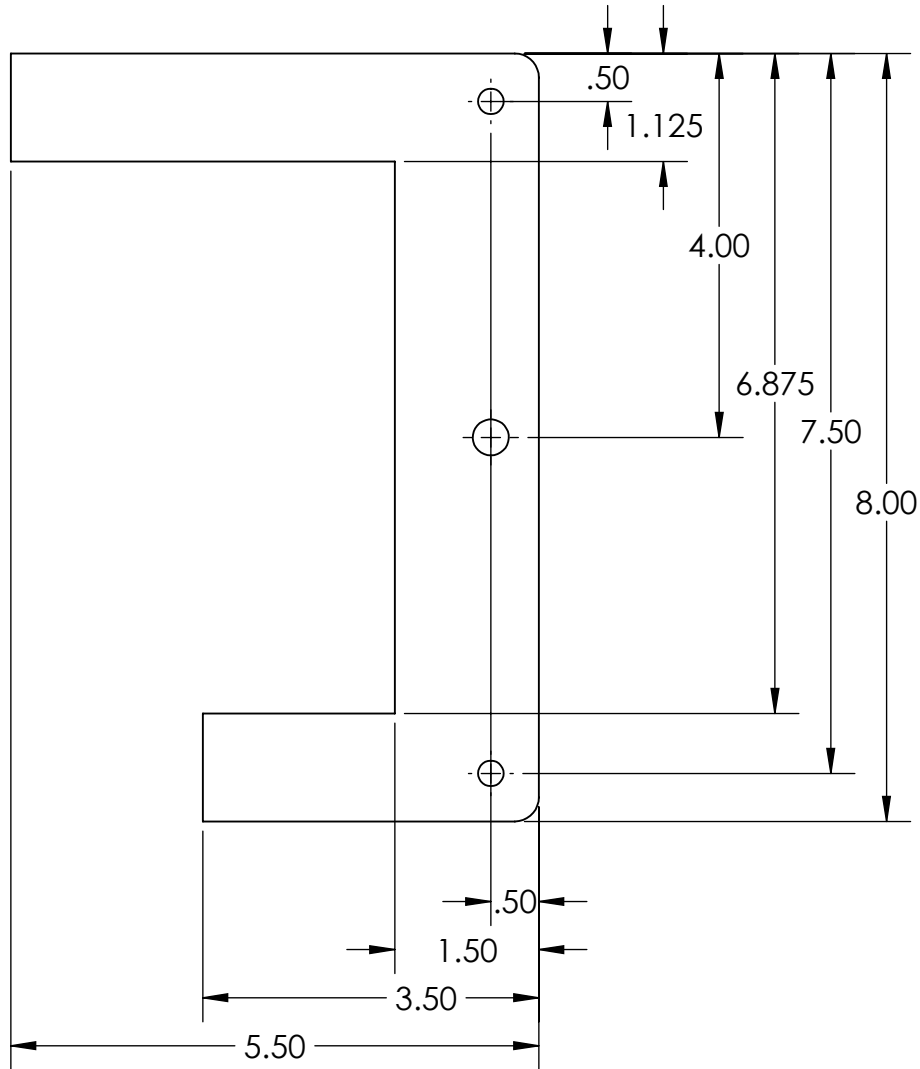


ITEM NO.	PART NUMBER	DESCRIPTION	QTY.
1	5-01	Back Side Base	1
2	4-02	Large Side Plate	1
3	4-03	Small Side Plate	1
4	4-04	Front/Back Vertical Plate	1
5	4-05	Pump Mount Plate	1
6	4-06	EMM Hook Pin	1
7	4-07	EMM Support	1

PROPRIETARY AND CONFIDENTIAL THE INFORMATION CONTAINED IN THIS DRAWING IS THE SOLE PROPERTY OF UNIVERSITY OF IDAHO, ME DEPARTMENT. ANY REPRODUCTION IN PART OR AS A WHOLE WITHOUT THE WRITTEN PERMISSION OF UNIVERSITY OF IDAHO, ME DEPARTMENT IS PROHIBITED.		DIMENSIONS ARE IN INCHES THIRD ANGLE PROJECTION 		INL Grinder Water Filtration	
DEFAULT TOLERANCES:		DESCRIPTION: Back Side Pump Mount			
LINEAR: X. ± .25 X.X ± .1 X.XX ± .01 X.XXX ± .002	ANGULAR: X. ± 2 X.X ± 1 X.XX ± 0 30'	CHECKED BY: Jerry Kahn	DATE: 5/2/2018	PART #: 5-00	QTY: 1
		DRAWN BY: Drew Fagan	DATE: 3/27/2018	SCALE: 1:2	SHEET: 29 OF 37
		FILE NAME: 5-00.SLDPRT			

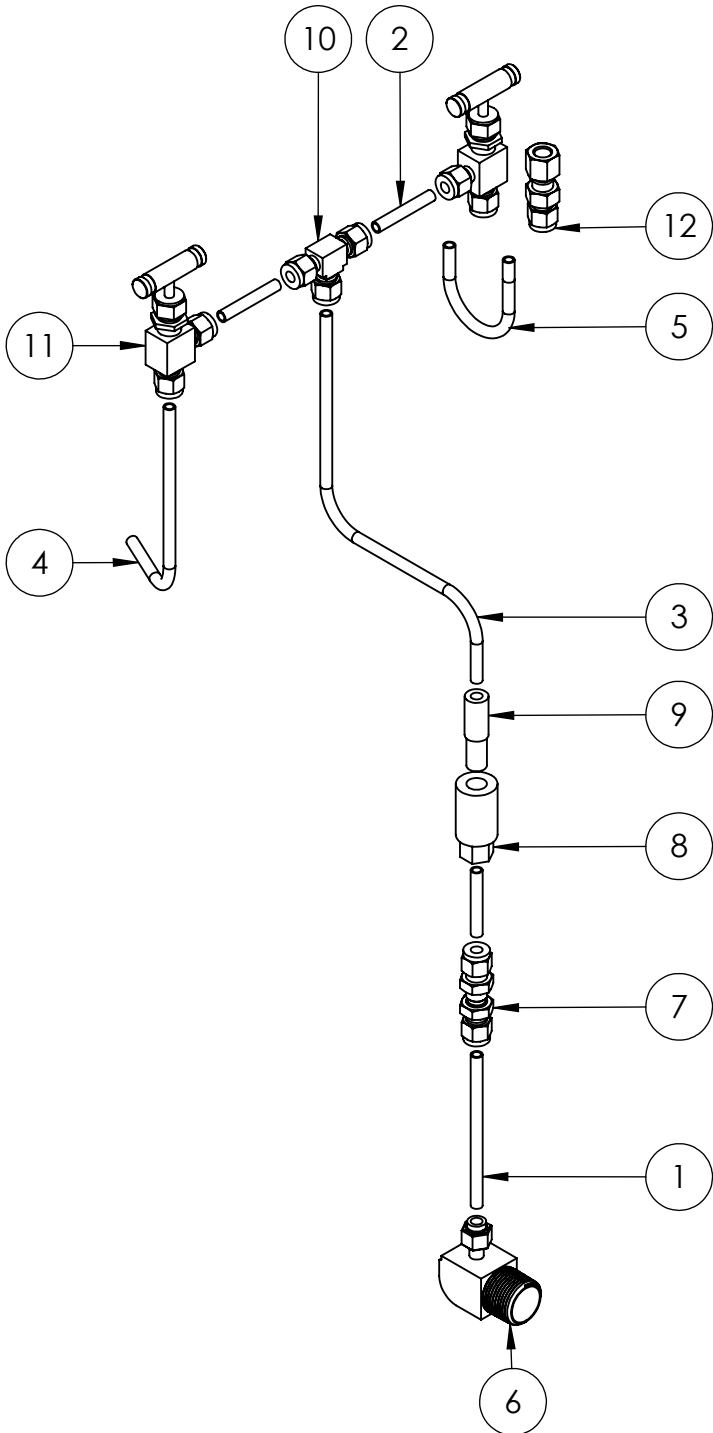


PROPRIETARY AND CONFIDENTIAL THE INFORMATION CONTAINED IN THIS DRAWING IS THE SOLE PROPERTY OF UNIVERSITY OF IDAHO, ME DEPARTMENT. ANY REPRODUCTION IN PART OR AS A WHOLE WITHOUT THE WRITTEN PERMISSION OF UNIVERSITY OF IDAHO, ME DEPARTMENT IS PROHIBITED.		DIMENSIONS ARE IN INCHES THIRD ANGLE PROJECTION		INL Grinder Water Filtration	
DEFAULT TOLERANCES: LINEAR: X.±.25 X.X±.1 X.XX±.01 X.XXX±.002		DESCRIPTION: Pump Mount- Backside Welds CHECKED BY: Jerry Kahn DRAWN BY: Drew Fagan FILE NAME: 5-00.SLDPRT		MATERIAL: UNIVERSITY OF IDAHO ME DEPARTMENT	
ANGULAR: X.± 2 X.X± 1 X.XX± 0 30'		DATE: 5/2/2018 DATE: 5/3/2018		PART #: 5-00 QTY: 1 SCALE: 1:4 SHEET: 30 OF 37	



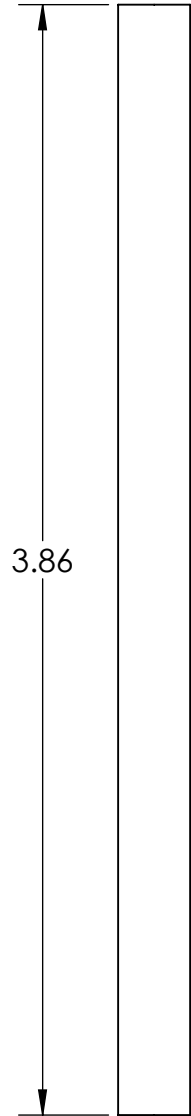
PROPRIETARY AND CONFIDENTIAL THE INFORMATION CONTAINED IN THIS DRAWING IS THE SOLE PROPERTY OF UNIVERSITY OF IDAHO, ME DEPARTMENT. ANY REPRODUCTION IN PART OR AS A WHOLE WITHOUT THE WRITTEN PERMISSION OF UNIVERSITY OF IDAHO, ME DEPARTMENT IS PROHIBITED.		DIMENSIONS ARE IN INCHES THIRD ANGLE PROJECTION		INL Grinder Water Filtration	
DEFAULT TOLERANCES:		MATERIAL: 304 SS			
LINER: X. ± .25 X.X ± .1 X.XX ± .01 X.XXX ± .002	ANGULAR: X. ± 2 X.X ± 1 X.XX ± 0 30'	DESCRIPTION: Back Side Base	CHECKED BY: Jerry Kahn	DATE: 5/2/2018	UNIVERSITY OF IDAHO ME DEPARTMENT
		DRAWN BY: Drew Fagan	DATE: 3/27/2018	PART #: 5-01	
		FILE NAME: 5-01.SLDPRT	SCALE: 1:2	SHEET: 31 OF 37	

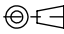
All Tubing is standard 1/4" 304 SS

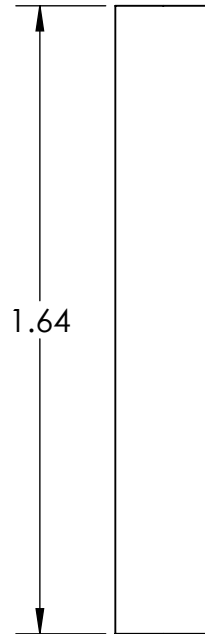


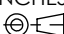
ITEM NO.	PART NUMBER	DESCRIPTION	QTY.
1	6-01	Outlet from Pump	1
2	6-02	Short Straight	3
3	6-03	Quick Connect to Tee	1
4	6-04	Bypass Tubing	1
5	6-05	Valve to Nozzle	1
6	SS-400-2-12	3/4" NPT to 1/4" Tube Elbow (Swagelok)	1
7	SS-400-61	1/4" Bulkhead Connector (Swagelok)	1
8	SS-QF4-B-400 (fake)	Quick Connect Body 1/4" Tube (Swagelok)	1
9	SS-QF4-S-400(Fake)	Quick Connect Stem 1/4" Tube (Swagelok)	1
10	SS-400-3	1/4" Tube Tee (Swagelok)	1
11	SS-1RS4-A-SH	Integral Bonnet Needle Valve 1/4" Tube (Swagelok)	2
12	SS-400-71-2	1/4" Tube to 1/8" NPT Bulkhead Connector (Swagelok)	1

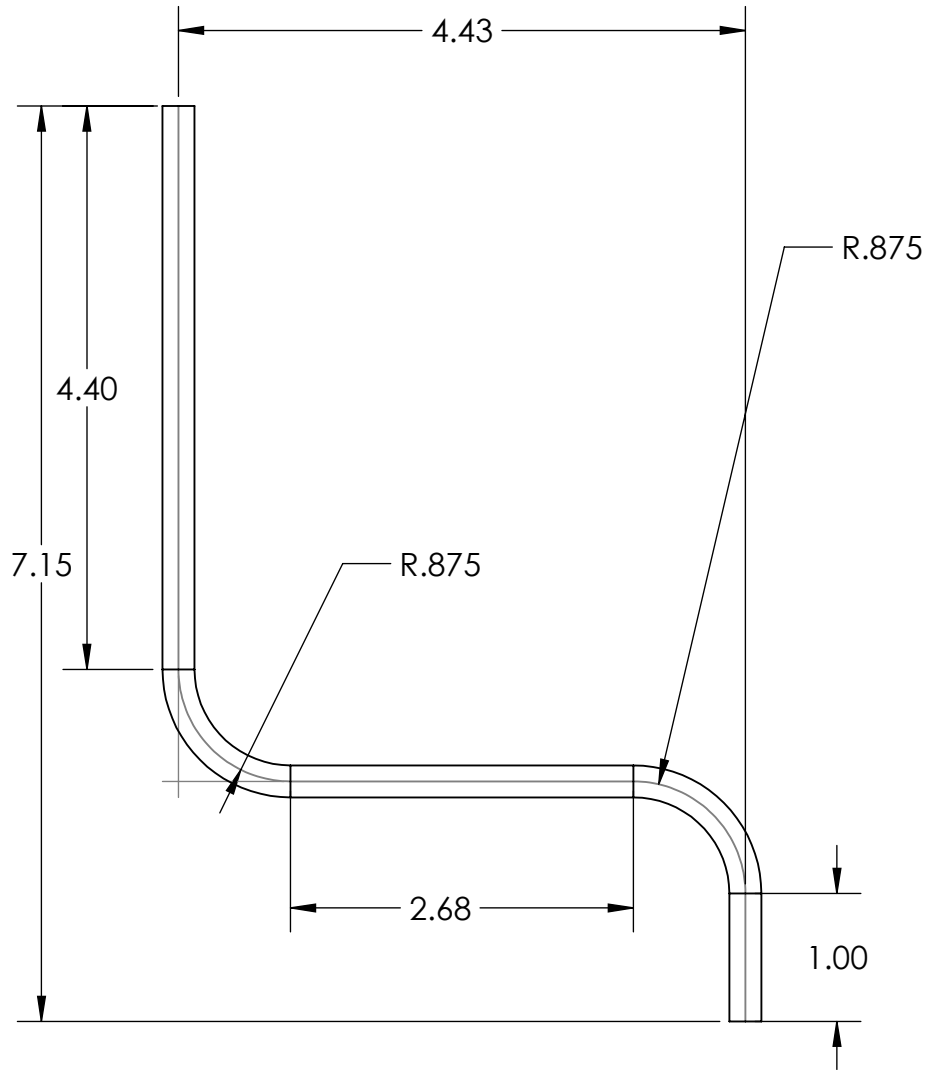
PROPRIETARY AND CONFIDENTIAL THE INFORMATION CONTAINED IN THIS DRAWING IS THE SOLE PROPERTY OF UNIVERSITY OF IDAHO, ME DEPARTMENT. ANY REPRODUCTION IN PART OR AS A WHOLE WITHOUT THE WRITTEN PERMISSION OF UNIVERSITY OF IDAHO, ME DEPARTMENT IS PROHIBITED.		DIMENSIONS ARE IN INCHES THIRD ANGLE PROJECTION		INL Grinder Water Filtration	
DEFAULT TOLERANCES: LINEAR: X. ± .25 X.X ± .1 X.XX ± .01 X.XXX ± .002		DESCRIPTION: Tubing and Fittings			
ANGULAR: X. ± 2 X.X ± 1 X.XX ± 0.30'		CHECKED BY: Jerry Kahn	DATE: 4/3/2018	PART #: 6-00	QTY: 1
		DRAWN BY: Troy Sanders	DATE: 4/3/2018	SCALE: 1:12	SHEET: 32 OF 37
		FILE NAME: 6-00.SLDPRT			

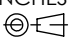


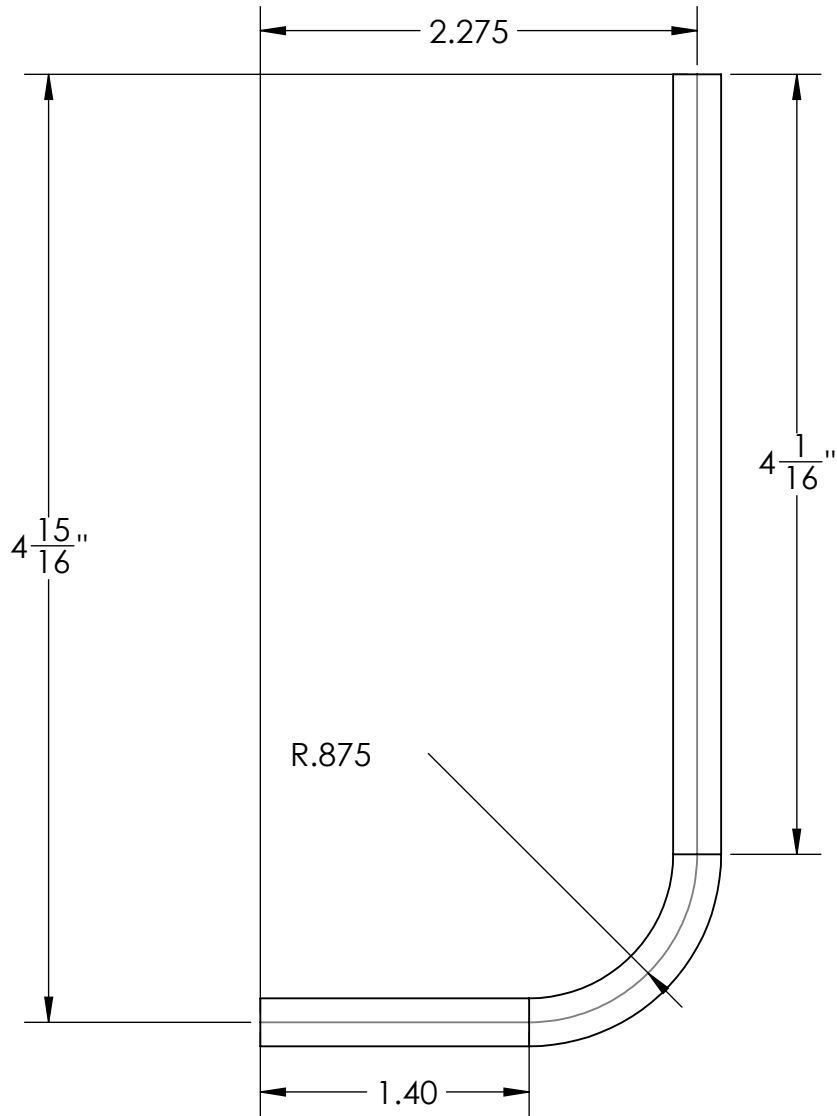
PROPRIETARY AND CONFIDENTIAL THE INFORMATION CONTAINED IN THIS DRAWING IS THE SOLE PROPERTY OF UNIVERSITY OF IDAHO, ME DEPARTMENT. ANY REPRODUCTION IN PART OR AS A WHOLE WITHOUT THE WRITTEN PERMISSION OF UNIVERSITY OF IDAHO, ME DEPARTMENT IS PROHIBITED.		DIMENSIONS ARE IN INCHES THIRD ANGLE PROJECTION 		INL Grinder Water Filtration	
		MATERIAL: 304 SS			
DEFAULT TOLERANCES: LINEAR: X. ± .25 X.X ± .1 X.XX ± .01 X.XXX ± .002		DESCRIPTION: Outlet from Pump		UNIVERSITY OF IDAHO ME DEPARTMENT	
ANGULAR: X. ± 2 X.X ± 1 X.XX ± 0 30'		CHECKED BY: Jerry Kahn	DATE: 4/2/2018		
		DRAWN BY: Troy Sander	DATE: 4/2/2018	SCALE: 3:2	SHEET: 33 OF 37
		FILE NAME: 6-01.SLDprt			

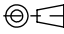


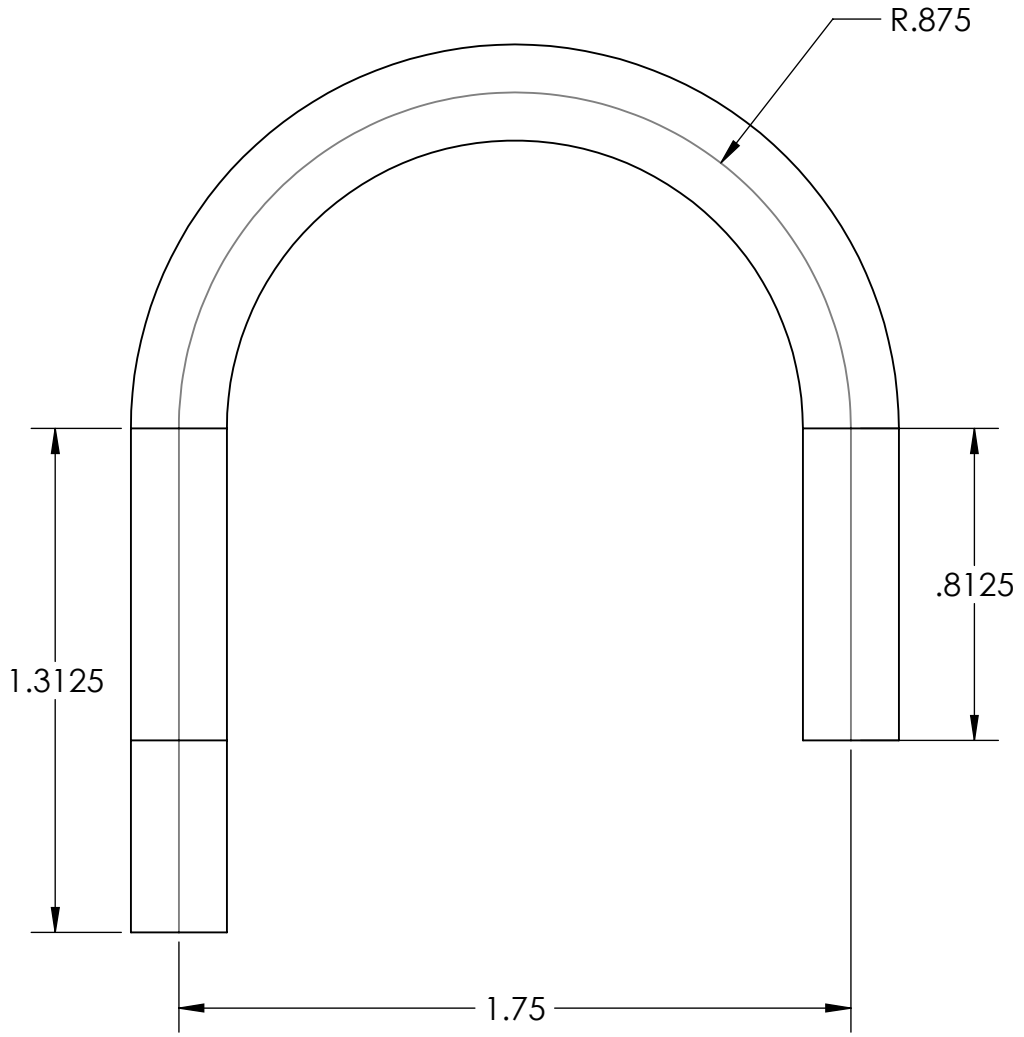
PROPRIETARY AND CONFIDENTIAL THE INFORMATION CONTAINED IN THIS DRAWING IS THE SOLE PROPERTY OF UNIVERSITY OF IDAHO, ME DEPARTMENT. ANY REPRODUCTION IN PART OR AS A WHOLE WITHOUT THE WRITTEN PERMISSION OF UNIVERSITY OF IDAHO, ME DEPARTMENT IS PROHIBITED.		DIMENSIONS ARE IN INCHES THIRD ANGLE PROJECTION 		INL Grinder Water Filtration	
		MATERIAL: 304 SS			
DEFAULT TOLERANCES: LINEAR: X. ± .25 X.X ± .1 X.XX ± .01 X.XXX ± .002		DESCRIPTION: Straight Connector		UNIVERSITY OF IDAHO ME DEPARTMENT	
ANGULAR: X. ± 2 X.X ± 1 X.XX ± 0 30'		CHECKED BY: Jerry Kahn	DATE: 4/2/2018		
		DRAWN BY: Troy Sanders	DATE: 4/2/2018	SCALE: 2:1	SHEET: 34 OF 37
		FILE NAME: 0-00.SLDPRT			

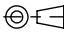


PROPRIETARY AND CONFIDENTIAL THE INFORMATION CONTAINED IN THIS DRAWING IS THE SOLE PROPERTY OF UNIVERSITY OF IDAHO, ME DEPARTMENT. ANY REPRODUCTION IN PART OR AS A WHOLE WITHOUT THE WRITTEN PERMISSION OF UNIVERSITY OF IDAHO, ME DEPARTMENT IS PROHIBITED.		DIMENSIONS ARE IN INCHES THIRD ANGLE PROJECTION 		INL Grinder Water Filtration	
		MATERIAL: 304 SS			
DEFAULT TOLERANCES:		DESCRIPTION: Quick Connect to Tee		UNIVERSITY OF IDAHO ME DEPARTMENT	
LINER: X. ± .25 X.X ± .1 X.XX ± .01 X.XXX ± .002	ANGULAR: X. ± 2 X.X ± 1 X.XX ± 0 30'	CHECKED BY: Jerry Kahn	DATE: 4/2/2018		
		DRAWN BY: Troy Sanders	DATE: 4/2/2018	PART #: 6-03	QTY: 1
		FILE NAME: 6-03.SLDPRT	SCALE: 2:3	SHEET: 35 OF 37	



PROPRIETARY AND CONFIDENTIAL THE INFORMATION CONTAINED IN THIS DRAWING IS THE SOLE PROPERTY OF UNIVERSITY OF IDAHO, ME DEPARTMENT. ANY REPRODUCTION IN PART OR AS A WHOLE WITHOUT THE WRITTEN PERMISSION OF UNIVERSITY OF IDAHO, ME DEPARTMENT IS PROHIBITED.		DIMENSIONS ARE IN INCHES THIRD ANGLE PROJECTION 		INL Grinder Water Filtration	
		MATERIAL: 304 SS			
DEFAULT TOLERANCES:		DESCRIPTION: Bypass Tubing		UNIVERSITY OF IDAHO ME DEPARTMENT	
LINEAR: X. ± .25 X.X ± .1 X.XX ± .01 X.XXX ± .002	ANGULAR: X. ± 2 X.X ± 1 X.XX ± 0 30'	CHECKED BY: Jerry Kahn	DATE: 4/2/2018		
		DRAWN BY: Troy Sanders	DATE: 4/2/2018	PART #: 6-04	QTY: 1
		FILE NAME: 6-04.SLDPRT	SCALE: 1:1	SHEET: 36 OF 37	



PROPRIETARY AND CONFIDENTIAL THE INFORMATION CONTAINED IN THIS DRAWING IS THE SOLE PROPERTY OF UNIVERSITY OF IDAHO, ME DEPARTMENT. ANY REPRODUCTION IN PART OR AS A WHOLE WITHOUT THE WRITTEN PERMISSION OF UNIVERSITY OF IDAHO, ME DEPARTMENT IS PROHIBITED.		DIMENSIONS ARE IN INCHES THIRD ANGLE PROJECTION 		INL Grinder Water Filtration	
		MATERIAL: 304 SS			
DEFAULT TOLERANCES: LINEAR: X. ± .25 X.X ± .1 X.XX ± .01 X.XXX ± .002		DESCRIPTION: Valve to Nozzle		UNIVERSITY OF IDAHO ME DEPARTMENT	
ANGULAR: X. ± 2 X.X ± 1 X.XX ± 0 30'		CHECKED BY: Jerry Kahn	DATE: 4/2/2018		
		DRAWN BY: Tro Sanders	DATE: 4/2/2018	SCALE: 2:1	SHEET: 37 OF 37
		FILE NAME: 6-05.SLDPRT			