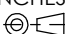
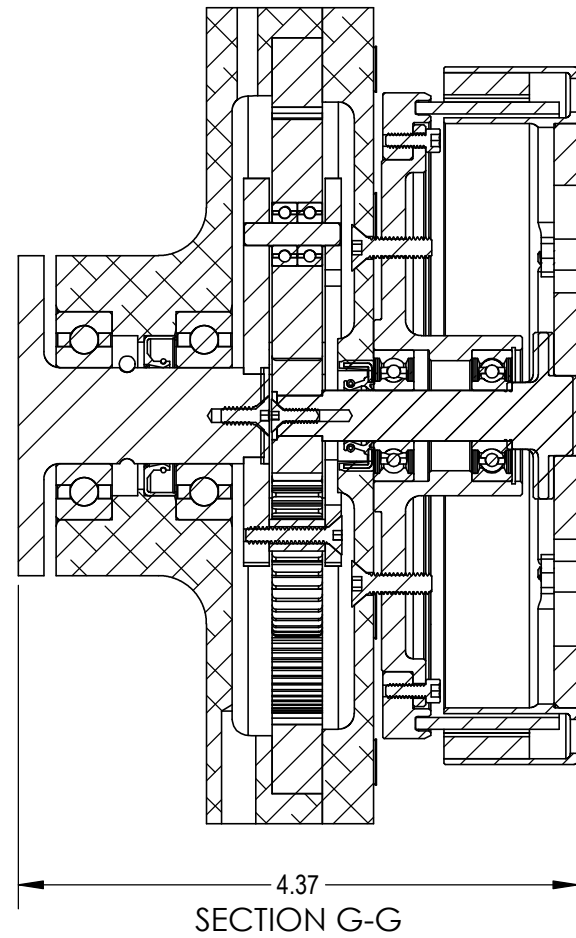
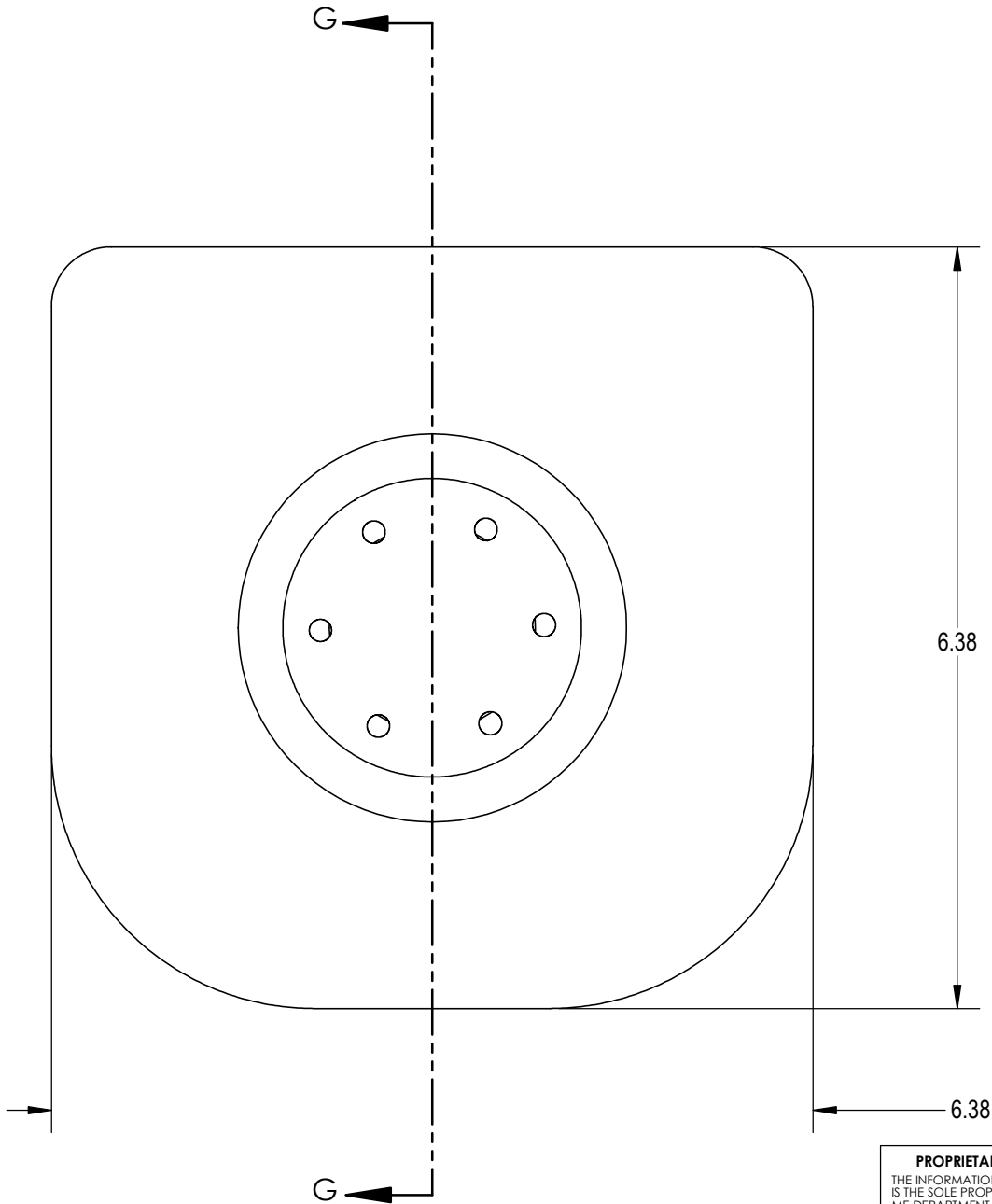
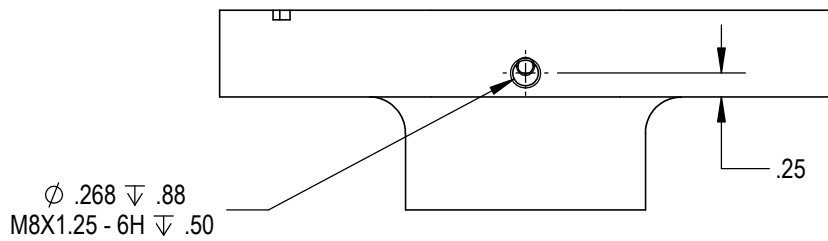
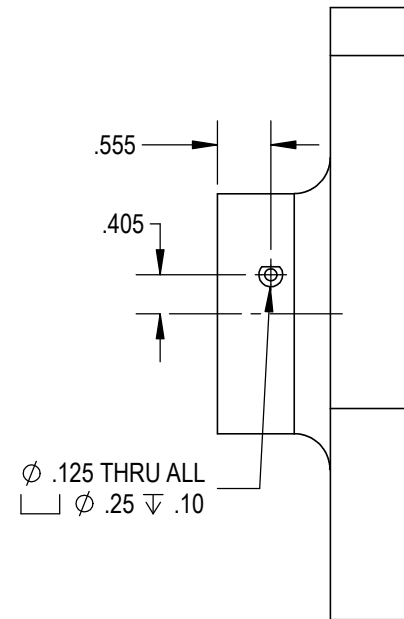
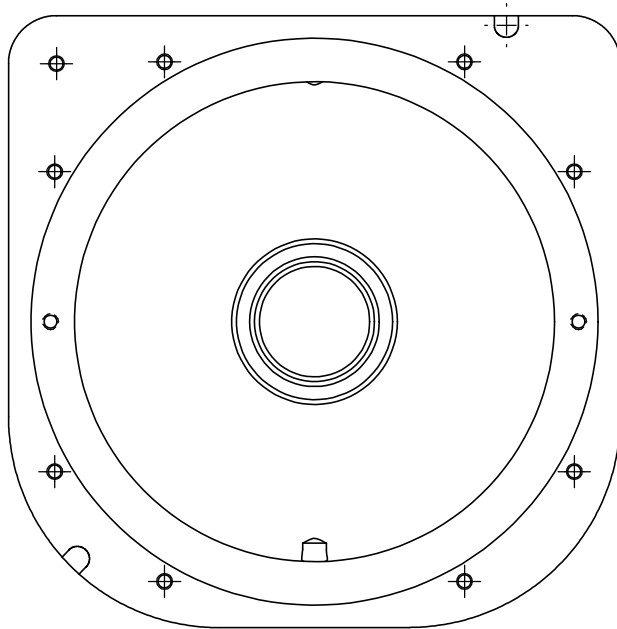
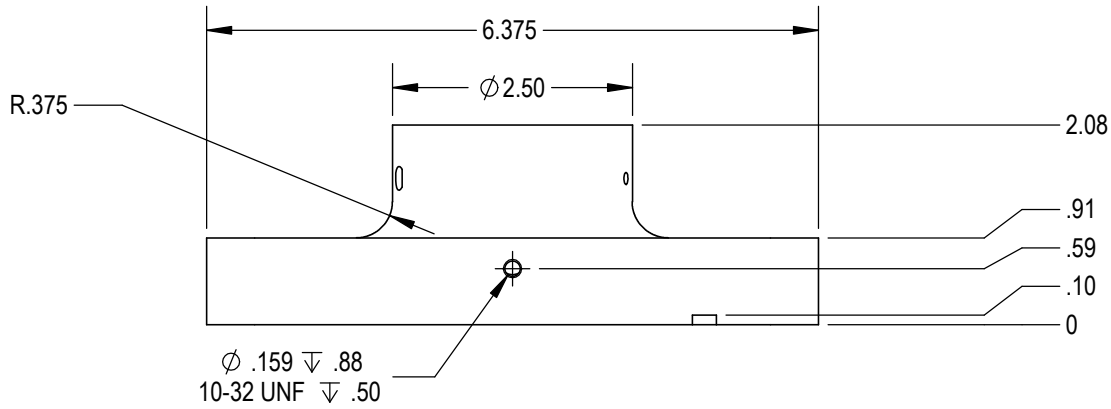


<p><b>PROPRIETARY AND CONFIDENTIAL</b></p> <p>THE INFORMATION CONTAINED IN THIS DRAWING IS THE SOLE PROPERTY OF UNIVERSITY OF IDAHO, ME DEPARTMENT. ANY REPRODUCTION IN PART OR AS A WHOLE WITHOUT THE WRITTEN PERMISSION OF UNIVERSITY OF IDAHO, ME DEPARTMENT IS PROHIBITED.</p>		<p>DIMENSIONS ARE IN INCHES THIRD ANGLE PROJECTION </p>		<p>Basti-Boys Gearbox</p>	
<p>DEFAULT TOLERANCES:</p> <p>LINEAR: X. ± .25 X.X ± .1 X.XX ± .01 X.XXX ± .002</p>		<p>DESCRIPTION: Isometric View</p>		<p>MATERIAL:</p>	
<p>ANGULAR: X. ± 2 X.X ± 1 X.XX ± 0 30'</p>		<p>DRAWN BY: Basti-Boys</p>		<p>DATE: 3/9/2018</p>	
<p>FILE NAME: Motor and gearbox for snapshot 3</p>		<p>CHECKED BY:</p>		<p>DATE:</p>	
<p>SCALE: 2:3</p>		<p>PART #:</p>		<p>QTY:</p>	
<p>SHEET: 1 OF 9</p>		<p>UNIVERSITY OF IDAHO ME DEPARTMENT</p>		<p></p>	

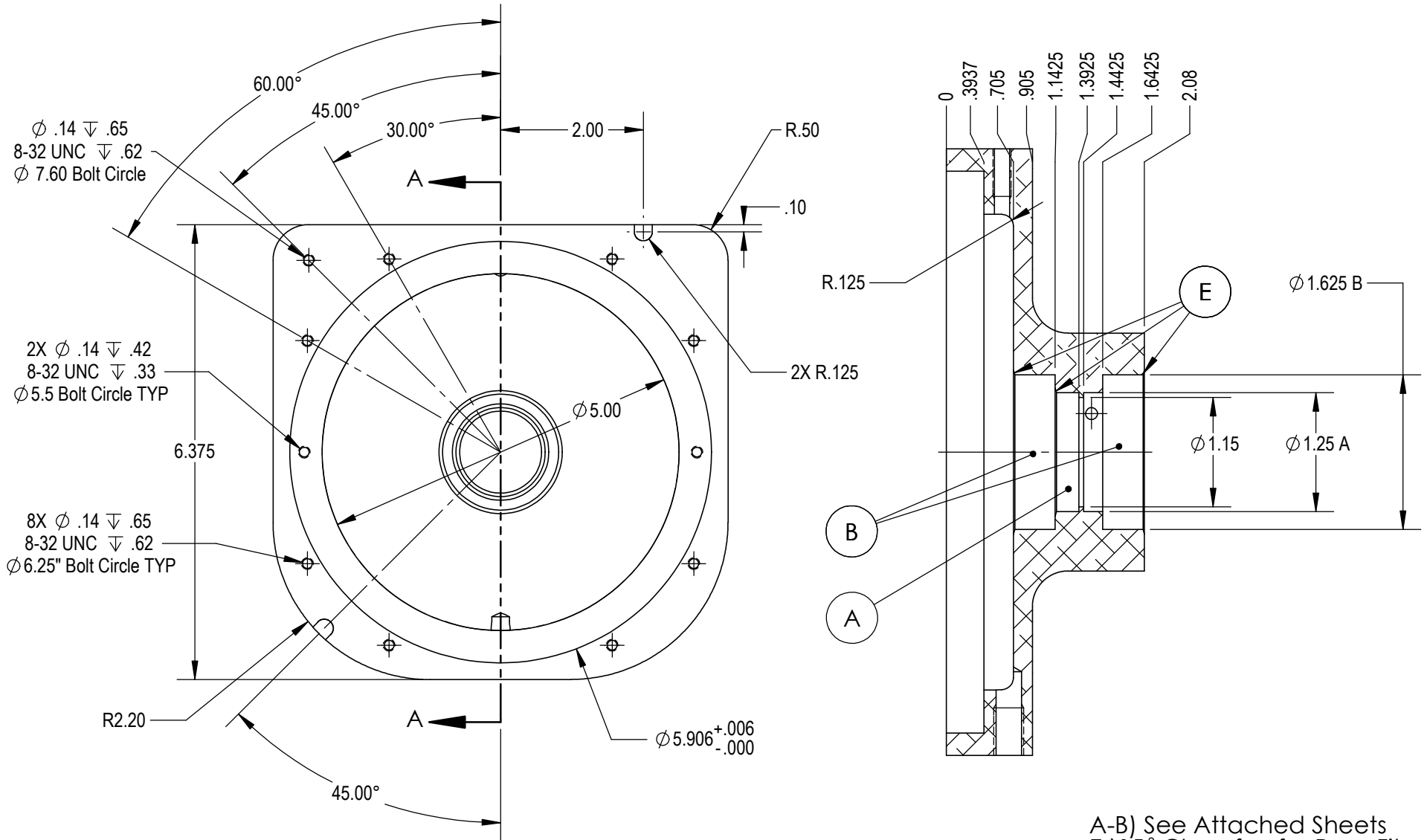


<b>PROPRIETARY AND CONFIDENTIAL</b> THE INFORMATION CONTAINED IN THIS DRAWING IS THE SOLE PROPERTY OF UNIVERSITY OF IDAHO, ME DEPARTMENT. ANY REPRODUCTION IN PART OR AS A WHOLE WITHOUT THE WRITTEN PERMISSION OF UNIVERSITY OF IDAHO, ME DEPARTMENT IS PROHIBITED.		DIMENSIONS ARE IN INCHES THIRD ANGLE PROJECTION		<b>Basti-Boys Gearbox</b>  <b>UNIVERSITY OF IDAHO ME DEPARTMENT</b>	
		MATERIAL:			
DEFAULT TOLERANCES: LINEAR: X. ± .25 X.X ± .1 X.XX ± .01 X.XXX ± .002		DESCRIPTION: Cross section DRAWN BY: Basti-boys CHECKED BY: FILE NAME: Motor and gearbox for snapshot 3		DATE: 3/9/2018 DATE: PART #: QTY:	
ANGULAR: X. ± 2 X.X ± 1 X.XX ± 0 30'		SCALE: 2:3		SHEET: 2 OF 9	



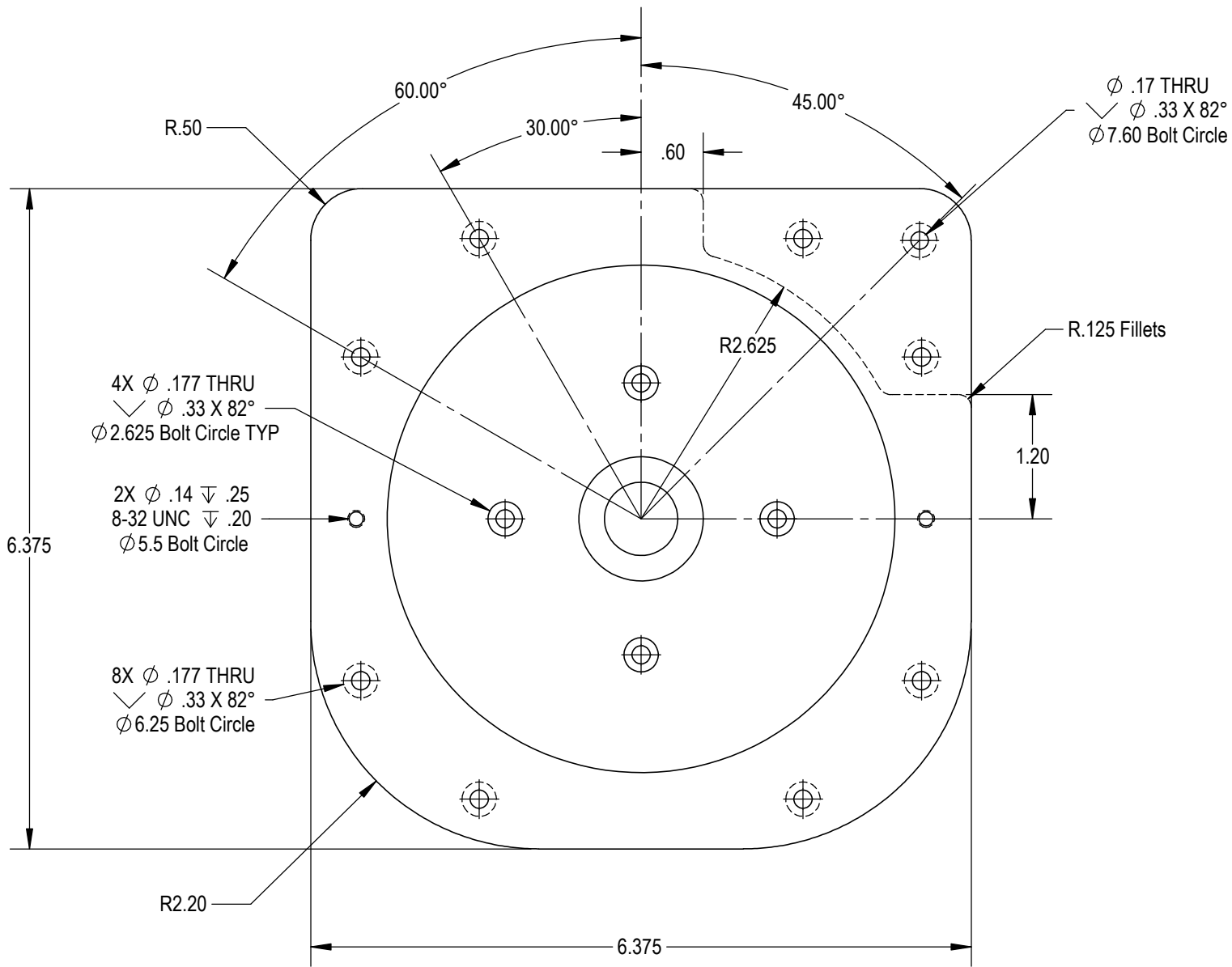
<b>PROPRIETARY AND CONFIDENTIAL</b> THE INFORMATION CONTAINED IN THIS DRAWING IS THE SOLE PROPERTY OF UNIVERSITY OF IDAHO, ME DEPARTMENT. ANY REPRODUCTION IN PART OR AS A WHOLE WITHOUT THE WRITTEN PERMISSION OF UNIVERSITY OF IDAHO, ME DEPARTMENT IS PROHIBITED.		DIMENSIONS ARE IN INCHES THIRD ANGLE PROJECTION		<b>Basti-Boys Gearbox</b>	
DEFAULT TOLERANCES:		MATERIAL:			
LINEAR: X. $\pm .25$ X.X $\pm .1$ X.XX $\pm .01$ X.XXX $\pm .002$	ANGULAR: X. $\pm 2$ X.X $\pm 1$ X.XX $\pm 0.30'$	DESCRIPTION: Frontcase	DATE: 3/9/2018	<b>UNIVERSITY OF IDAHO ME DEPARTMENT</b>	
		DRAWN BY: Basti-Boys	CHECKED BY:		
		FILE NAME: Motor and gearbox for snapshot 3	SCALE: 1:2	SHEET: 3 OF 9	

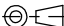
SECTION A-A  
SCALE 1 : 1.5

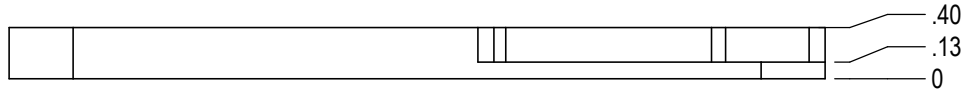


A-B) See Attached Sheets  
E) 15° Chamfer for Press Fits

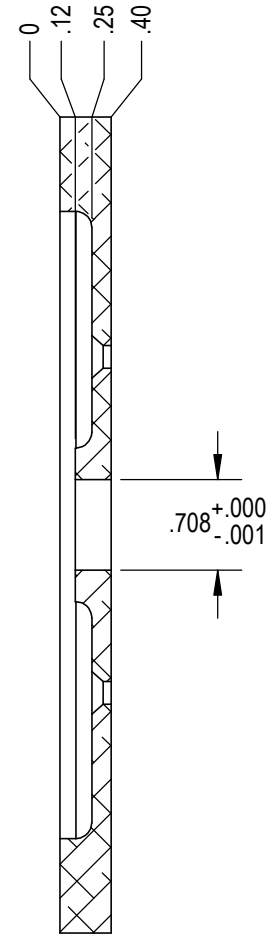
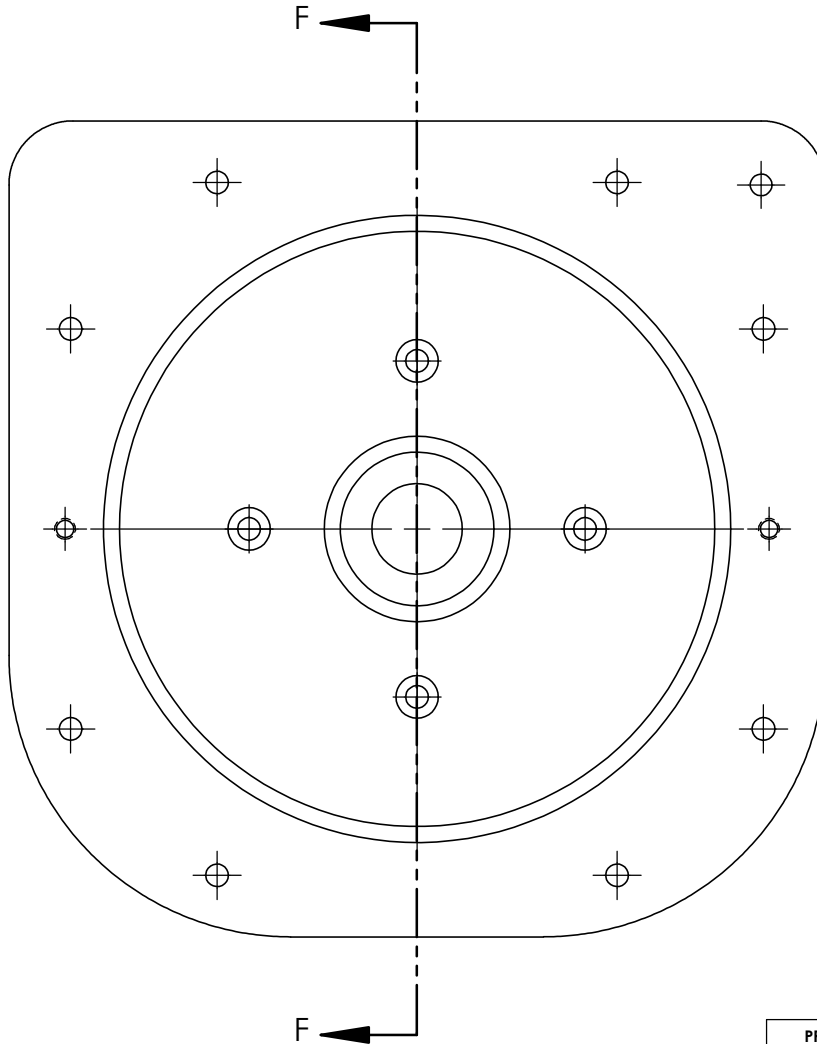
<p><b>PROPRIETARY AND CONFIDENTIAL</b> THE INFORMATION CONTAINED IN THIS DRAWING IS THE SOLE PROPERTY OF UNIVERSITY OF IDAHO, ME DEPARTMENT. ANY REPRODUCTION IN PART OR AS A WHOLE WITHOUT THE WRITTEN PERMISSION OF UNIVERSITY OF IDAHO, ME DEPARTMENT IS PROHIBITED.</p>		<p>DIMENSIONS ARE IN INCHES THIRD ANGLE PROJECTION </p>		<p>Basti-Boys Gearbox</p>	
		<p>DEFAULT TOLERANCES:</p> <p>LINEAR: X. ± .25 X.X ± .1 X.XX ± .01 X.XXX ± .002</p>		<p>DESCRIPTION: Frontcase</p>	
<p>ANGULAR: X. ± 2 X.X ± 1 X.XX ± 0 30'</p>		<p>MATERIAL:</p>		<p><b>UNIVERSITY OF IDAHO ME DEPARTMENT</b></p>	
<p>DRAWN BY: Basti-Boys</p>		<p>DATE: 3/9/2018</p>		<p>PART #:</p>	
<p>CHECKED BY:</p>		<p>DATE:</p>		<p>QTY:</p>	
<p>FILE NAME: Motor and gearbox for snapshot 3</p>		<p>SCALE: 1:2</p>		<p>SHEET: 4 OF 9</p>	



<b>PROPRIETARY AND CONFIDENTIAL</b> THE INFORMATION CONTAINED IN THIS DRAWING IS THE SOLE PROPERTY OF UNIVERSITY OF IDAHO, ME DEPARTMENT. ANY REPRODUCTION IN PART OR AS A WHOLE WITHOUT THE WRITTEN PERMISSION OF UNIVERSITY OF IDAHO, ME DEPARTMENT IS PROHIBITED.		DIMENSIONS ARE IN INCHES THIRD ANGLE PROJECTION 		Basti-Boys Gearbox	
		MATERIAL: 6061 Alloy			
DEFAULT TOLERANCES:		DESCRIPTION: Gearbox Casing Back		UNIVERSITY OF IDAHO ME DEPARTMENT	
LINEAR: X. ± .25 X.X ± .1 X.XX ± .01 X.XXX ± .002	ANGULAR: X. ± 2 X.X ± 1 X.XX ± 0 30'	DRAWN BY: Basti-Boys	DATE: 3/9/2018	PART #: 02	QTY:
		CHECKED BY:	DATE:	SCALE: 2:3	SHEET: 5 OF 9
		FILE NAME: Gearbox Casing Back Idea 2			

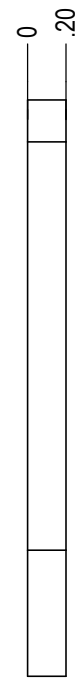
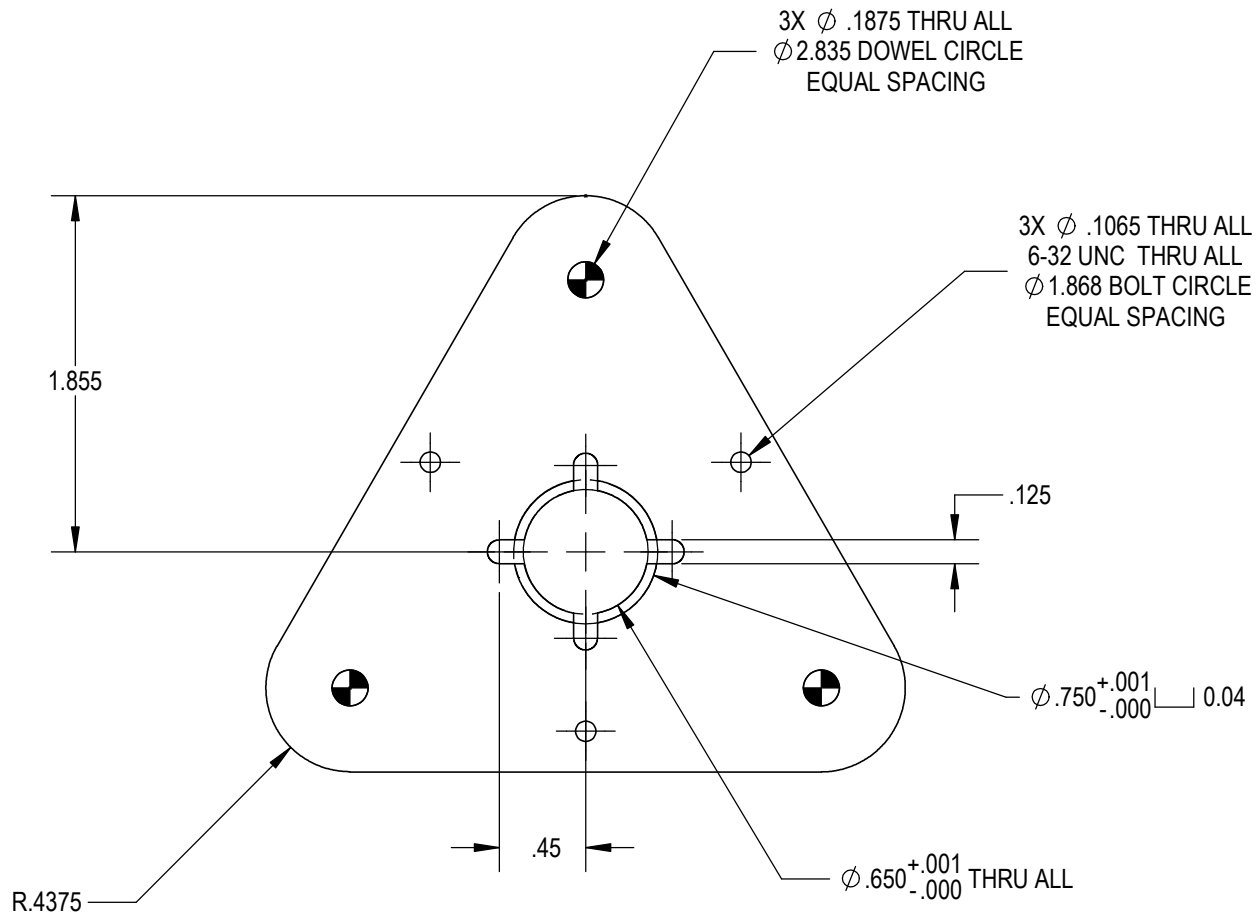


SECTION F-F  
SCALE 1 : 1.5



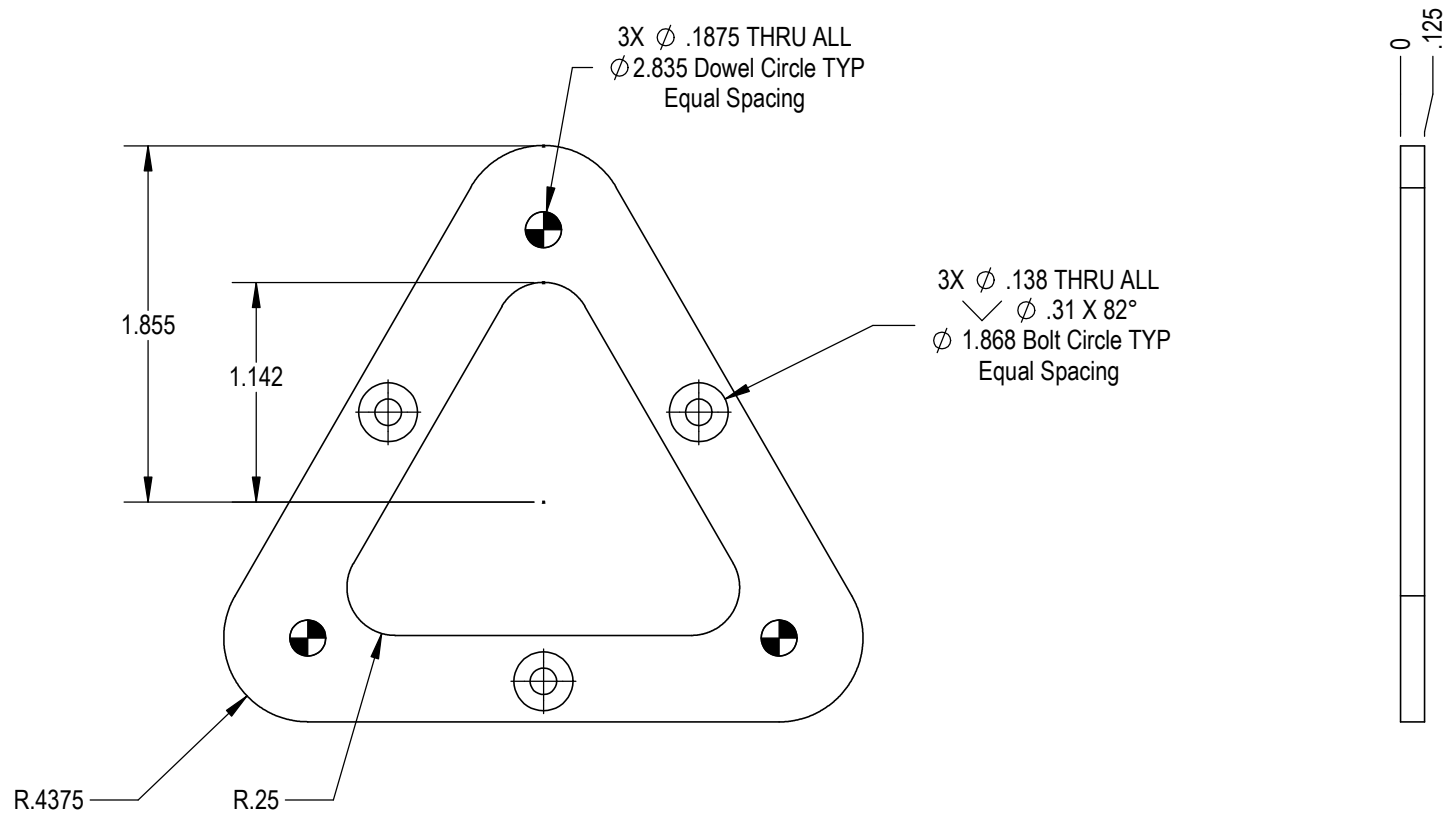
<p><b>PROPRIETARY AND CONFIDENTIAL</b> THE INFORMATION CONTAINED IN THIS DRAWING IS THE SOLE PROPERTY OF UNIVERSITY OF IDAHO, ME DEPARTMENT. ANY REPRODUCTION IN PART OR AS A WHOLE WITHOUT THE WRITTEN PERMISSION OF UNIVERSITY OF IDAHO, ME DEPARTMENT IS PROHIBITED.</p>		<p>DIMENSIONS ARE IN INCHES THIRD ANGLE PROJECTION </p>		<p>Basti-Boys Gearbox</p>											
<p>DEFAULT TOLERANCES:</p> <table border="0"> <tr> <td>LINEAR:</td> <td>ANGULAR:</td> </tr> <tr> <td>X. ± .25</td> <td>X. ± 2</td> </tr> <tr> <td>X.X ± .1</td> <td>X.X ± 1</td> </tr> <tr> <td>X.XX ± .01</td> <td>X.XX ± 0 30'</td> </tr> <tr> <td>X.XXX ± .002</td> <td></td> </tr> </table>		LINEAR:	ANGULAR:	X. ± .25	X. ± 2	X.X ± .1	X.X ± 1	X.XX ± .01	X.XX ± 0 30'	X.XXX ± .002		<p>DESCRIPTION: Gearbox Casing Back</p>		<p><b>UNIVERSITY OF IDAHO ME DEPARTMENT</b></p>	
LINEAR:	ANGULAR:														
X. ± .25	X. ± 2														
X.X ± .1	X.X ± 1														
X.XX ± .01	X.XX ± 0 30'														
X.XXX ± .002															
<p>DRAWN BY: Basti-Boys</p>		<p>DATE: 3/9/2018</p>		<p>PART #:</p>											
<p>CHECKED BY:</p>		<p>DATE:</p>		<p>QTY:</p>											
<p>FILE NAME: Motor and gearbox for snapshot 3</p>		<p>SCALE: 1:2</p>		<p>SHEET: 6 OF 9</p>											





<b>PROPRIETARY AND CONFIDENTIAL</b> THE INFORMATION CONTAINED IN THIS DRAWING IS THE SOLE PROPERTY OF UNIVERSITY OF IDAHO, ME DEPARTMENT. ANY REPRODUCTION IN PART OR AS A WHOLE WITHOUT THE WRITTEN PERMISSION OF UNIVERSITY OF IDAHO, ME DEPARTMENT IS PROHIBITED.		DIMENSIONS ARE IN INCHES THIRD ANGLE PROJECTION		<b>Basti-Boys          Gearbox</b>	
DEFAULT TOLERANCES: LINEAR: X. $\pm$ .25 X.X $\pm$ .1 X.XX $\pm$ .01 X.XXX $\pm$ .002		ANGLAR: X. $\pm$ 2 X.X $\pm$ 1 X.XX $\pm$ 0 30'		MATERIAL:	
DESCRIPTION: <b>Output Carrier</b>		DRAWN BY: <b>Basti-Boys</b>		DATE: <b>3/9/2018</b>	
CHECKED BY:		DATE:		PART #:	
FILE NAME: <b>Motor and gearbox for snapshot 3</b>		SCALE: <b>1:1</b>		QTY: <b>SHEET: 8 OF 9</b>	
				<b>UNIVERSITY OF IDAHO          ME DEPARTMENT</b>	





<b>PROPRIETARY AND CONFIDENTIAL</b> THE INFORMATION CONTAINED IN THIS DRAWING IS THE SOLE PROPERTY OF UNIVERSITY OF IDAHO, ME DEPARTMENT. ANY REPRODUCTION IN PART OR AS A WHOLE WITHOUT THE WRITTEN PERMISSION OF UNIVERSITY OF IDAHO, ME DEPARTMENT IS PROHIBITED.		DIMENSIONS ARE IN INCHES THIRD ANGLE PROJECTION		<b>Basti-Boys Gearbox</b>	
DEFAULT TOLERANCES: LINEAR: X. ± .25 X.X ± .1 X.XX ± .01 X.XXX ± .002		DESCRIPTION: <b>Carrier Guide</b>			
ANGULAR: X. ± 2 X.X ± 1 X.XX ± 0 30'		DRAWN BY: <b>Basti-Boys</b>		DATE: <b>3/9/2018</b>	
MATERIAL:		CHECKED BY:		DATE:	
FILE NAME: <b>Motor and gearbox for snapshot 3</b>		SCALE: <b>1:1</b>		PART #: <b>QTY:</b>	
				SHEET: <b>9 OF 9</b>	