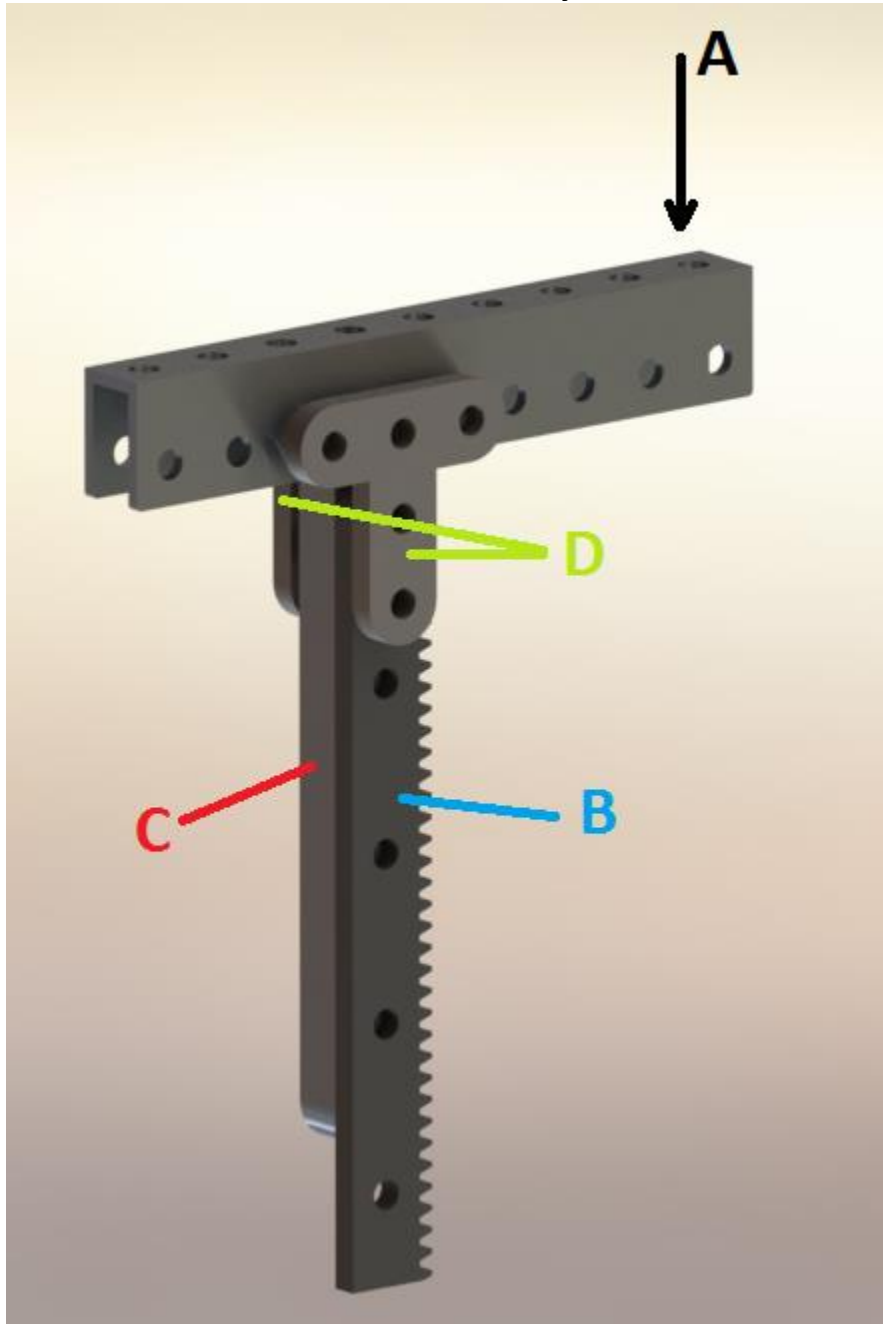


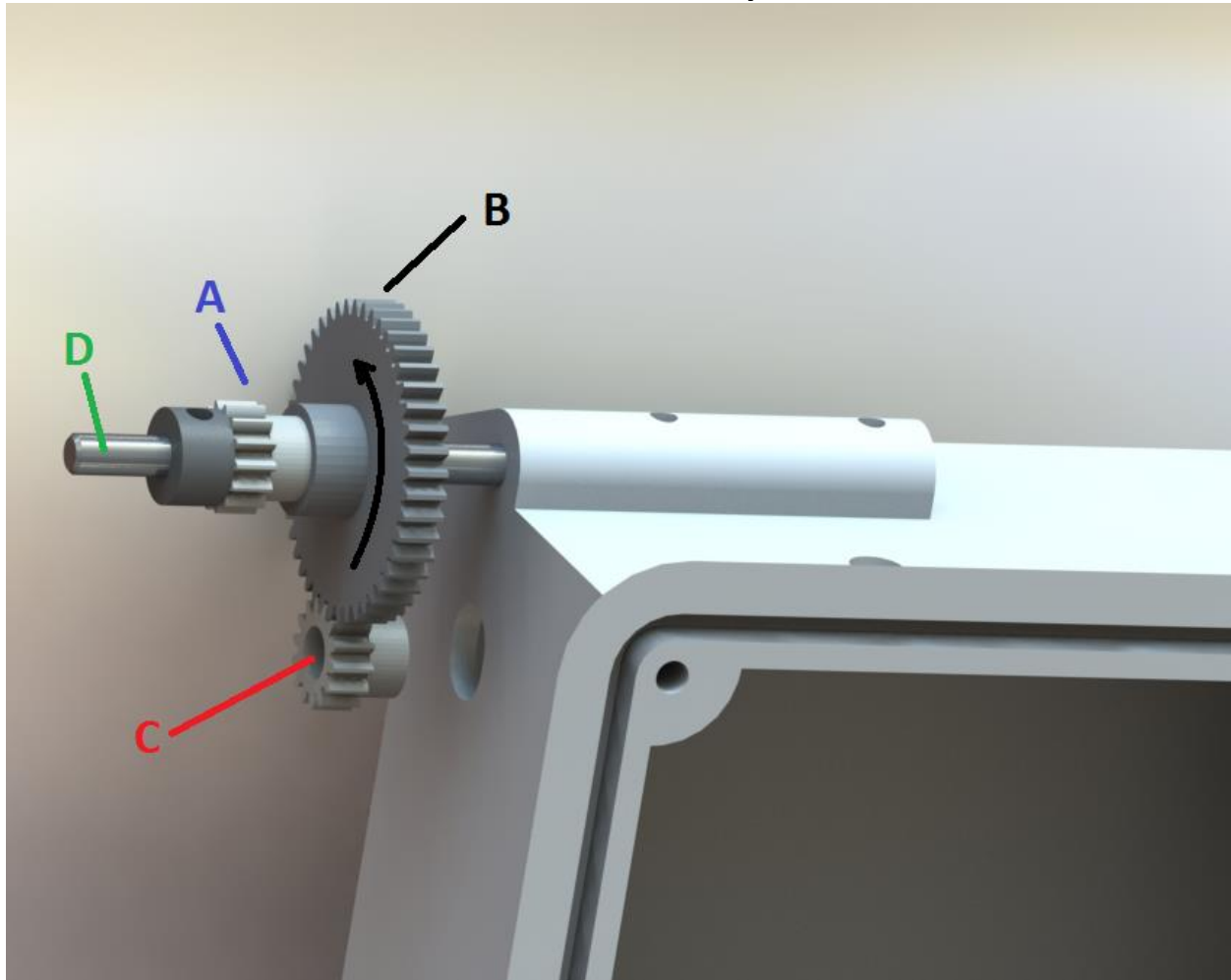
Mechanical Assembly Manual

L-Arm Assembly



- A) The direct connection to the back of the original rain gauge. Use existing 8-32 Screw, and note that this hole will need to be widened to allow for the diameter of the 8-32 screw.
- B) The delrin gear rack, cut to 3 inches. Sandwich this between the aluminum beam (part C) and the T-bracket (part D) with 6-32 bolts.
- C) The aluminum beam that is sandwiched between the T-brackets (D) and gear rack (B)
- D) After being attached to the two beams, bolt both of these T-brackets to the mini channel (near arrow A) with 6-32 bolts.

Gearbox Assembly



- A+B) the 14t and 44t 32pitch delrin gears, fixed to each others rotation by the sleeve bushings underneath
- C) the second 14t 32pitch gear, pressure-fitted to the rotary potentiometer
- D) The main gearbox shaft, attached to the housing unit with two setscrews. Note the setscrew collar next to gear A, this is to prevent the gears from sliding off of the shaft.