

# C Technical Drawings

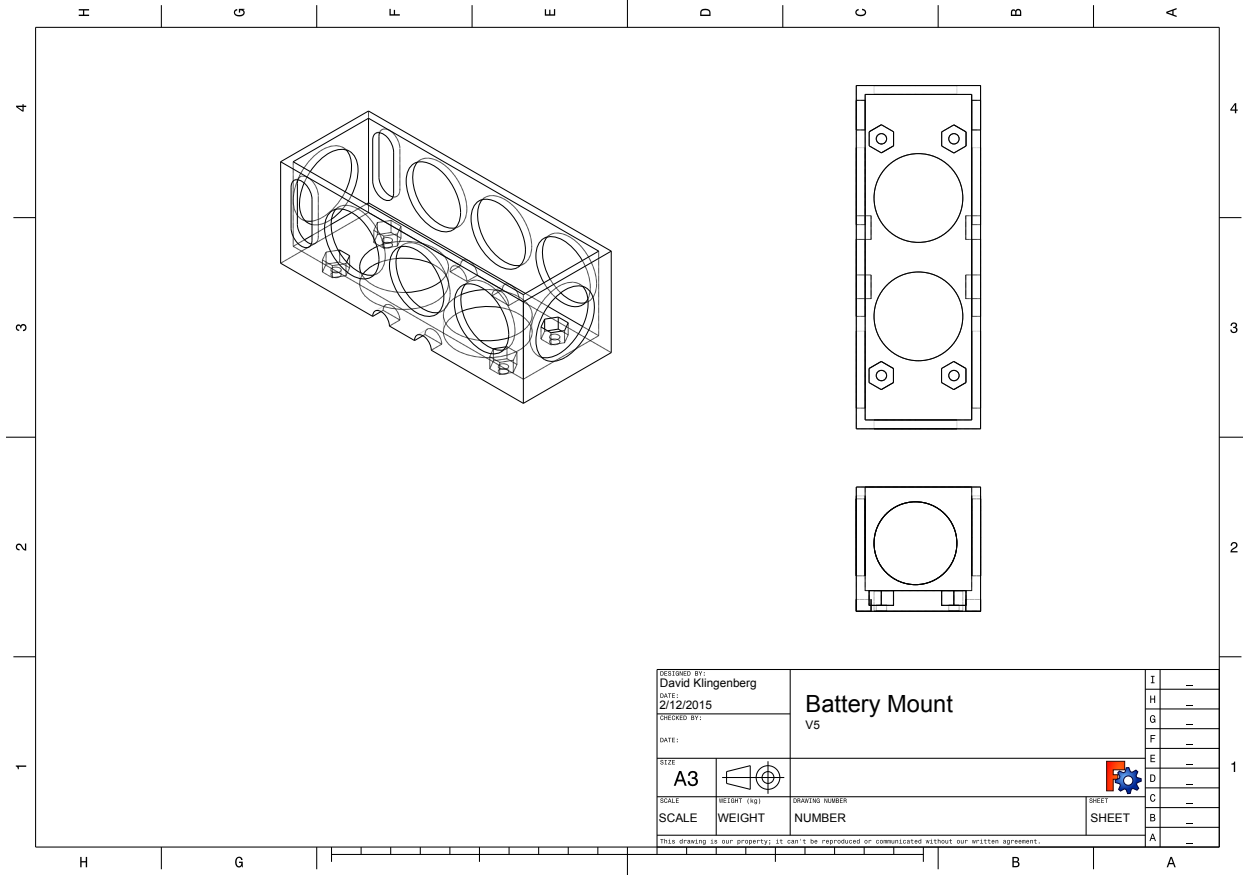


Figure 8: Battery Bracket

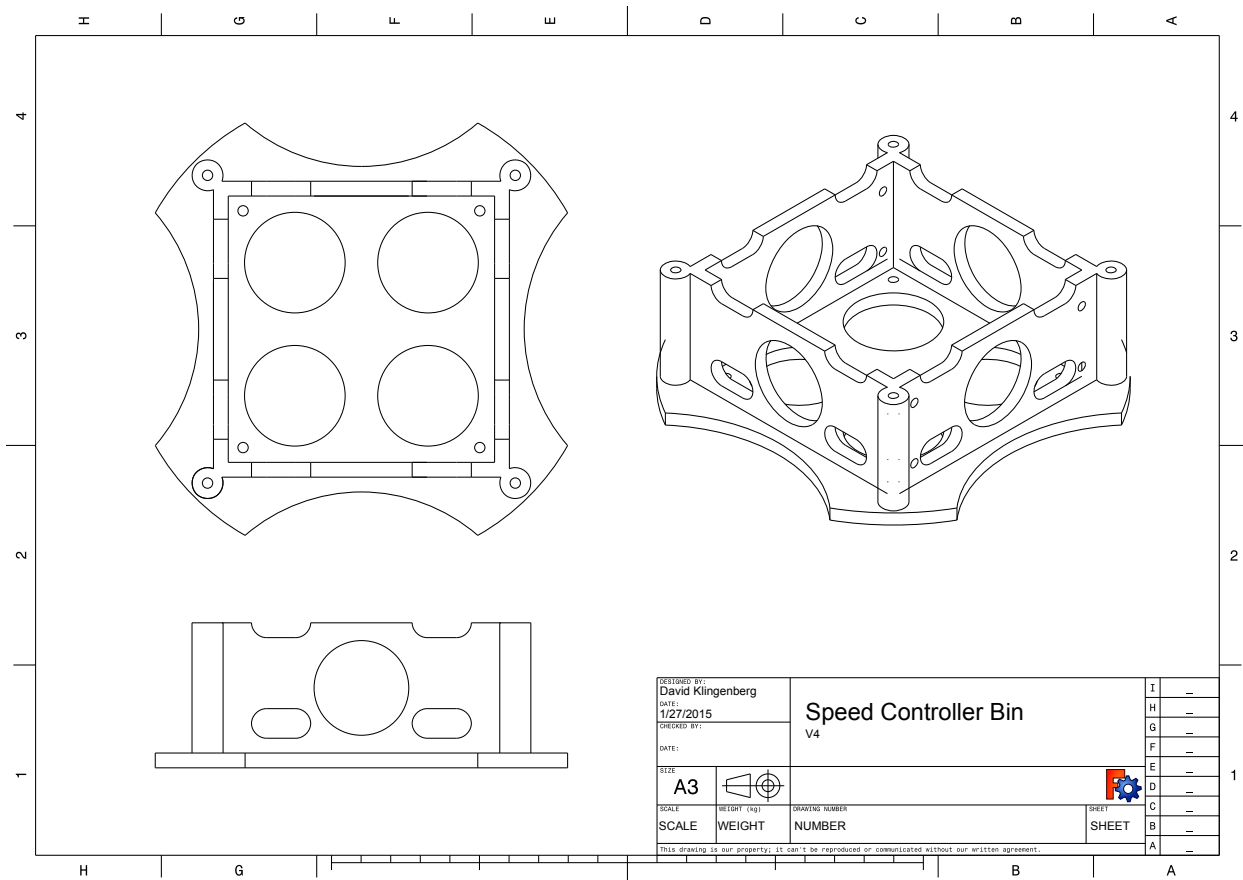


Figure 9: Electronic Speed Controller Bracket

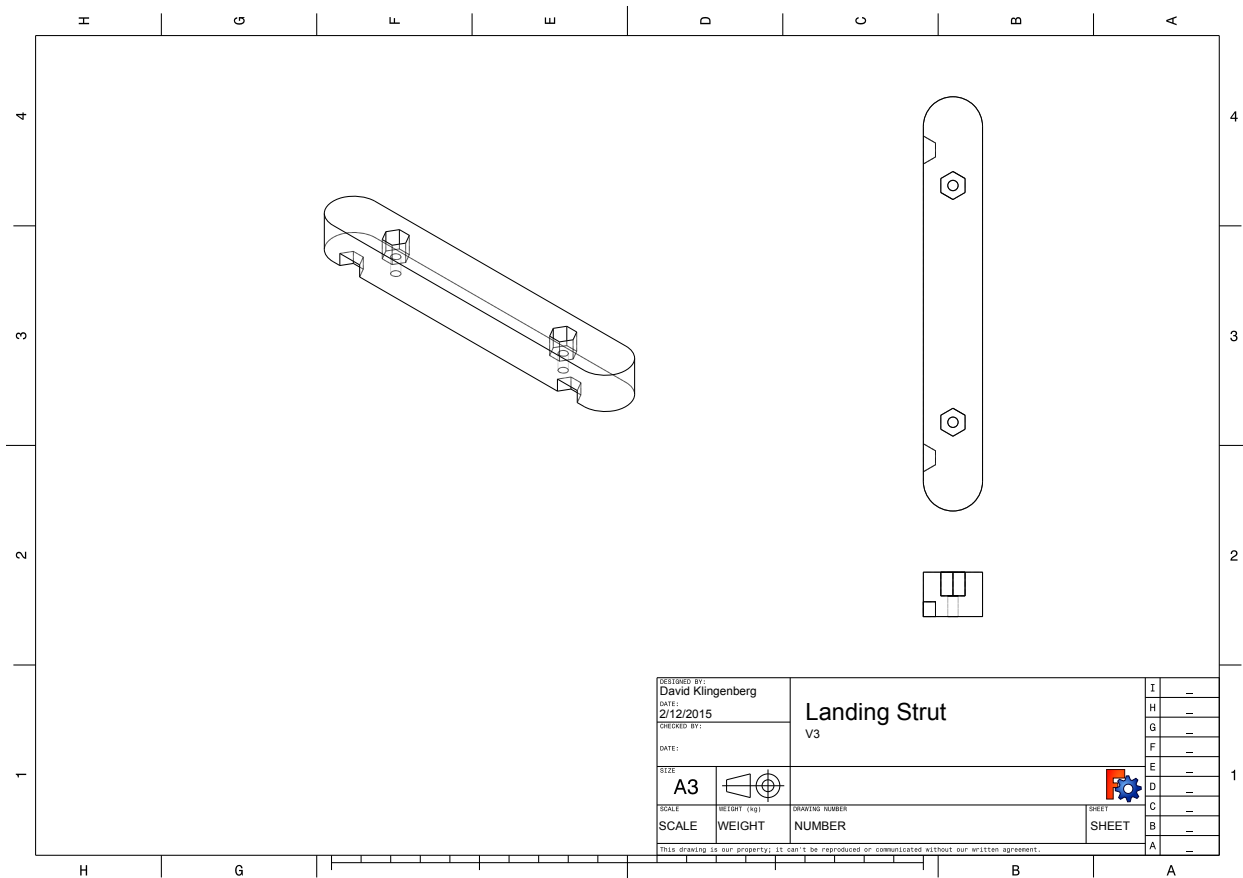


Figure 10: Landing Strut

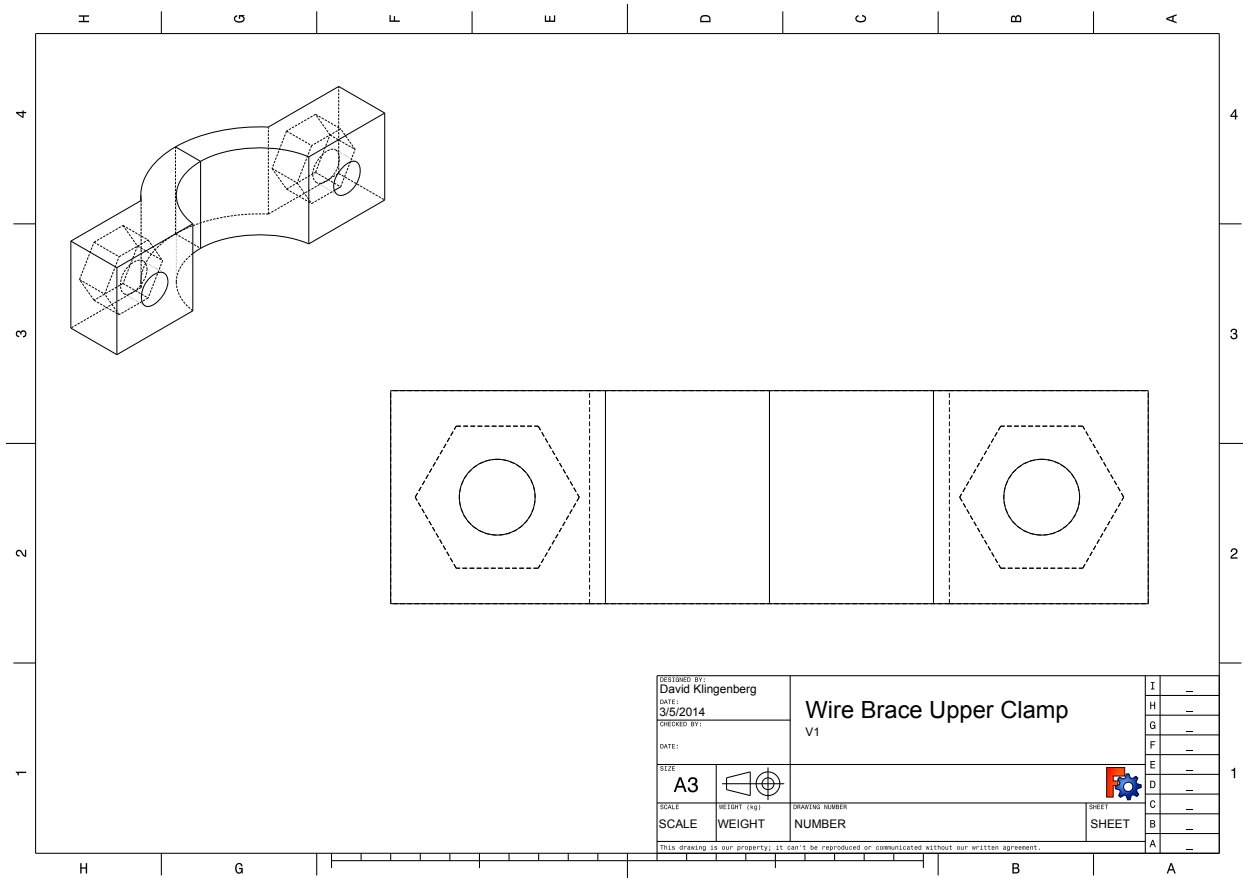


Figure 11: Wire Brace Upper Clamp

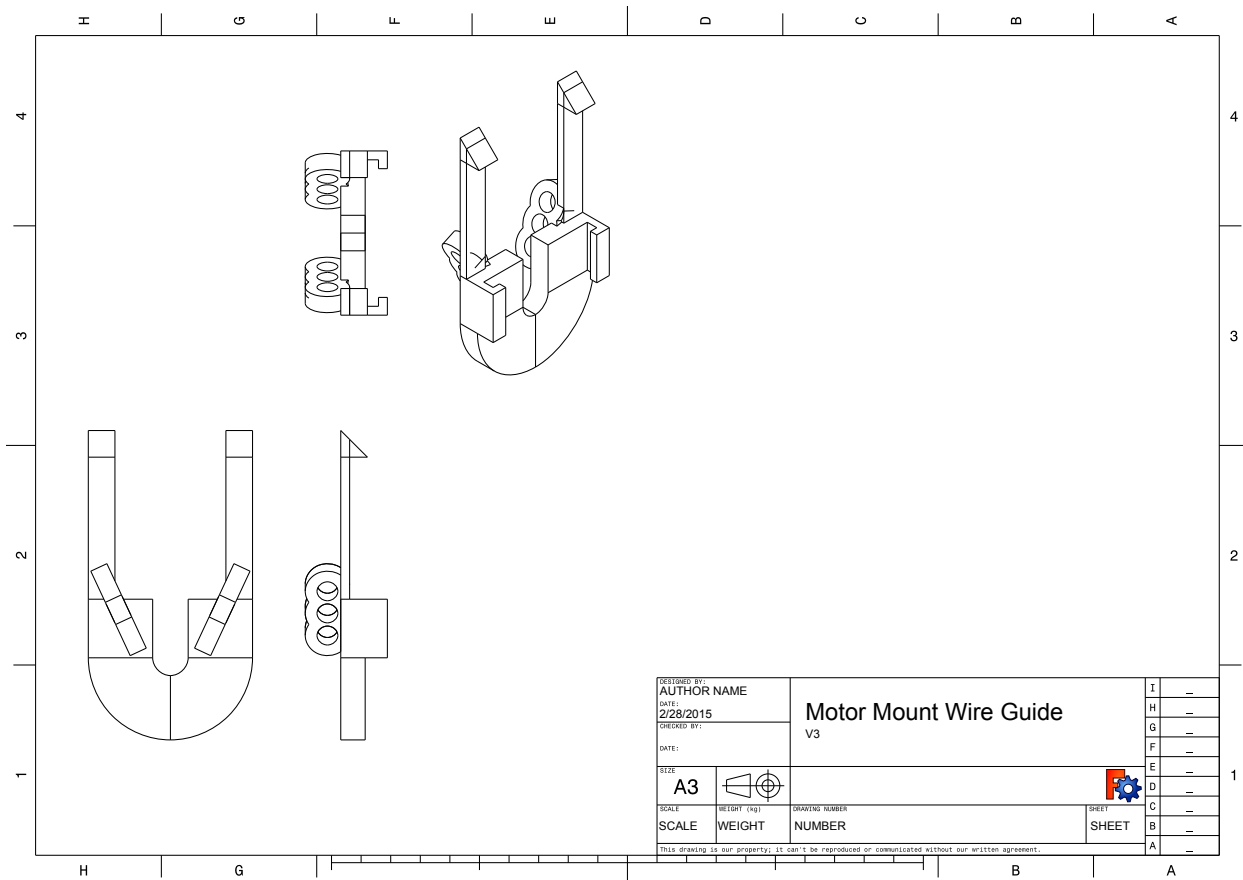


Figure 12: Motor Mount Wire Brace

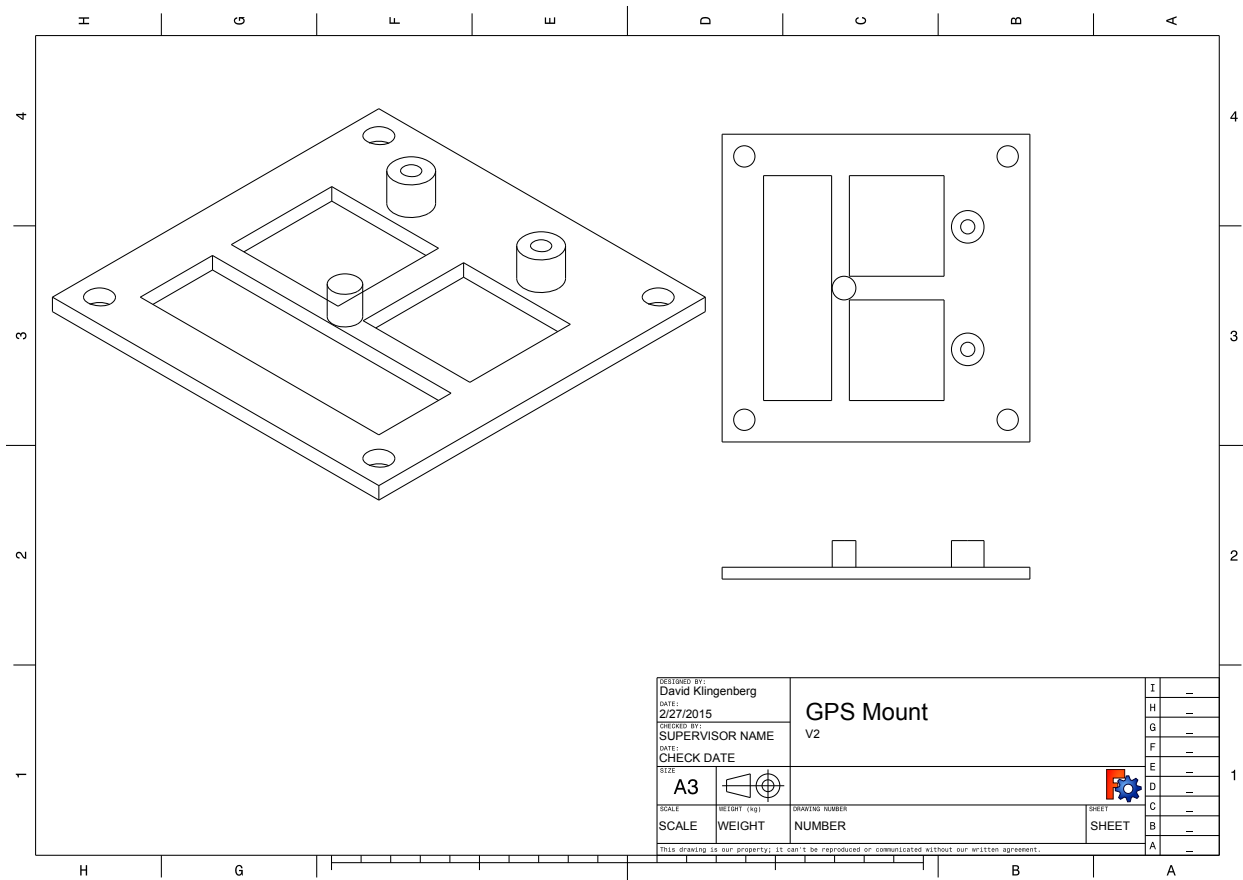


Figure 13: Gps Mount

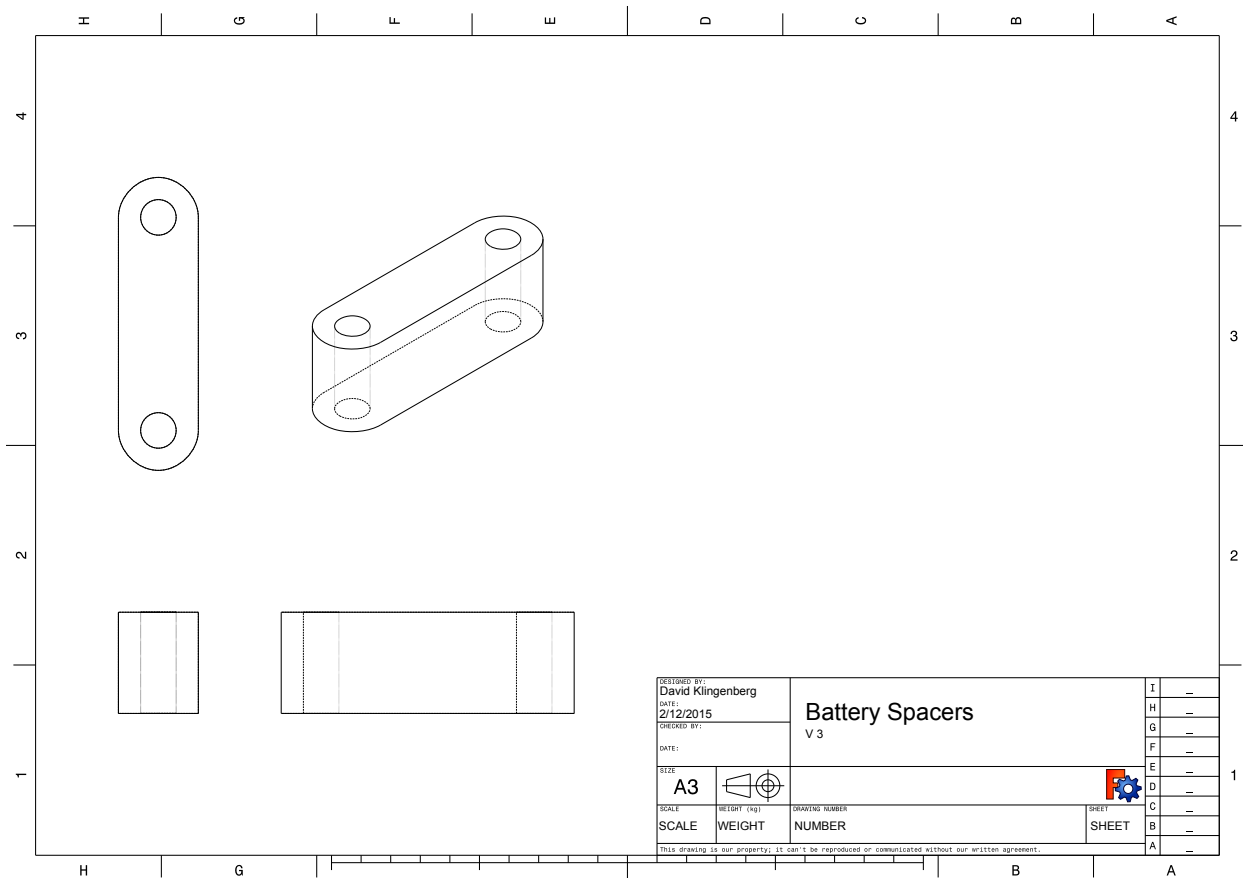


Figure 14: Battery Box Spacers

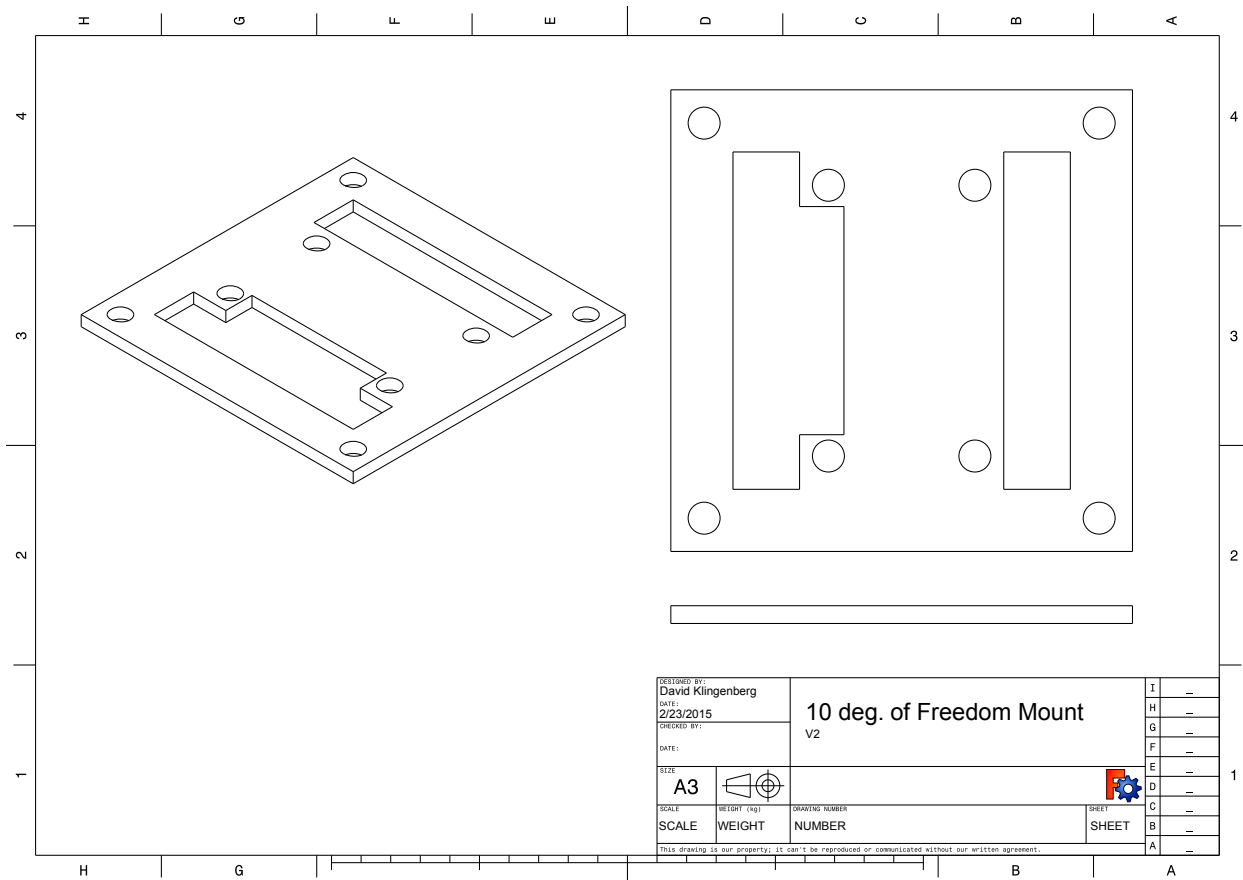


Figure 15: 10 Deg. of Freedom Sensor Platform



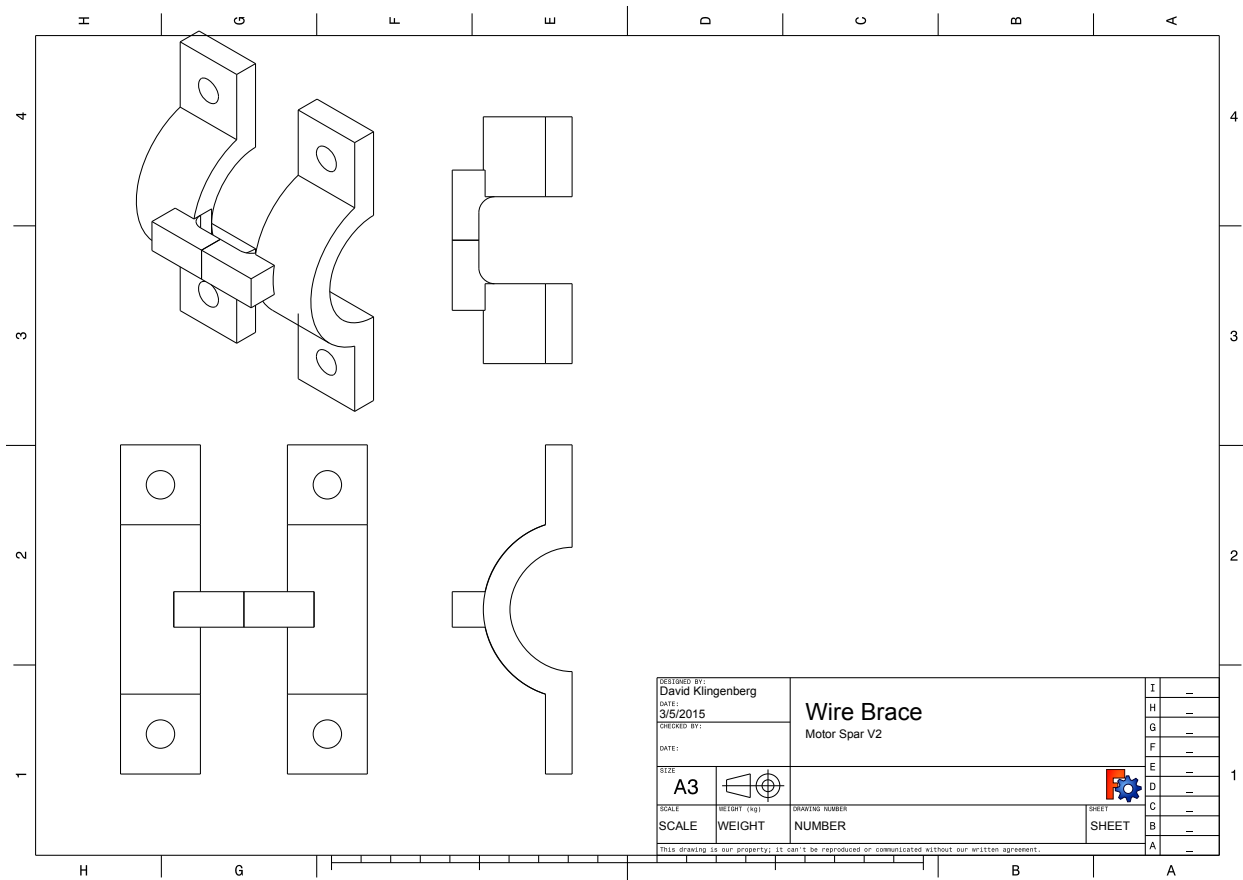


Figure 16: Wire Brace

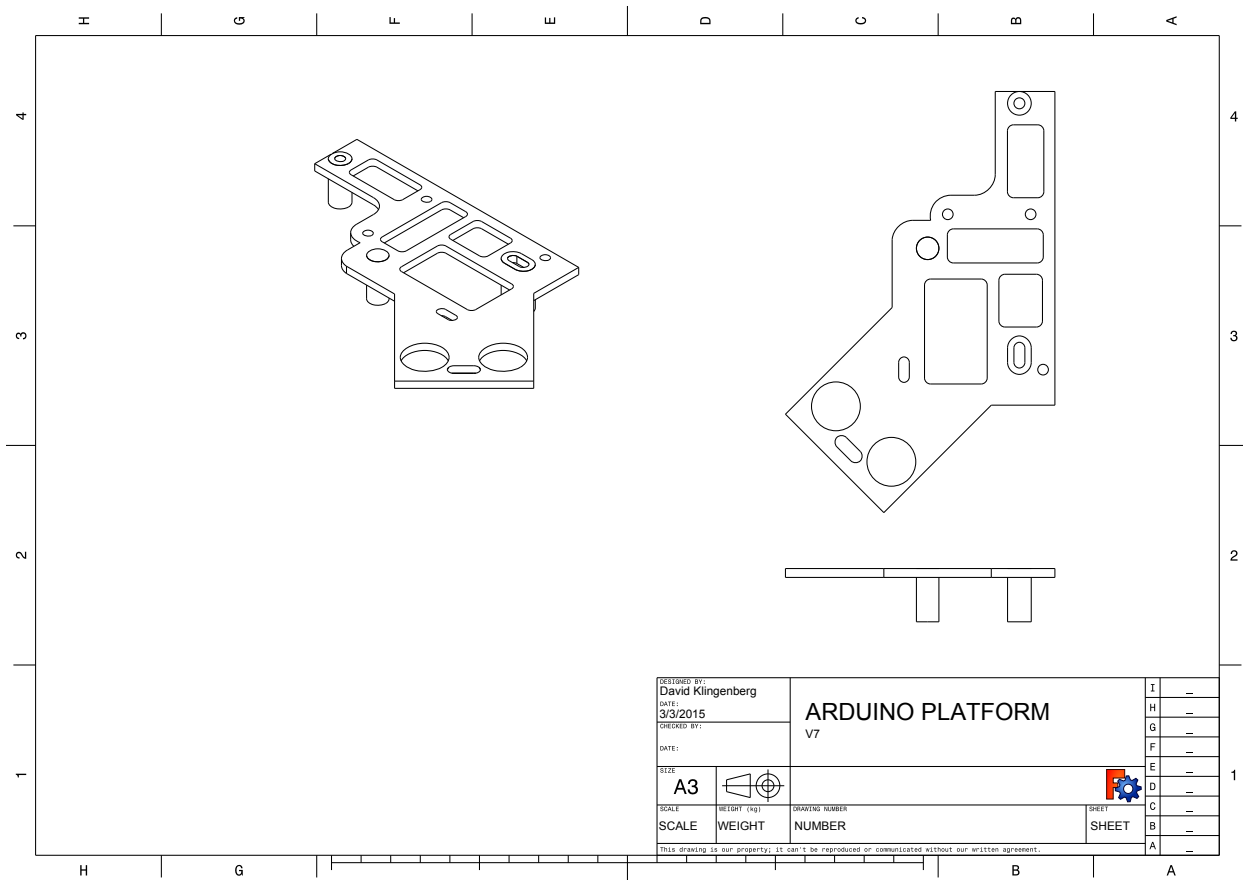


Figure 17: Arduino Platform

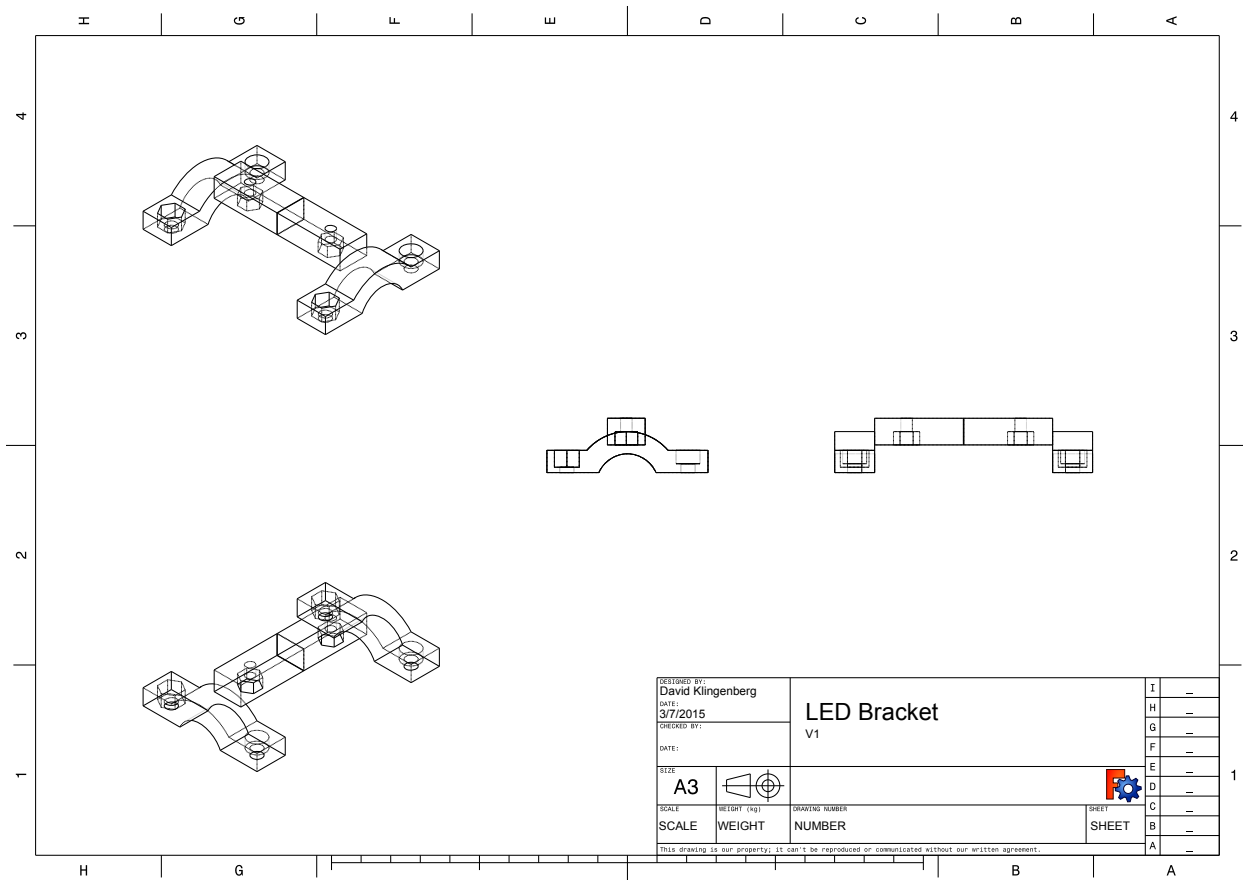


Figure 18: LED Bracket