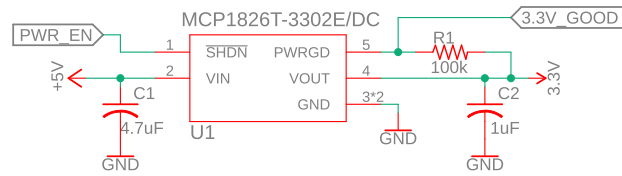
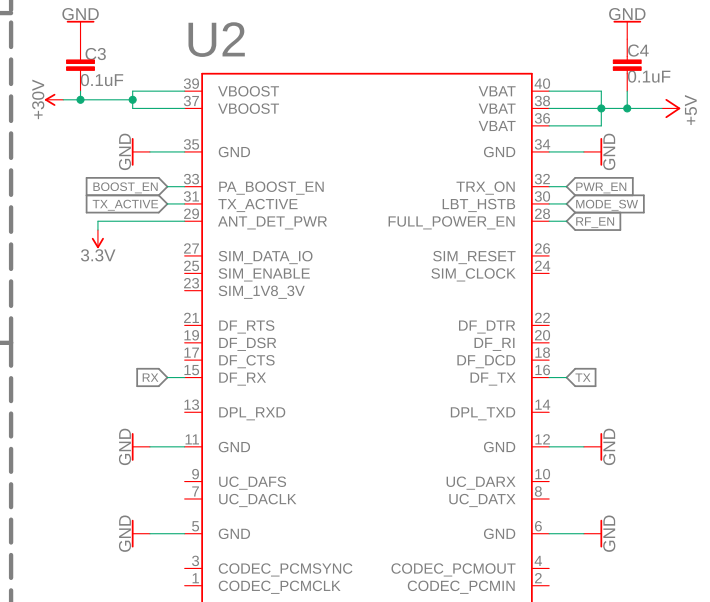


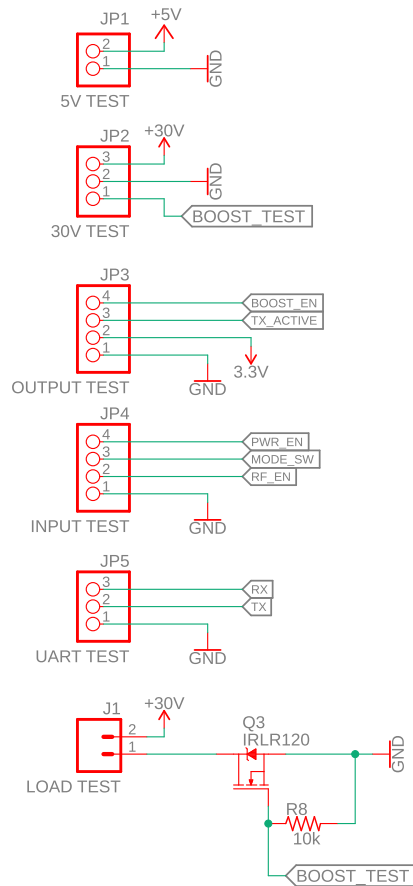
# 3.3V Linear Reg



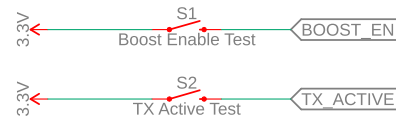
# Iridium 9523 Footprint



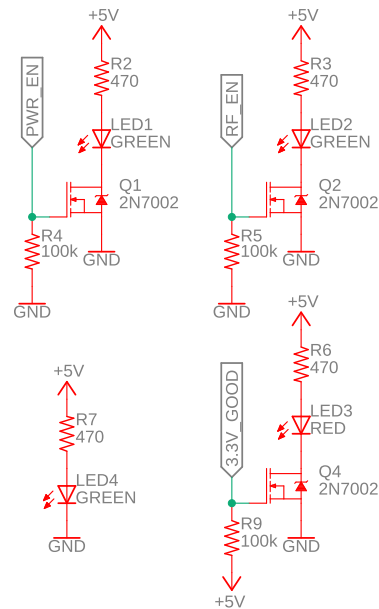
# Headers



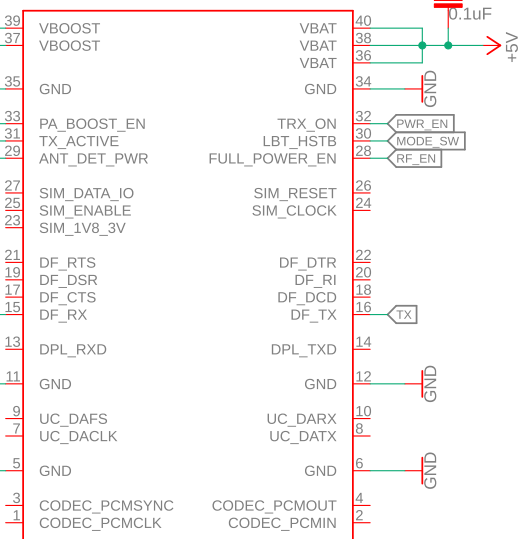
# Test Buttons



# Indicator LEDs



# U2



BOOST EN : OUT  
 TX ACTIVE: OUT  
 3.3V SENSE: OUT  
 POWER EN: IN  
 MODE SW: IN  
 RF EN: IN

TITLE: 9523 Simulator		REV: 1
Document Author: Avery Brock		
Date: 2/3/2019 4:38 PM	Sheet: 1/1	