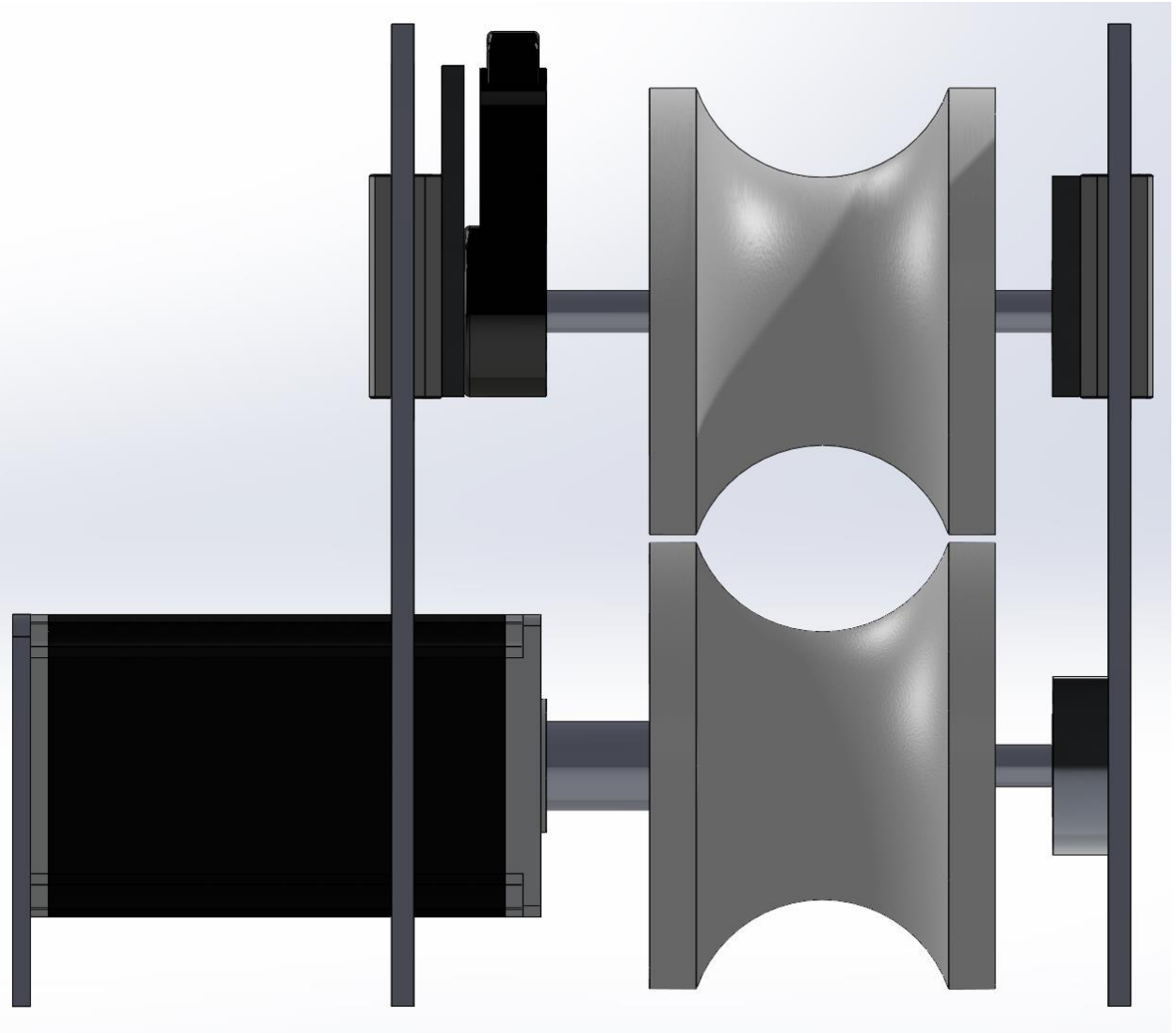
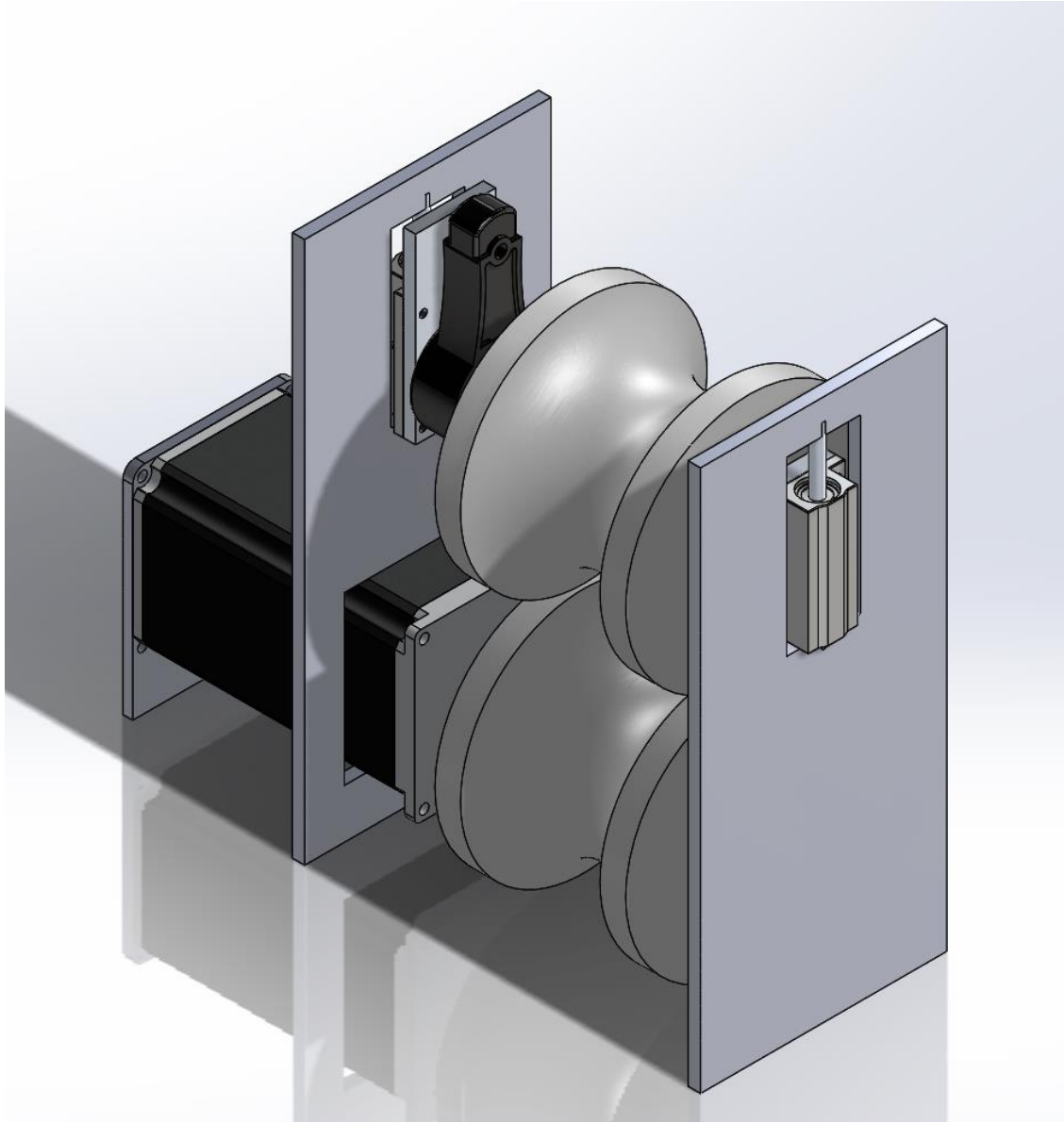
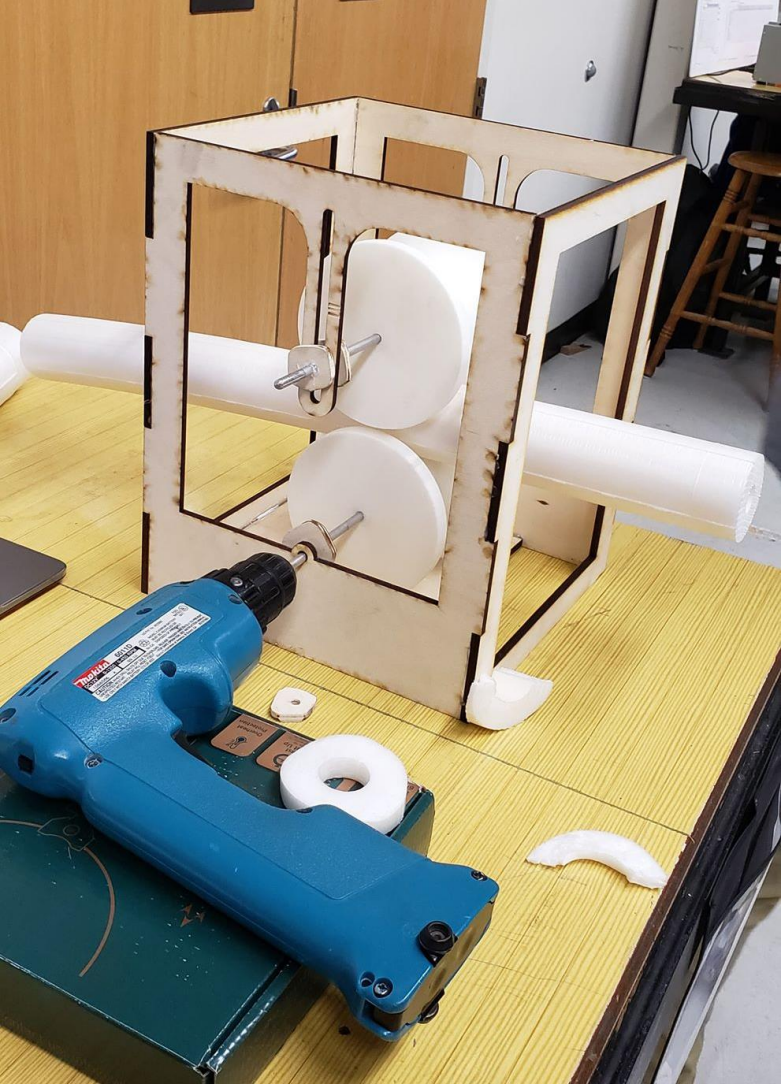


Display Rapid Prototype and discuss

Intake System No 80/20

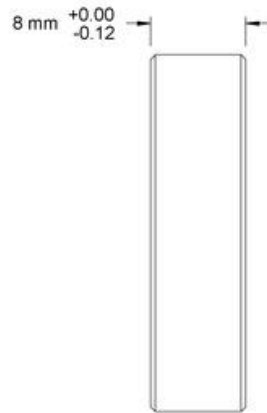
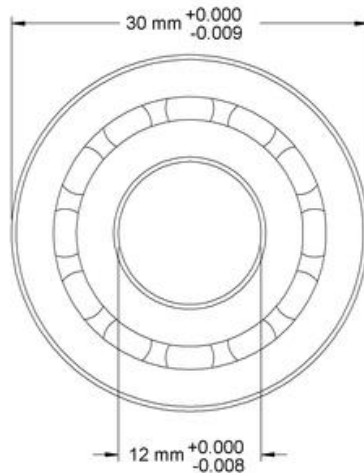
Ian Glasgow





Purchased Parts

QTY: 2 OR 3



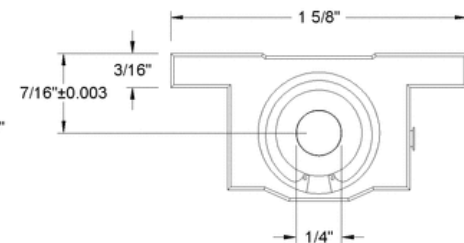
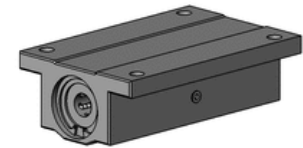
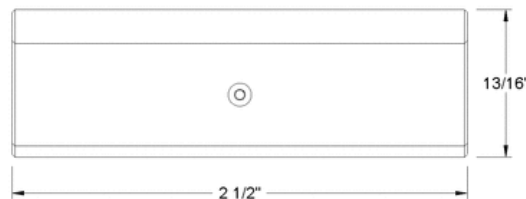
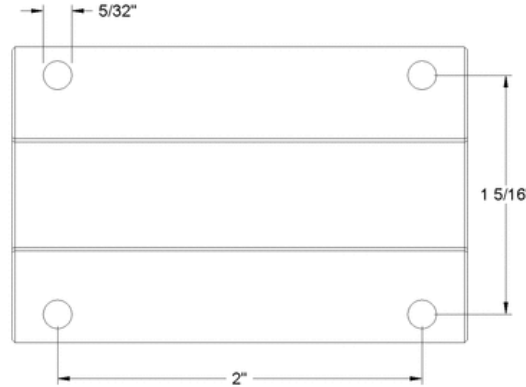
Trade Number: 16101

McMASTER-CARR CAD	PART NUMBER	5972K224
http://www.mcmaster.com		Ball
© 2017 McMaster-Carr Supply Company		Bearing
<small>Information in this drawing is provided for reference only.</small>		

Link: <https://www.mcmaster.com/5972k224>

Cost: \$39.71 Each

QTY: 2



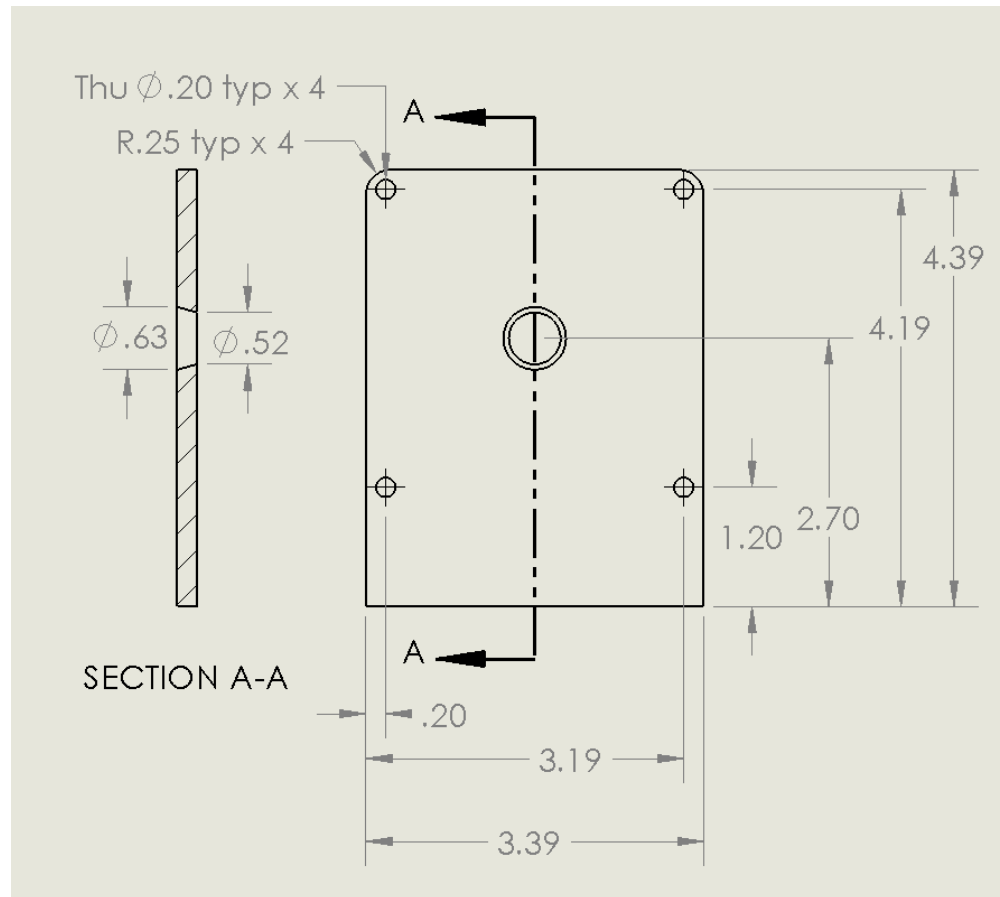
McMASTER-CARR CAD	PART NUMBER	6255K61
http://www.mcmaster.com		Pillow-Block
© 2011 McMaster-Carr Supply Company		Linear Ball Bearing
<small>Information in this drawing is provided for reference only.</small>		

Link: <https://www.mcmaster.com/6255k61>

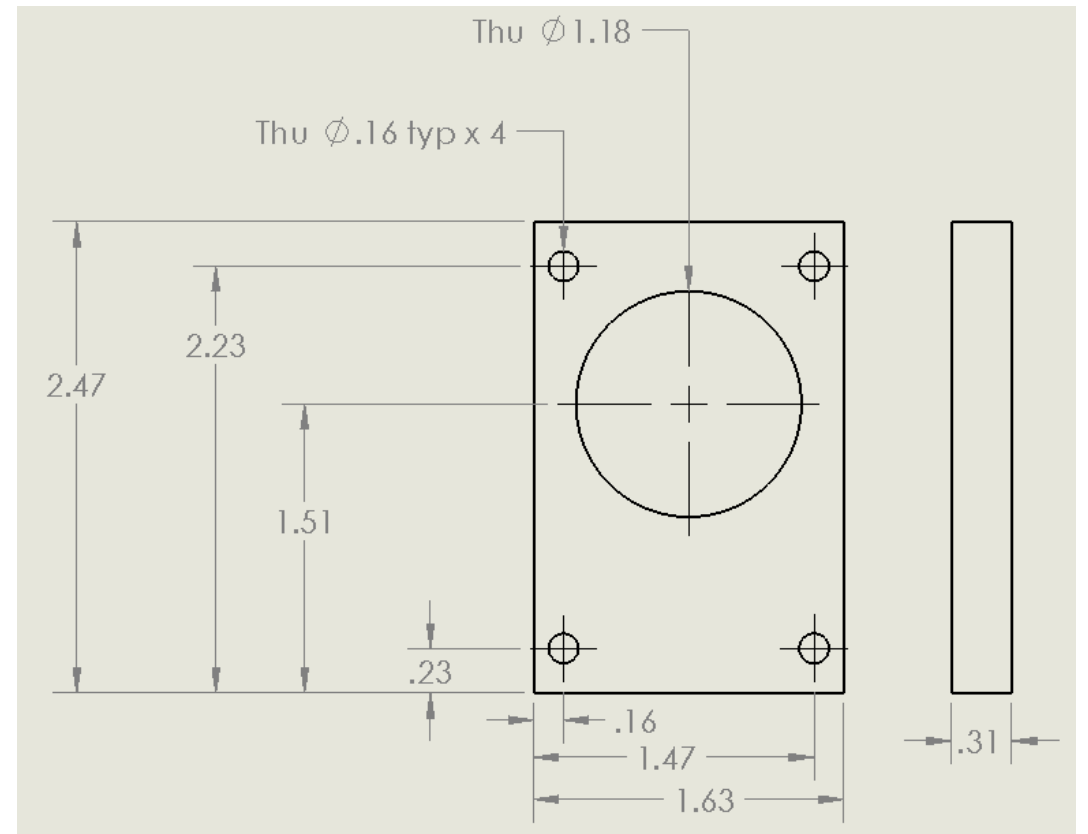
Cost: \$121.67 Each

Machined Parts

NEMA 34 Back plate

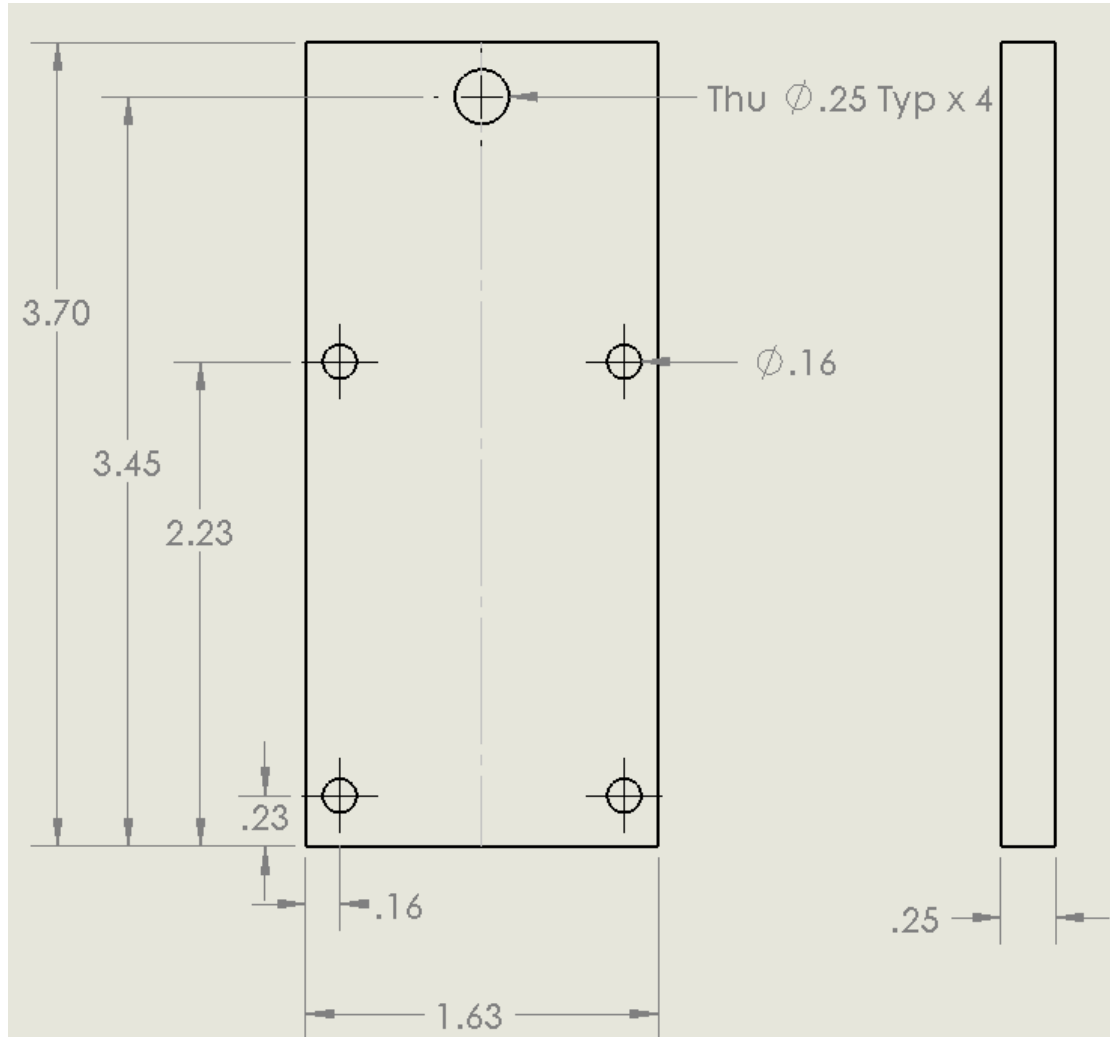


Circular to Linear Bearing Connector Plate

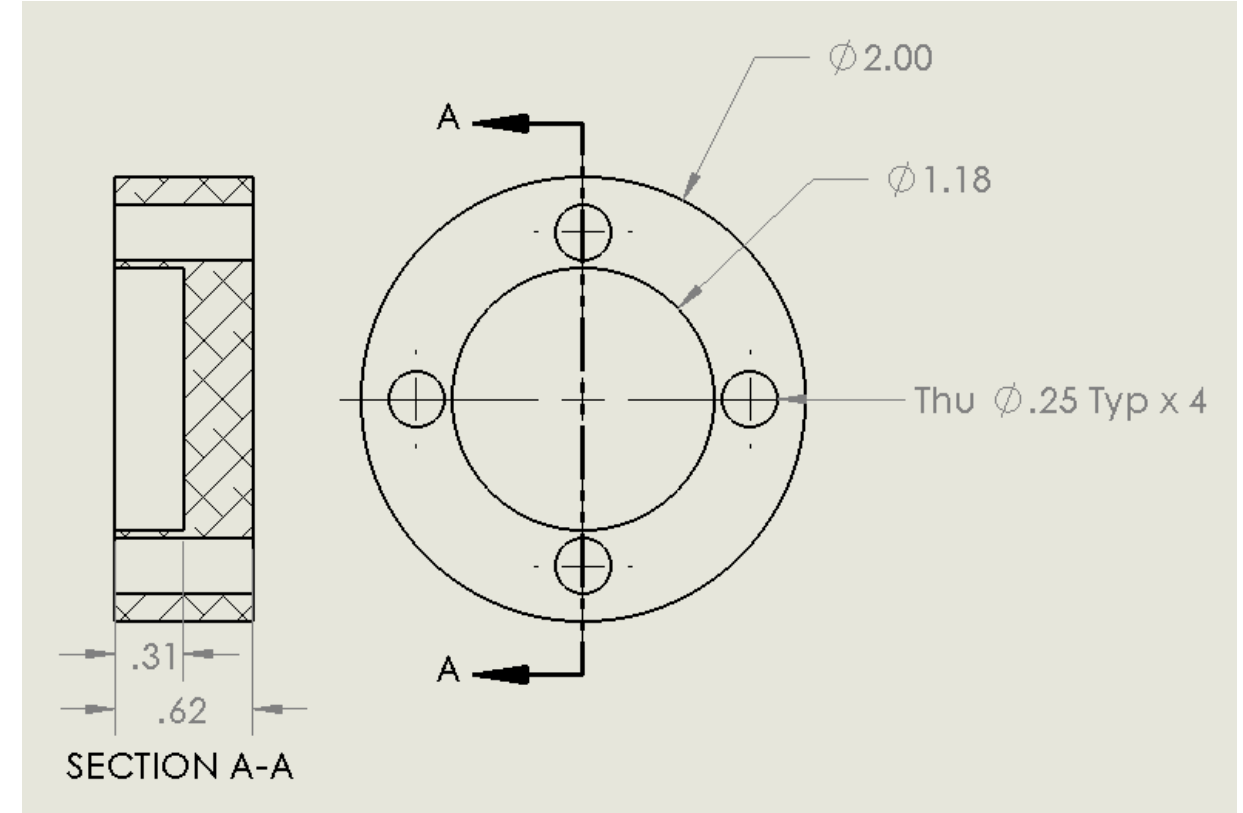


Machined Parts

Encoder to Linear bearing Connector



Bearing To back plate connector



Raspberry Pi Components & Keypad

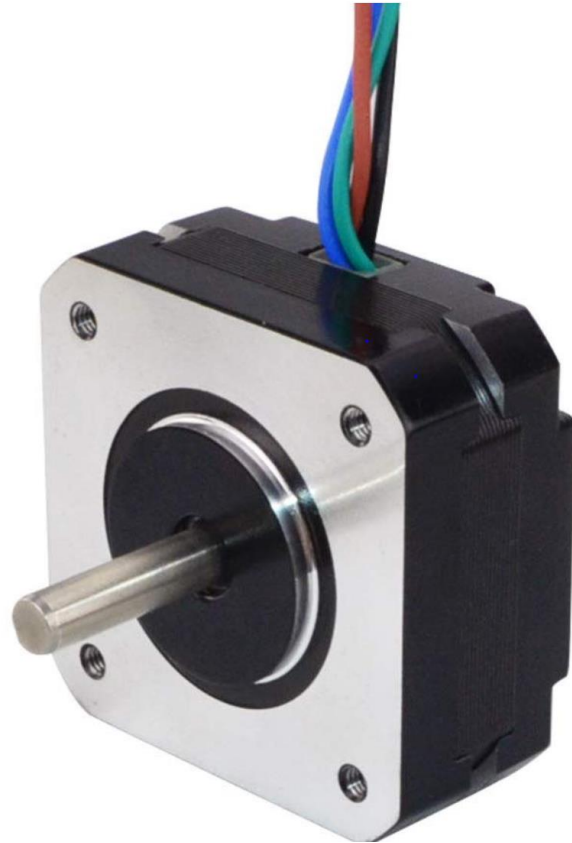
Alyssa Keys

Linear Servo & Baby Motor

Rennie Scott

Baby Motor

[Back to results](#)



STEPPERONLINE Short Body Nema 17
Bipolar Stepper Motor 1A 18.4oz.in/13Ncm
DIY CNC Extruder

by STEPPERONLINE

★★★★☆ 46 ratings | 17 answered questions

Amazon's Choice for "titan aero"

Price: **\$10.99** FREE Shipping on orders over \$25.00 shipped by Amazon
or get **Fast, Free Shipping** with Amazon Prime & FREE Returns

- Short Height
- 13Ncm(18.4oz.in) holding torque
- NEMA 17 bipolar 1.65"x1.65"x0.79" 4-wire
- 1.8 deg. step angle(200 steps/rev)
- Rated current 1.0A & resistance 3.5ohms

New (1) from **\$10.99** & FREE Shipping on orders over \$25.00

NEEWER

*Neewer SL-60W LED
Video Light with Remote*

Neewer SL-60W LED Video Light White 5...

\$145.99 prime



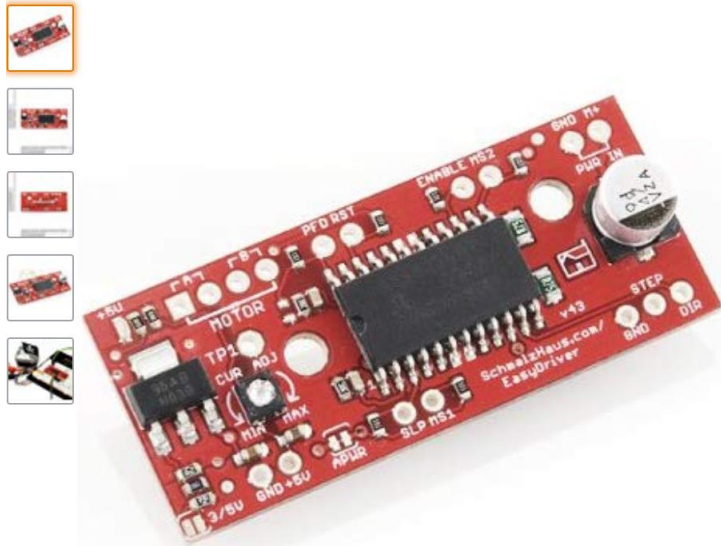
Ad feedback

Nema 17

- Cost: \$11
- Weight: 1.5N = .33 lbf
- Size: 1.65"x1.65"x0.79"

https://www.amazon.com/Short-Bipolar-Motor-18-4oz-13Ncm/dp/B00PNEQ79Q?ref=ast_sto_dp

Stepper Driver



SparkFun EasyDriver Stepper Motor Driver

by SparkFun

★★★★☆ 47 ratings | 13 answered questions

List Price: \$14.95

Price: **\$14.23** FREE Shipping on orders over \$25.00 shipped by Amazon or get **Fast, Free Shipping** with Amazon Prime & FREE Returns

You Save: **\$0.72 (5%)**

- MS1 and MS2 pins broken out to change microstepping resolution to full, half, quarter and eighth steps (defaults to eighth)
- Adjustable current control from 150mA/phase to 750mA/phase
- Power supply range from 7V to 30V. The higher the voltage, the higher the torque at high speeds

New & Used (7) from **\$13.09** & FREE Shipping on orders over \$25.00

Stepper Driver:

- Cost: \$14.23
- Size: .83"x1.9"

<https://www.amazon.com/SparkFun-EasyDriver-Stepper-Motor-Driver/dp/B004G4XR60>

Linear Servo



Roll over image to zoom in

by [SainSmart](#)

100mm Travel Length Linear Rail Guide Ballscrew Sfu1605 DIY CNC Router Parts X Y Z Linear Stage Actuator with NEMA17 Stepper Motor

[See all 2 in this Product Family](#)

★★★★★ 10 ratings | 5 answered questions

Price: **\$69.99** & **FREE Shipping**. [Details](#)

New (1) from **\$69.99** + FREE Shipping

Product Specifications

Part Number	4897093840110
EAN	4897093840110
Material	Aluminum
Number of Items	1
Size	100mm
Specification Met	

Ballscrew Servo:

- Speed: 50 mm/s
- Cost: \$70
- Total Length: 10.2"
- Linear Movement: ~4"
- Weight Capacity: 98N
- Motor: NEMA17 (inc)

https://www.amazon.com/Travel-Ballscrew-Sfu1605-Actuator-Stepper/dp/B07DC42DLW/ref=pd_sim_469_3/141-4400567-9640156?encoding=UTF8&pd_rd_i=B07DC42DLW&pd_rd_r=692b00c6-6095-430a-84bd-3179bbbc6370&pd_rd_w=U8QUo&pd_rd_wg=FgLWn&pf_rd_p=04d27813-a1f2-4e7b-a32b-b5ab374ce3f9&pf_rd_r=BWCJTDJHF7D8R5GPHG6M&psc=1&refRID=BWCJTDJHF7D8R5GPHG6M

Action Items (Due Friday, Dec 13th at 0900)

- Portfolio Revision
 - A: Delete/Rearrange Folders, RPi Learning, More descriptive picture titles
 - K: Encoder research add to PL, create BOM
 - I: Scanner Learning, 3D Wheel drawing
 - R: Upload Prototype video, Rapid Proto Learning, TOC
- Wikipage Revision (Rennie)
- Order Parts (Kyle)
- Machining (Ian)
- All: Logbooks