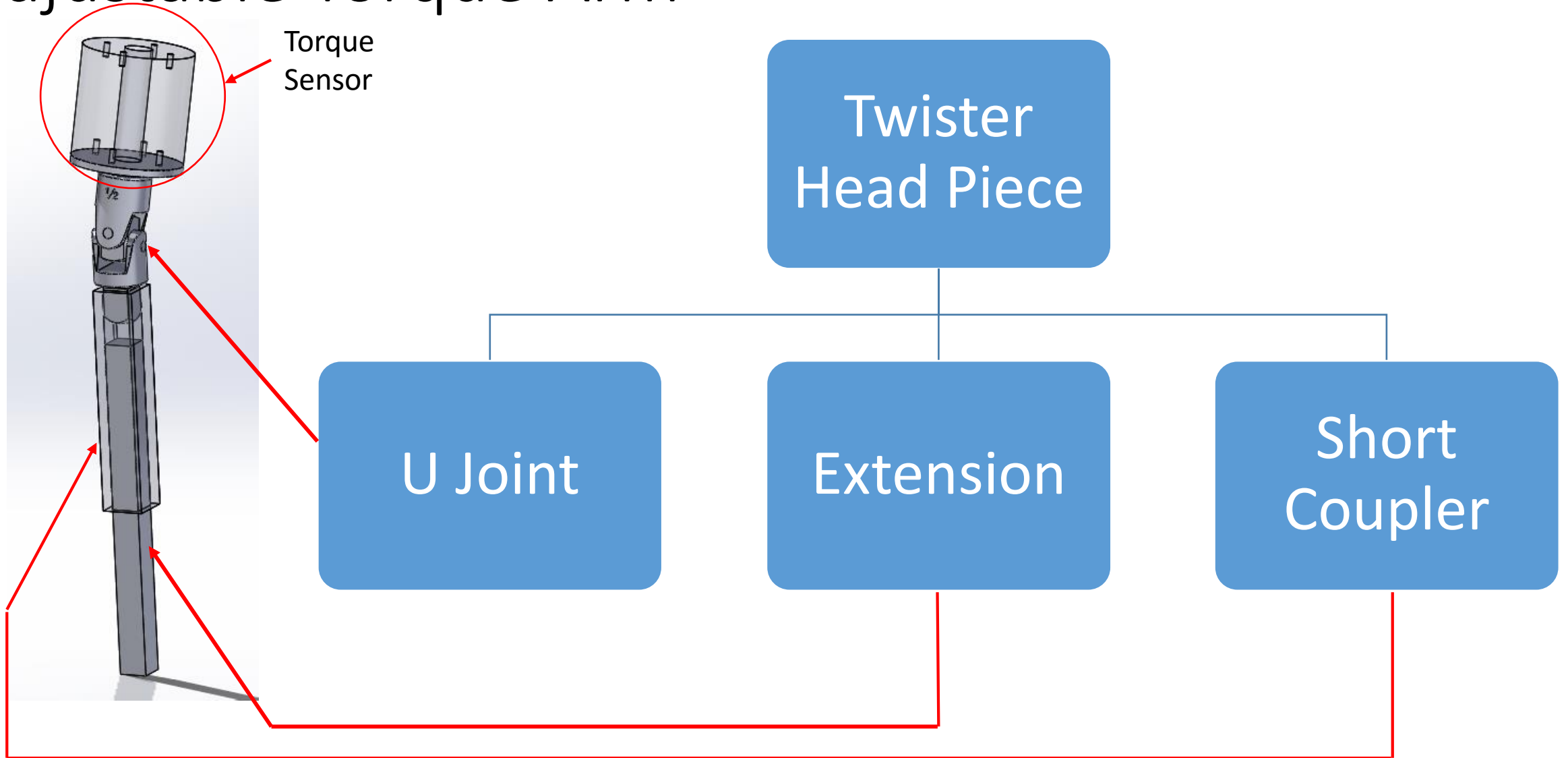
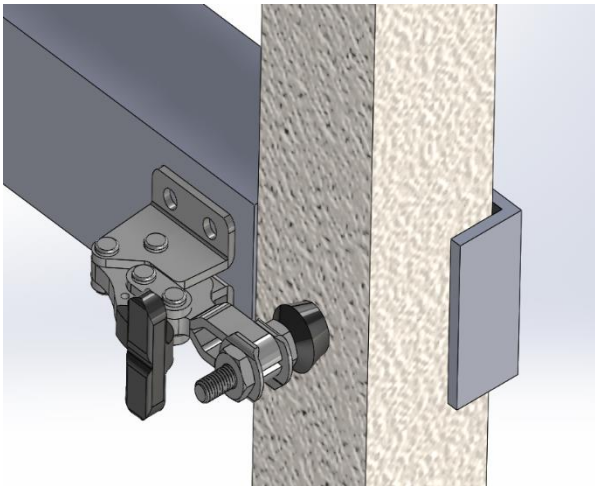
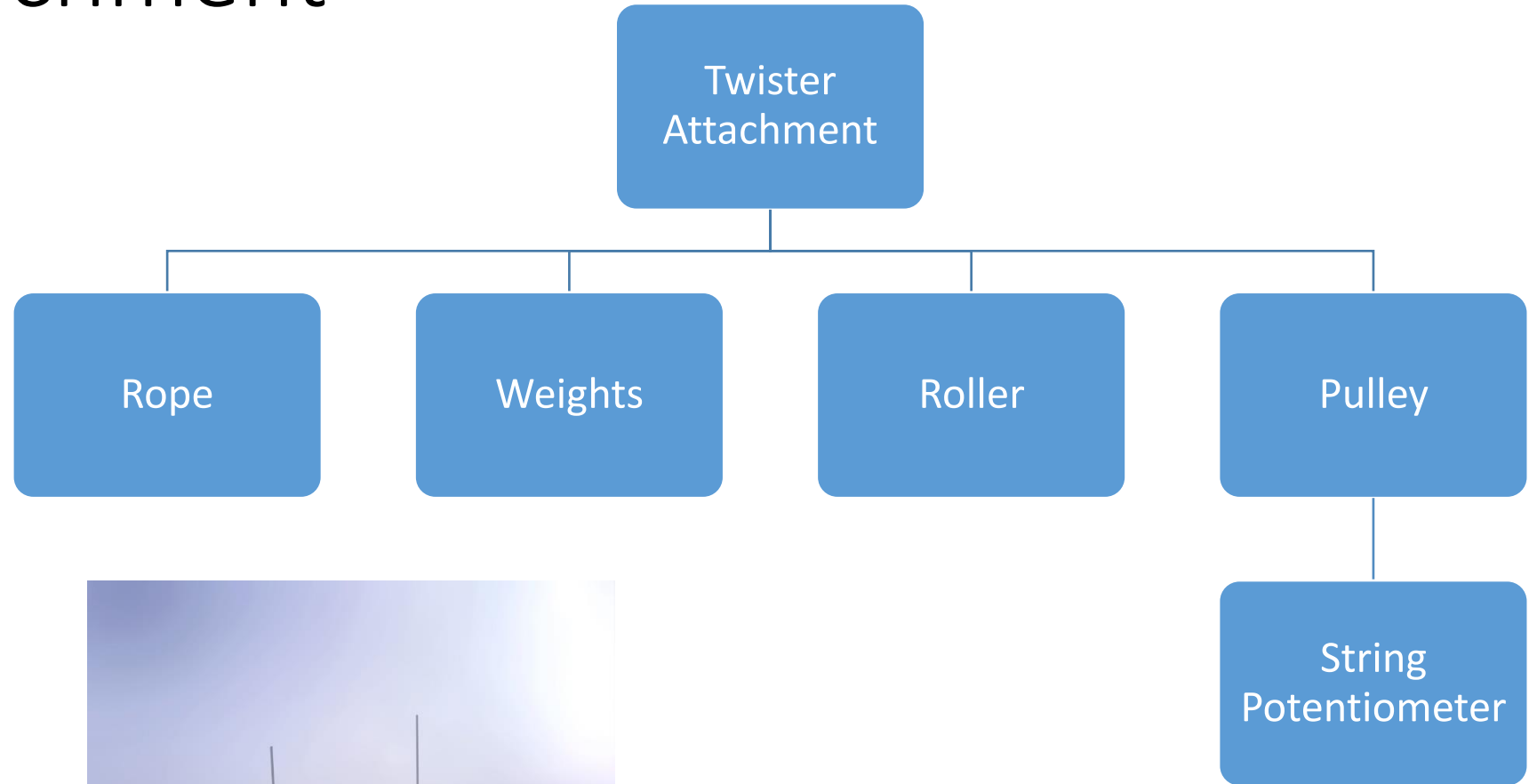


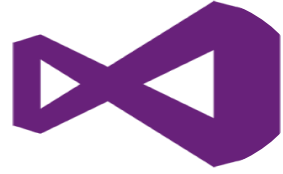
# Adjustable Torque Arm



# Twister Attachment



# Electrical System Representation



Visual Studio



String Potentiometer



Motion Monitor

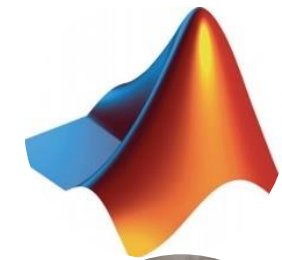


Torque Sensor

*Initialize/control*



Arduino



Matlab



Electromagnet



Potentiometer



Motor

