

CONCEPT DEVELOPMENT

- I We decided to use Arduino nanos as they are the only Arduino microcontrollers that will be able to fit inside the PVC tubing
- I We ended up using the HM-10 Bluetooth module over an hc-06 Bluetooth module as the hc-06 could not connect to devices using Bluetooth 4.2
- I We are using PVC as it is light, durable, and easy to replace

DESIGN VALIDATION

- I The HC-12 wireless communication module works when separated by 100 ft with objects in the way
- I HM-10 Bluetooth module works with a 50 ft distance between phone and probe
- I Battery life of probes when powered by 9V battery lasts more than 10 hours when running continuously
- I Data from probes matches data from old system within .05% error

OBJECTIVE

Develop a wireless stream velocity measurement device that can communicate with 2 or more conductivity probes, and have the readout being accessible from a phone or tablet

VALUE PROPOSITION

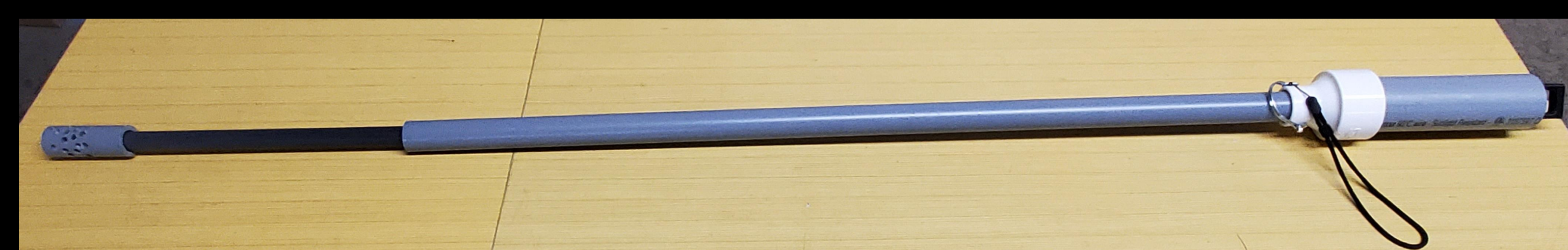
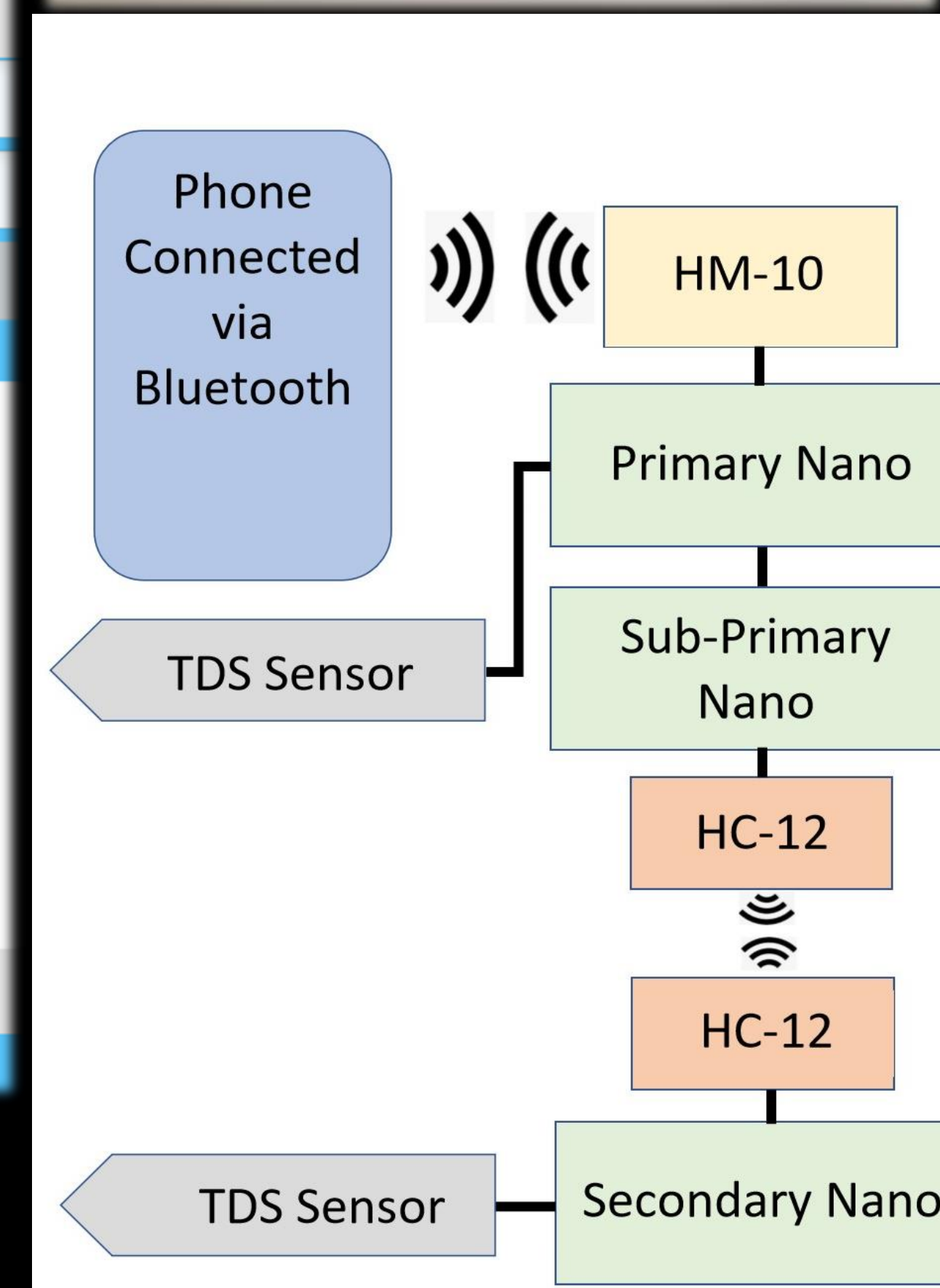
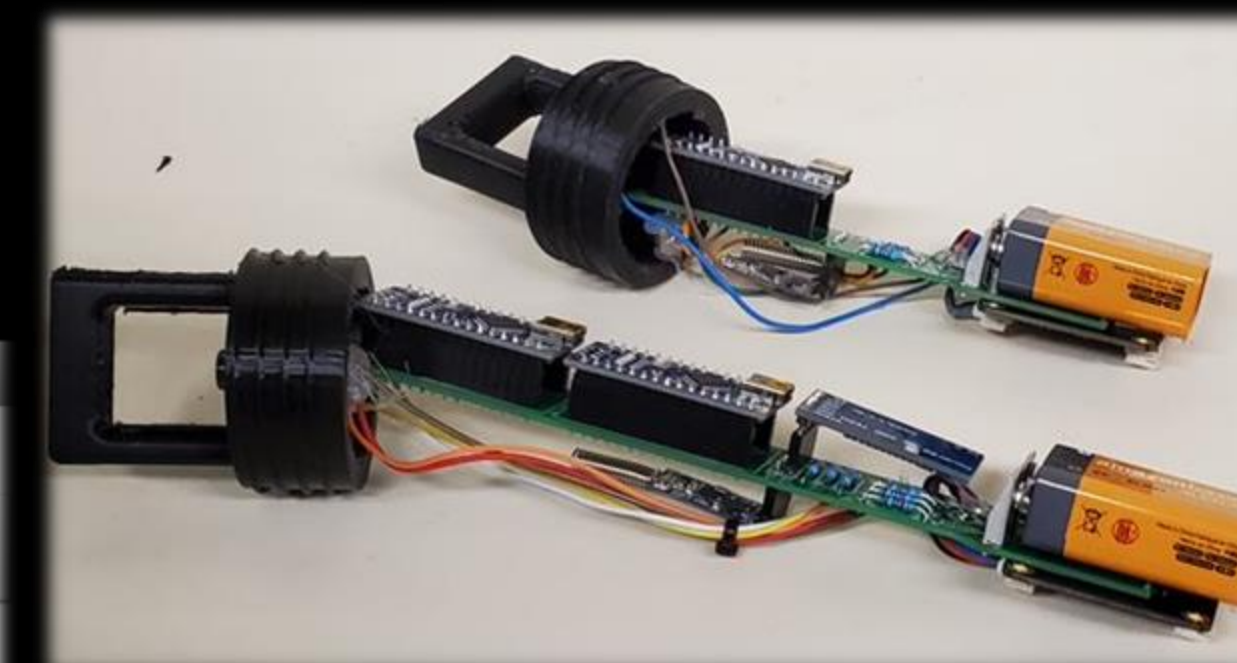
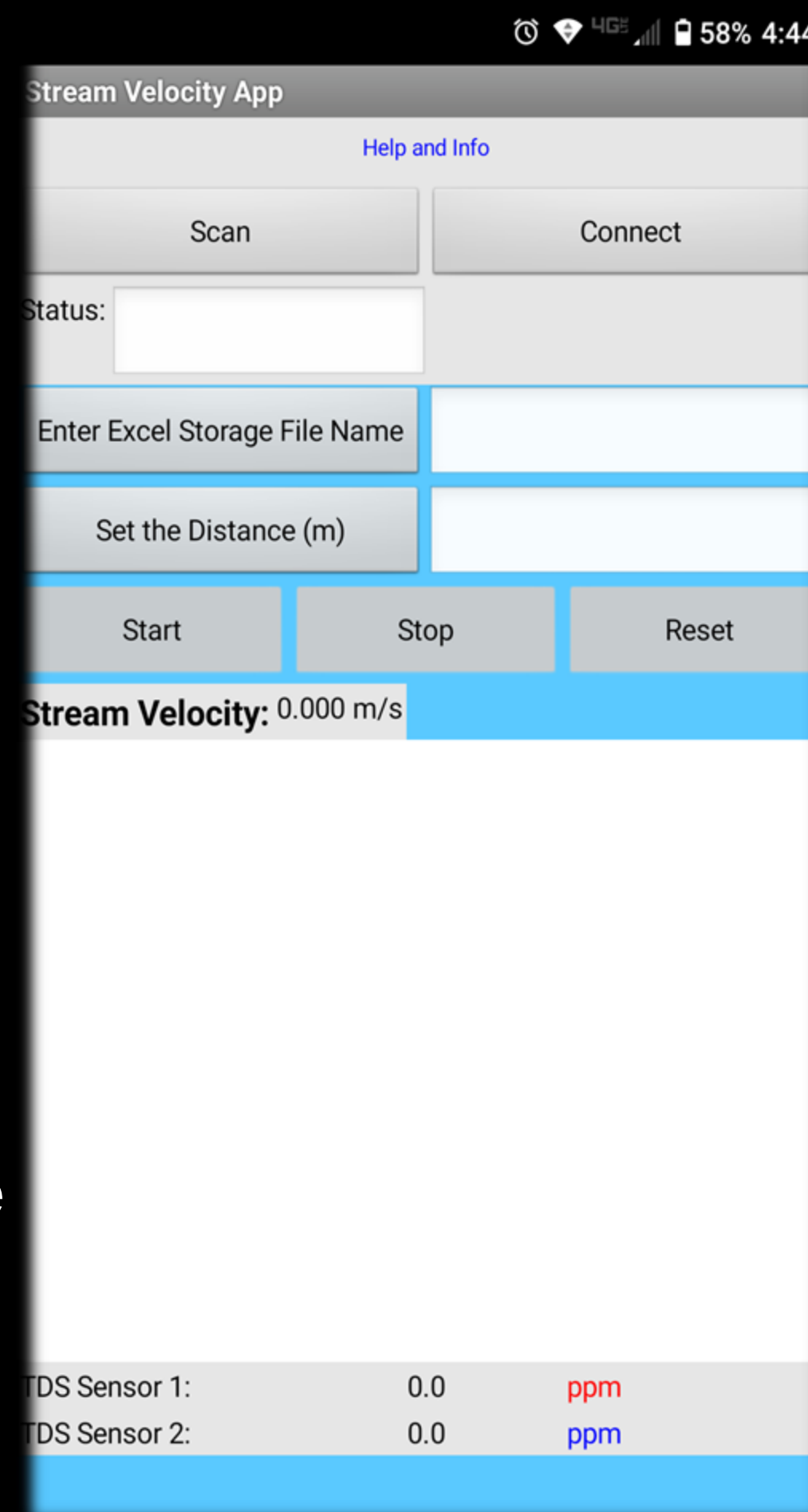
- I Update a system that has been out of date for several years
- I Create a safer working environment for the researchers
- I Allow for more efficient data collection by having all data accessible from a tablet or smart phone immediately

KEY REQUIREMENTS

- I Work with a wide stream velocity range (2 L/min to 4 cfs)
- I Work with a wide variety of stream widths (5 inches to 5 ft)
- I Be able to work with a probe separation of about 6 stream widths
- I Must be compatible with most phones and tablets
- I Must be less than 20 lbs
- I Must be suitable for all weather conditions (rain/sleet/snow)
- I Device can be up and running within 20 minutes

FINAL DESIGN

- I All electronic components are housed on custom printed circuit boards (top right)
- I Block diagram of the circuitry (bottom right)
- I A screenshot of the designed app (right)
- I Exploded view and assembled view (below)



CONCLUSIONS

- I Our system is accurate while offering a more user-friendly interface
- I It is also safer than the previous version by being light weight and wireless

RECOMMENDATIONS

- I Prototyping early and often leads the best results of any design
- I Thinking outside of the box is often the best solution to any problem

ACKNOWLEDGEMENTS

- I Lead Instructor: Steven Beyerlein
- I Team Mentor: Ryan "Jack" Gonzalez
- I USDA Forest Service Clients: Pete Robichaud and Bob Brown