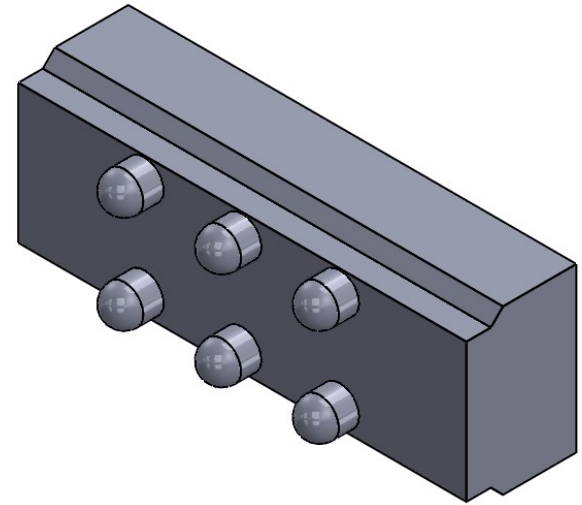
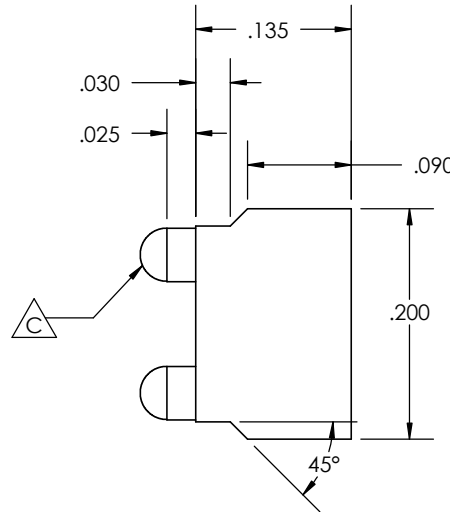
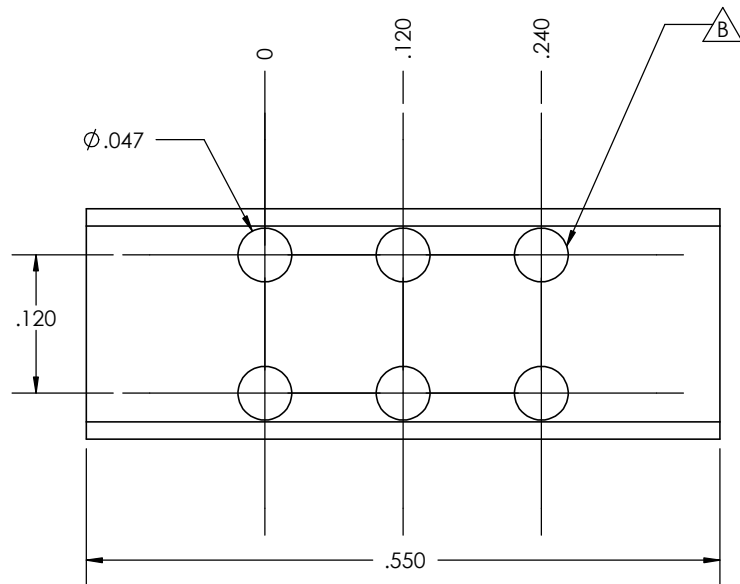


ITEM NO	PART NUMBER	DESCRIPTION	MATERIAL	VENDOR	VENDORNO
1	00-04_STAMP	Sliding letter indenter	PLA		

REVISIONS				
Rev	Description	DrawnBy	CheckedBy	Date
A	Initial Release	Reilly Neel	John Cosso	7/9/2020
B	Spacing decreased to allow for more columns	RN	JC	7/9/2020
C	Dot size decrease	RN	JC	7/9/2020



- NOTES:
1. Designed to be 3D printed with PLA filament, dimensions are shown to illustrate tolerances used
 2. Model takes into consideration shrinkrate as found by tests with Sindoh 3DWox1

PROPRIETARY AND CONFIDENTIAL THE INFORMATION CONTAINED IN THIS DRAWING IS THE SOLE PROPERTY OF UNIVERSITY OF IDAHO, ME DEPARTMENT. ANY REPRODUCTION IN PART OR AS A WHOLE WITHOUT THE WRITTEN PERMISSION OF UNIVERSITY OF IDAHO, ME DEPARTMENT IS PROHIBITED.		DIMENSIONS ARE IN INCHES THIRD ANGLE PROJECTION		PROJECT TITLE: Prototype 2
DEFAULT TOLERANCES: LINEAR: X. ±.25 X.X ±.1 X.XX ±.01 X.XXX ±.002		ANGULAR: X. ± 2 X.X ± 1 X.XX ± 0.30'		UNIVERSITY OF IDAHO ME DEPARTMENT
DESCRIPTION: Sliding letter indenter		FILE NAME/PART NUMBER: 00-04_STAMP		SHEET: 1 OF 1 SCALE: 6:1
				REVISION: C