



University of Idaho

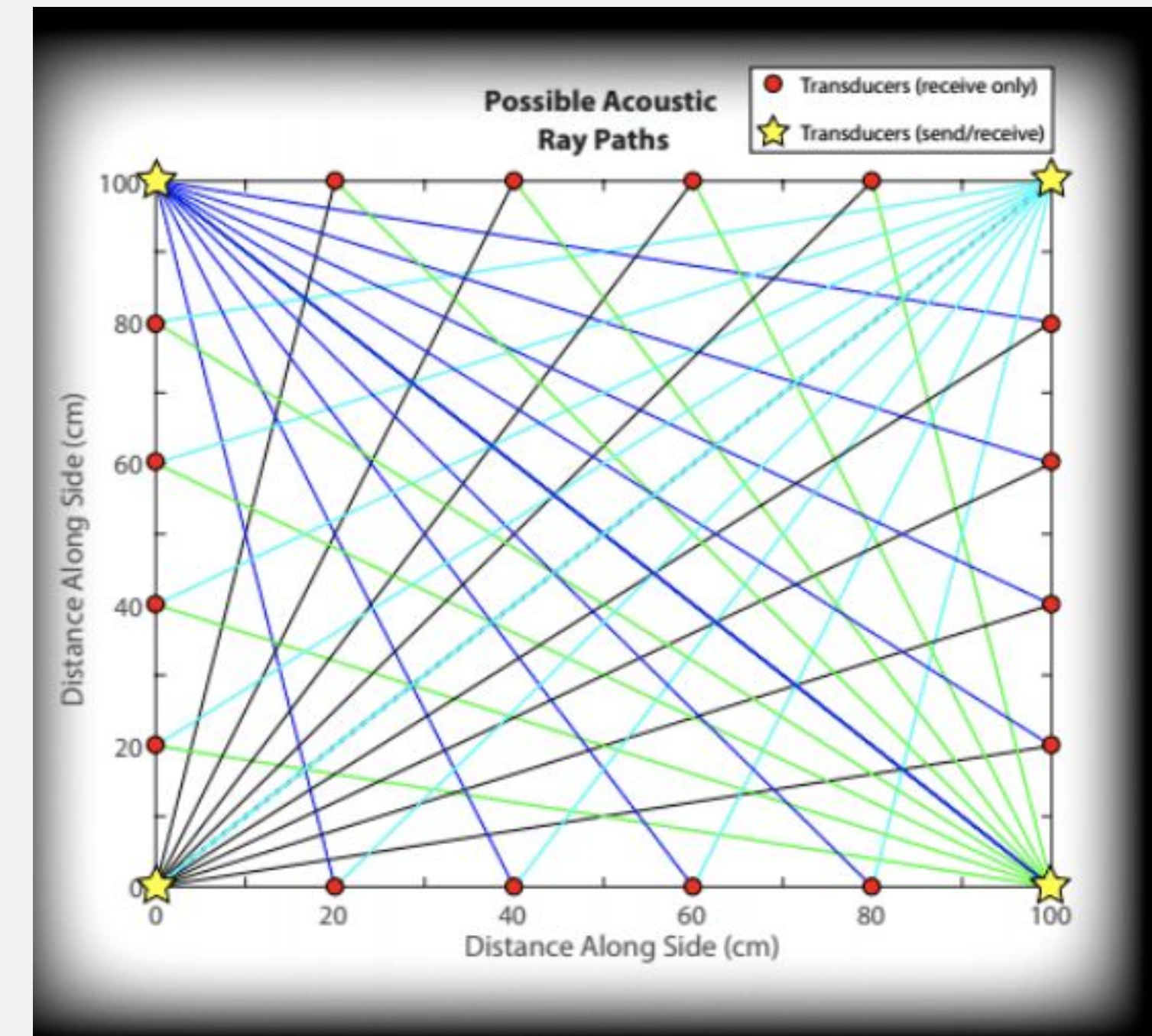
College of Engineering

HYDROTHERMAL TOMOGRAPHY DESIGN REVIEW

**COLTON ARTIS, KIANA
PITMAN, AND BRADY HISLOP**

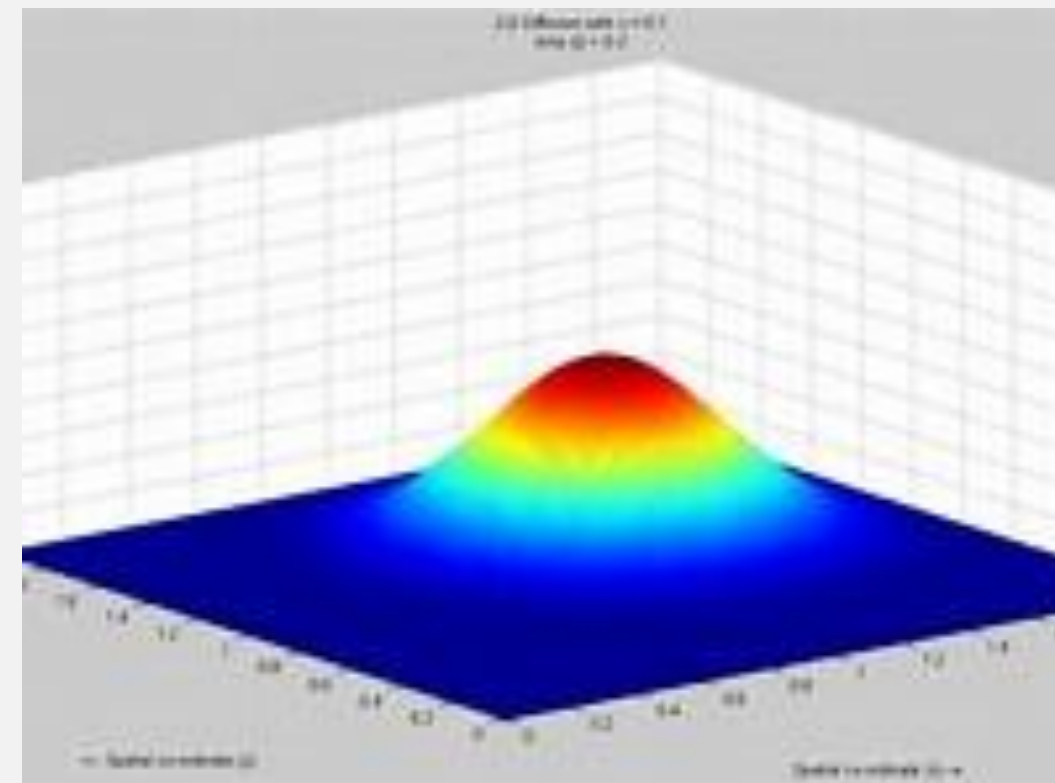
PROJECT GOAL

- Create 2D temperature map
- Correlate the time of flight to the temperature of the water
- Build system of sending a receiving transducers
- Electrical system that can measure time of flight and store data



DELIVERABLES

- Frame with Transducer Holders featuring well defined location
- Electrical System capable of sending and receiving the signals
- System capable of measuring and Recording travel time
- Suggestions to further the project



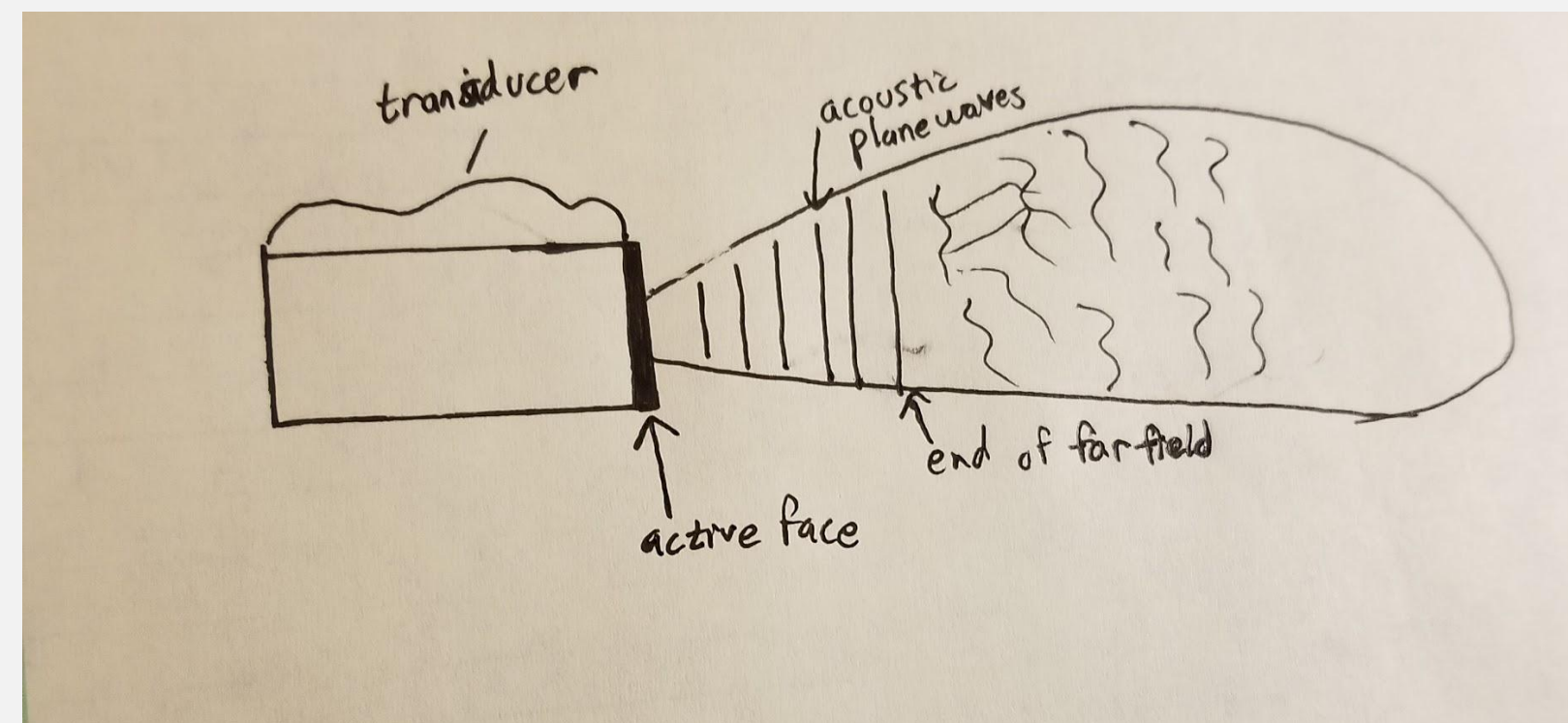
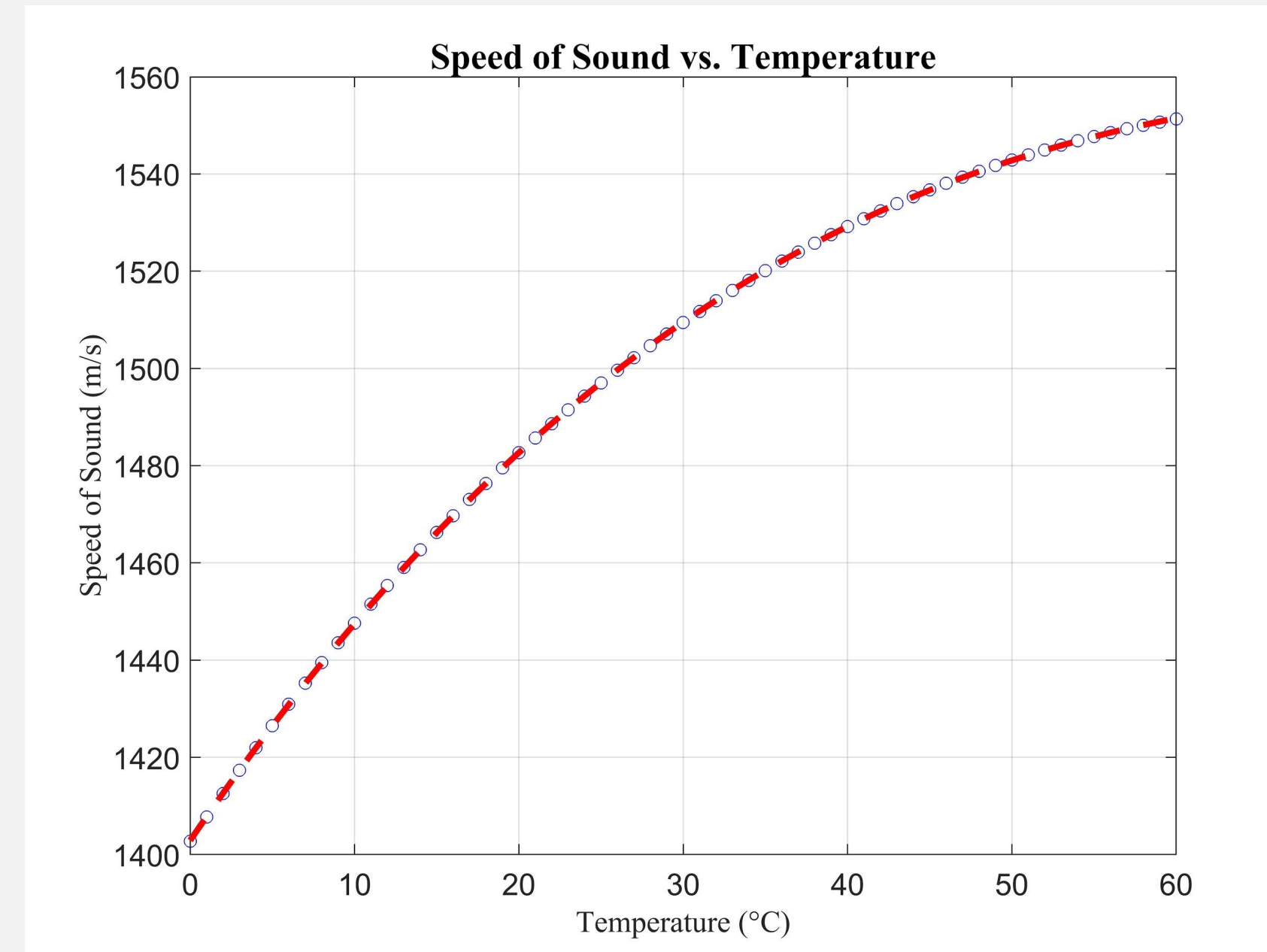
SPECIFICATIONS

- Capture all wanted data in less than a second
- Have a resolution of time of flight between the range of $10\mu\text{s}$ to $0.01\mu\text{s}$
- Automatically measure and record travel time
- Rigid Frame ensuring that the distance is well defined.
- Minimally or non-invasive system



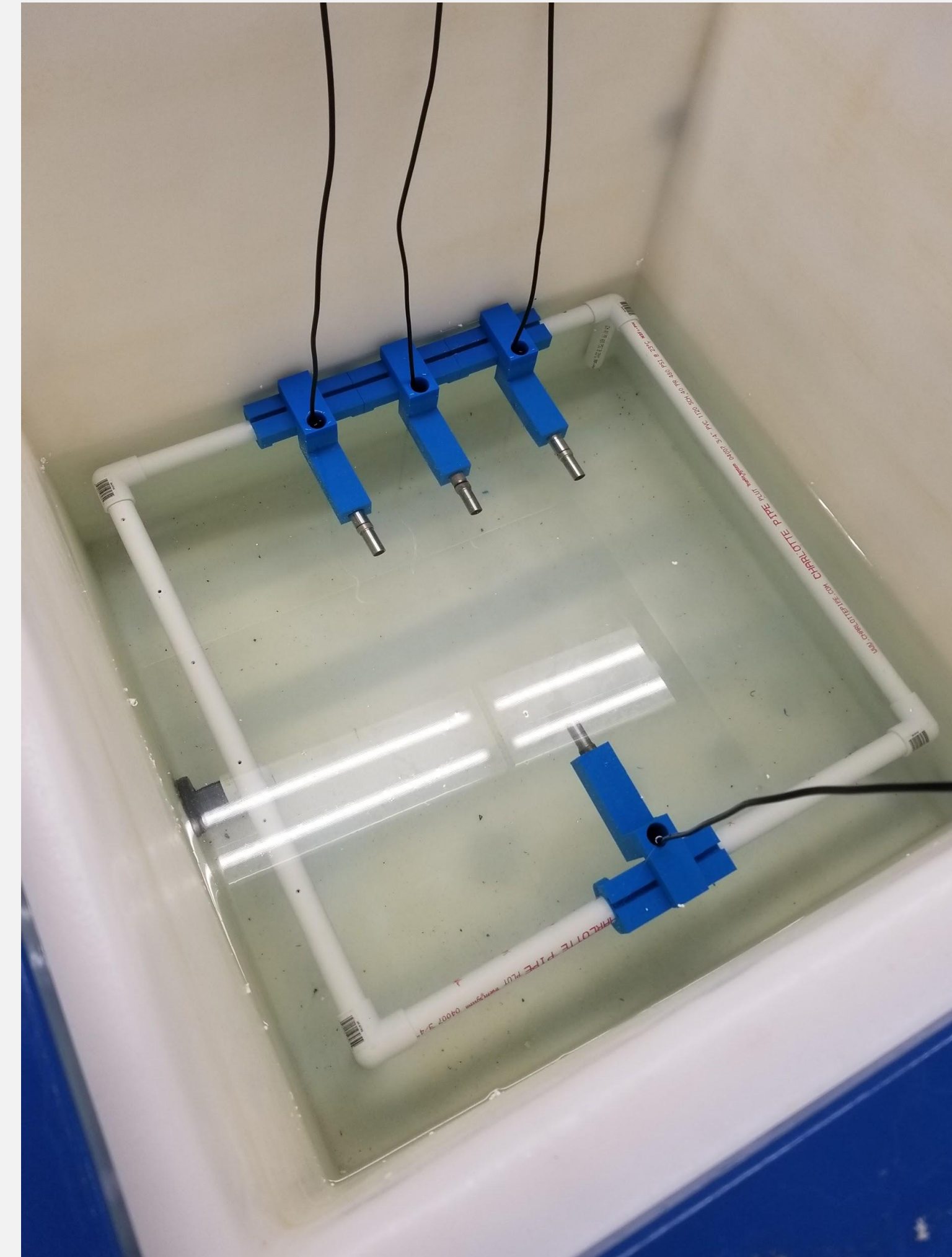
PROJECT LEARNING

- Speed of sound in water
- Far-Field
- Transducer holder
- Propagation of Sound



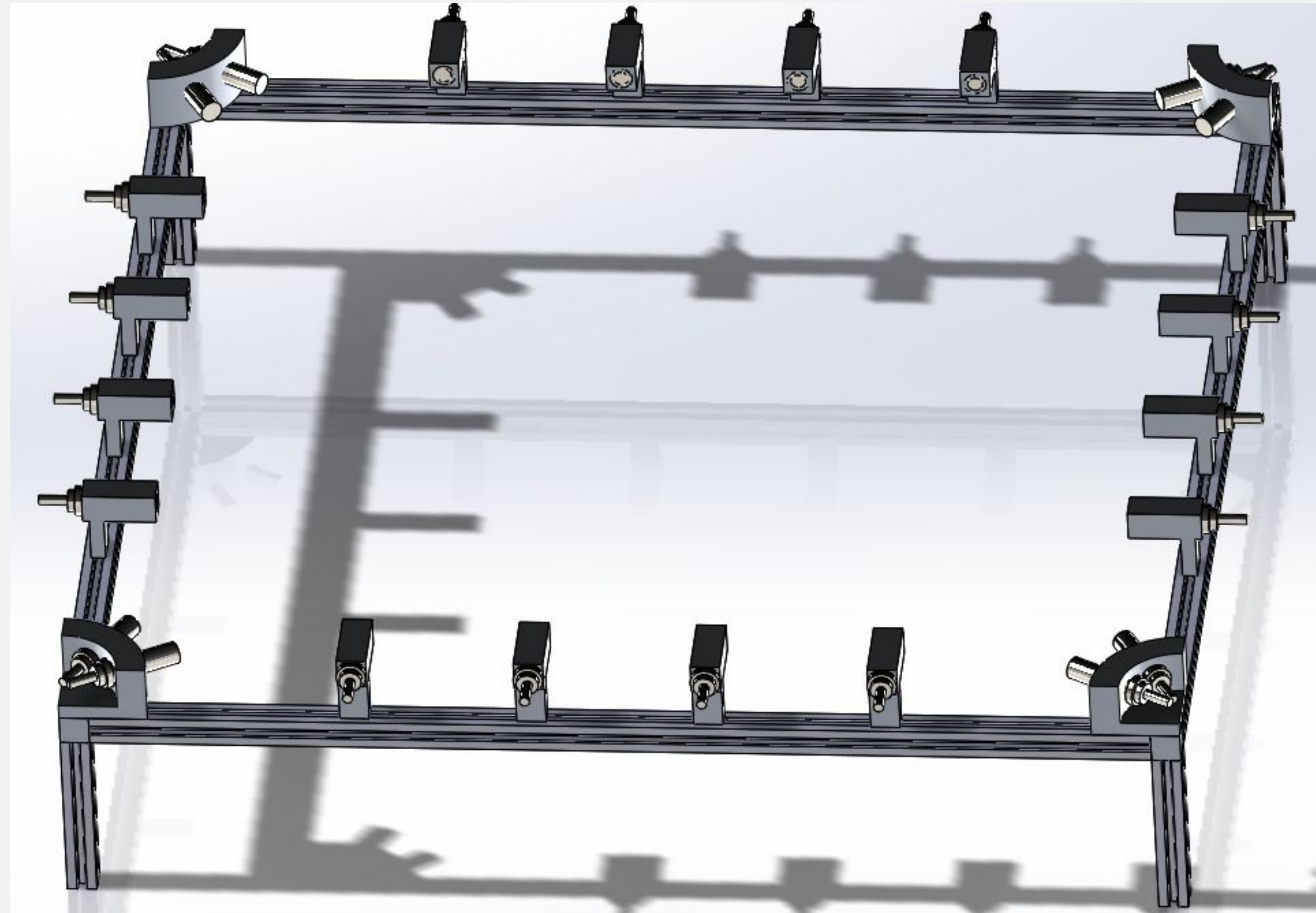
Current Progress

- 3D printed holders for Transducers
- Developing PIC32 code
- Verification of transducer signals
- Prototyping Transducer holders
- Receiving 3 signals and sending 1 signal



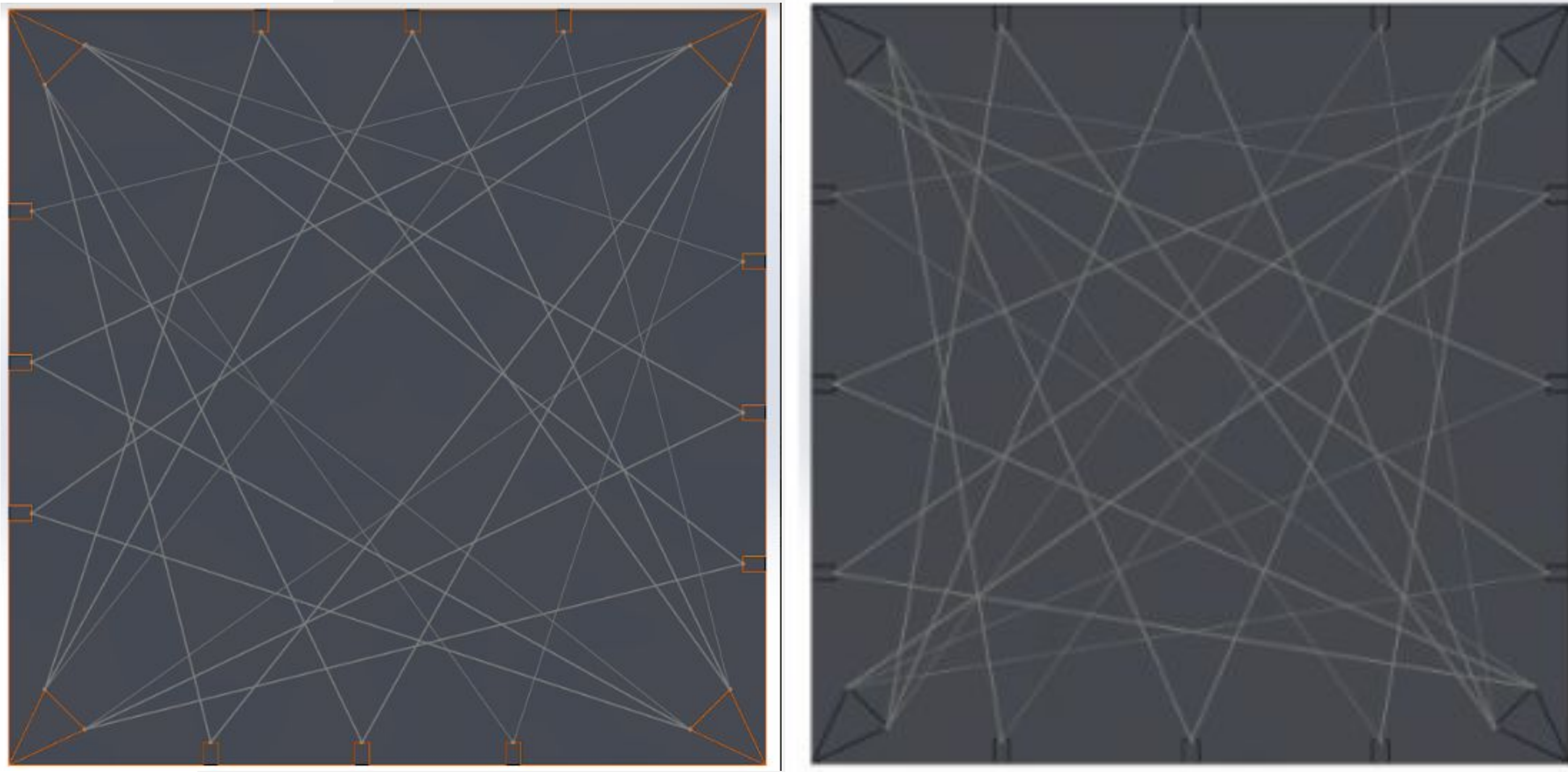
DESIGN IDEA #1

- Corner Transmitters
- Perpendicular Receivers
- Rigid 1x1 meter frame
- Power Supply (200V)



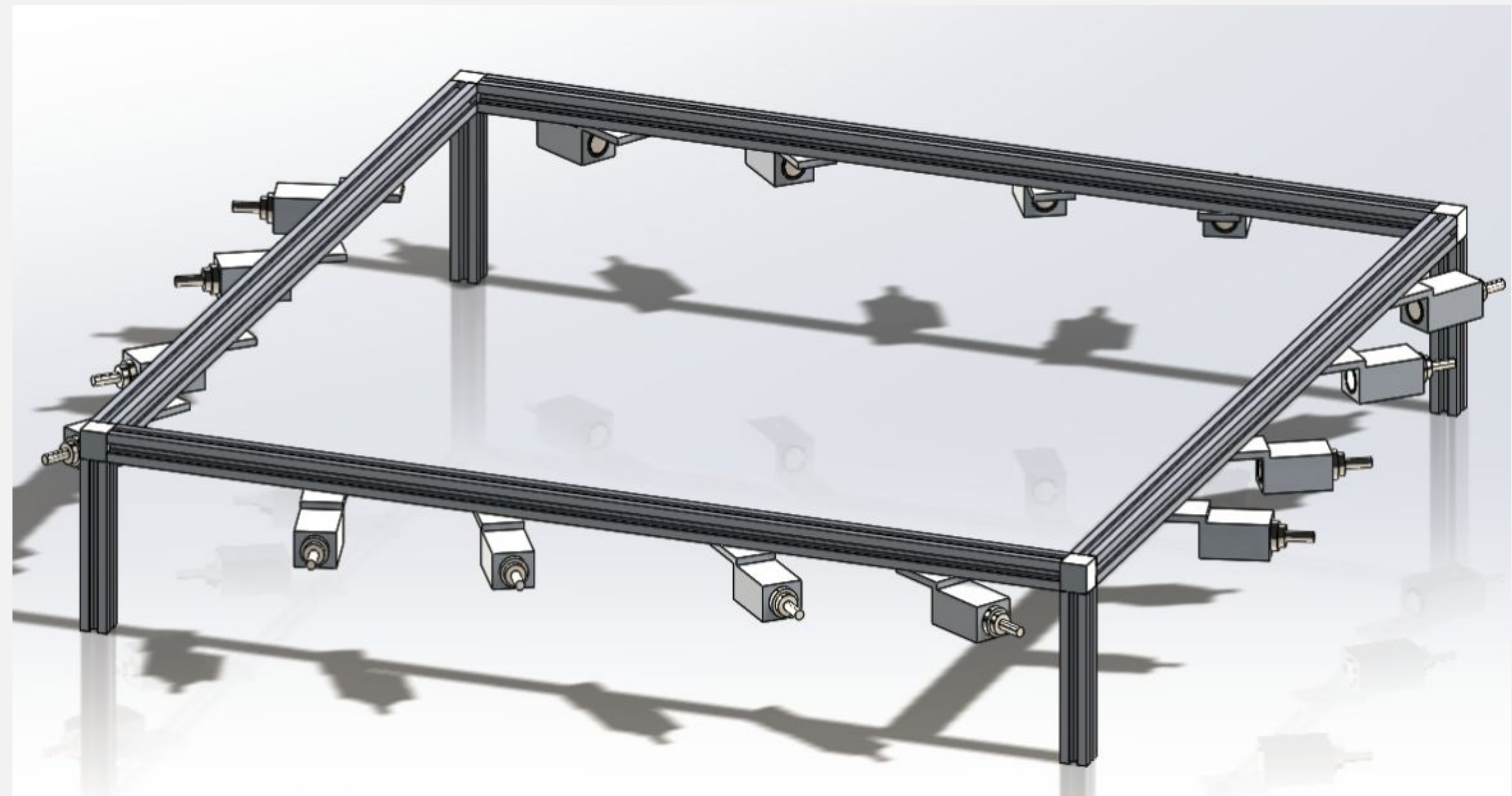
Configurations

- Increase the number of lines that cross
- Decrease size of the empty area



DESIGN IDEA #2

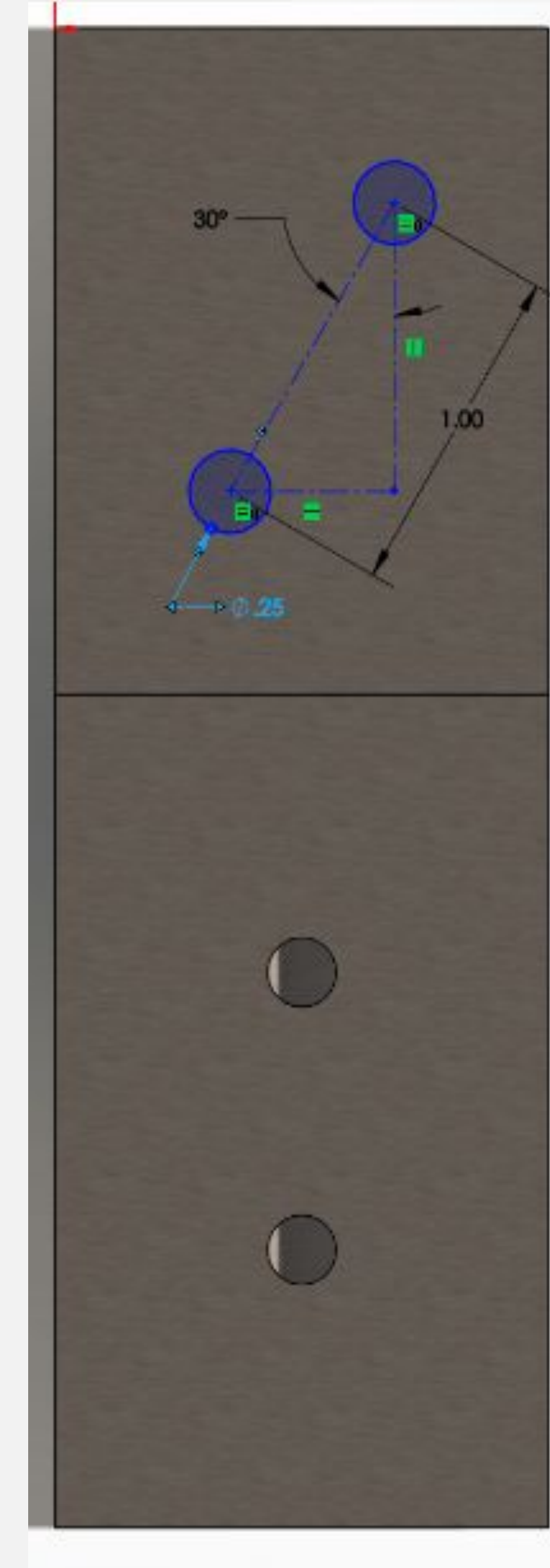
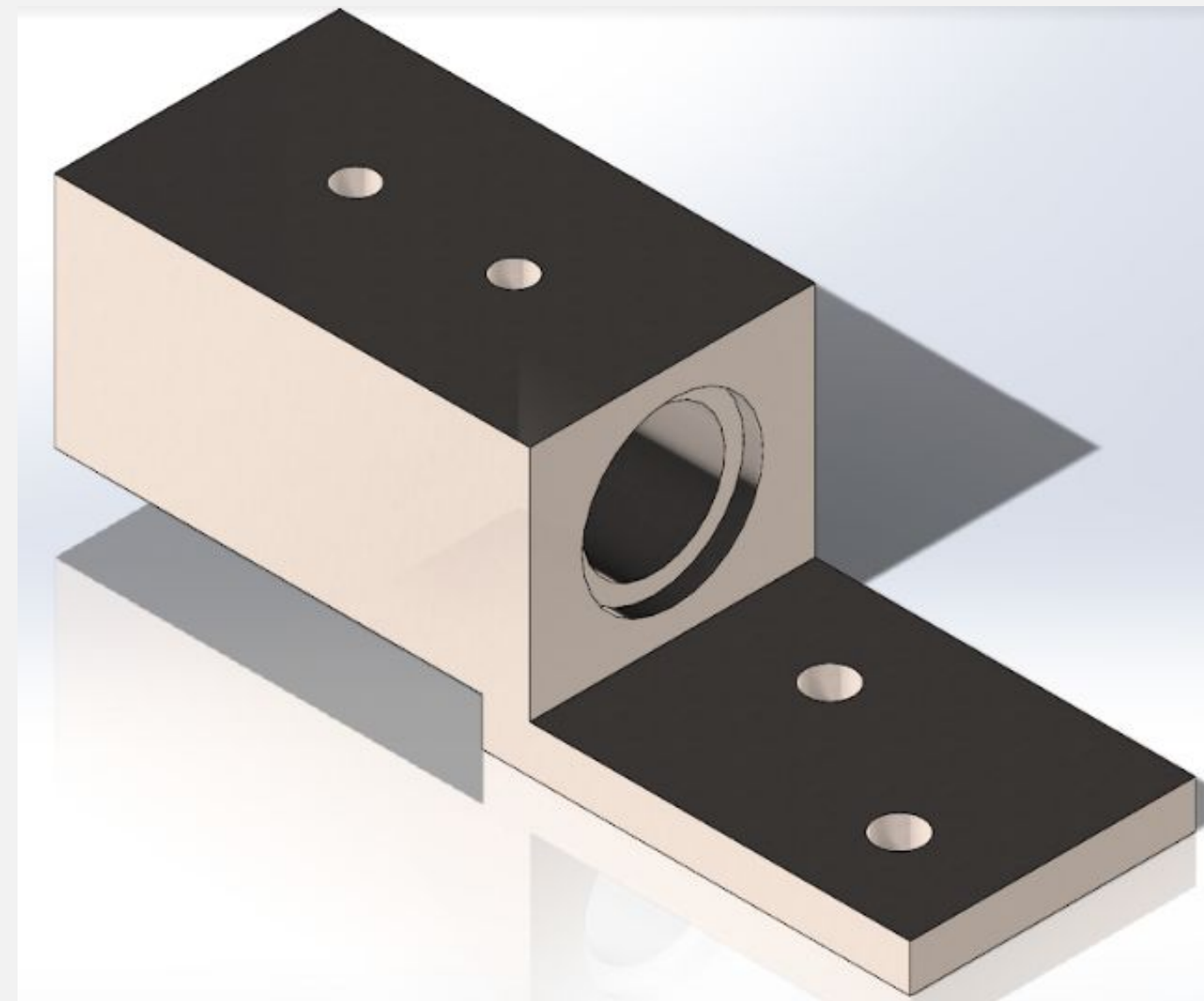
- Corner senders
- Directional Receivers
- Transducers on the bottom of the frame



Transducer Holder

Specifications

- Prevent transducer from moving once in place
- Capable of attaching to extruded aluminum frame
- Able to be set at precise angles
- Easy to machine

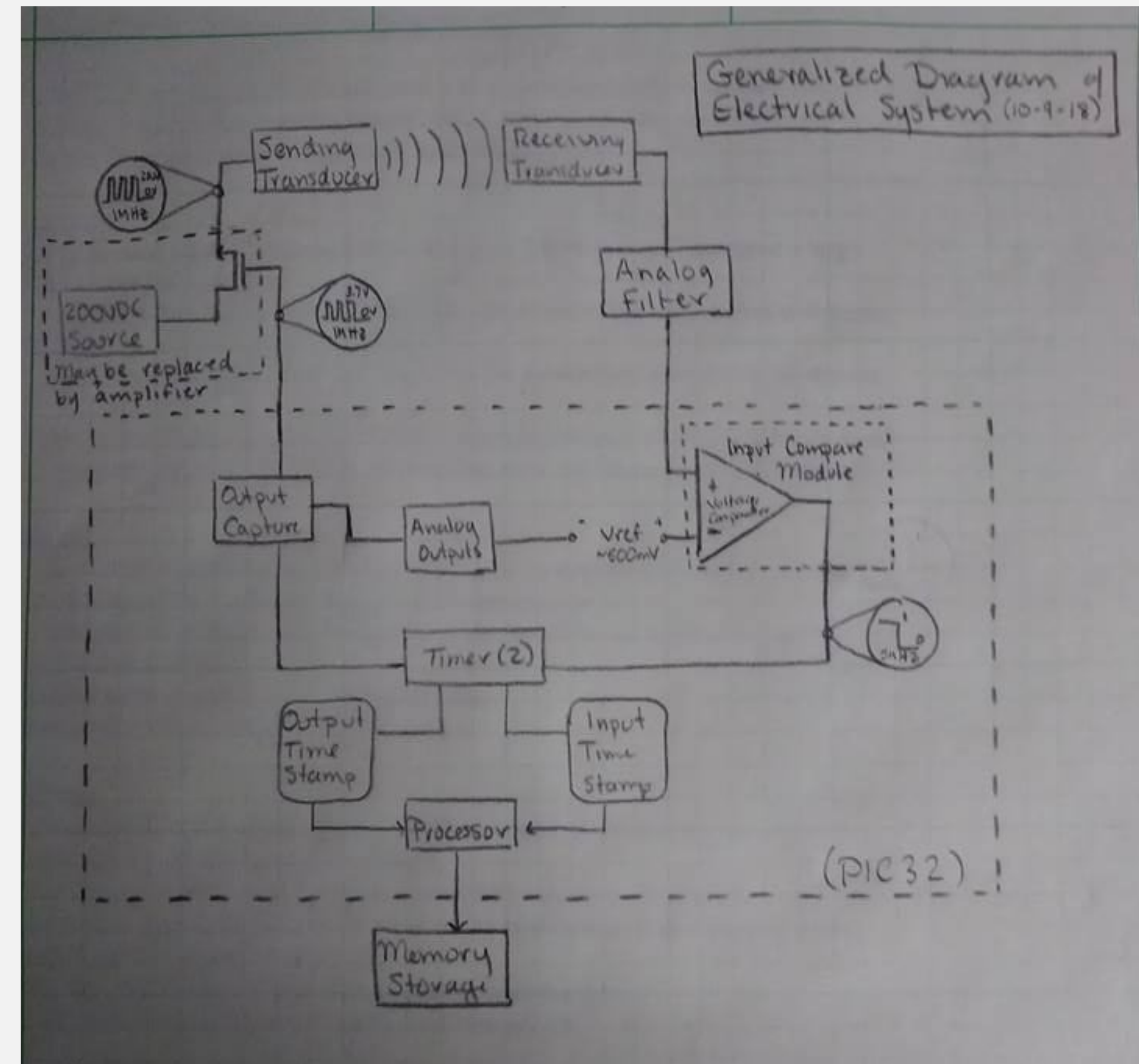


ELECTRICAL DESIGN FUNDAMENTALS

```

int main(void)
{
    while(1)
    {
        send_signals(send_transducer_set);
        hardware_delay(time_constant);
        receive_signals();
        process_data();
        store_data();
    }
}

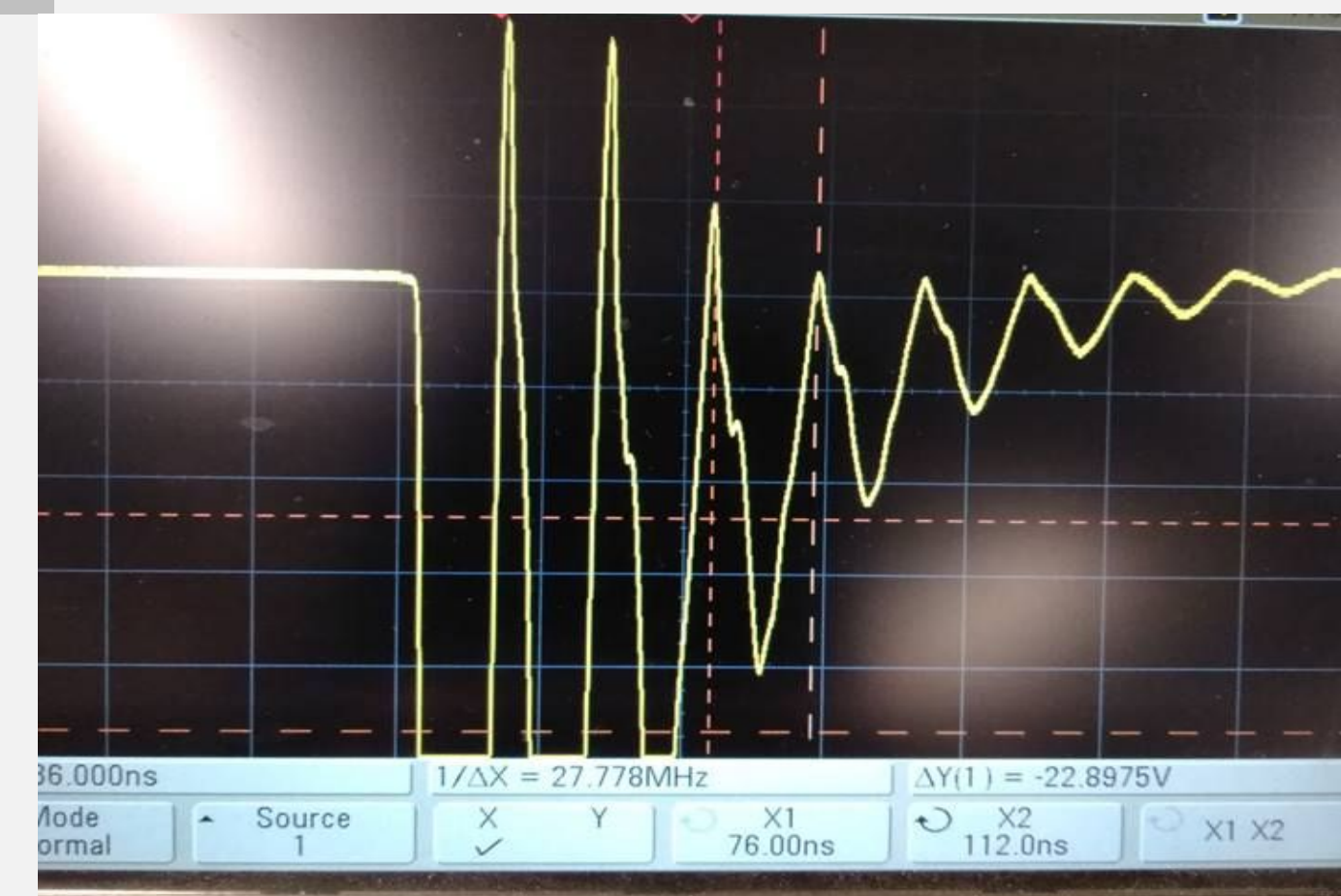
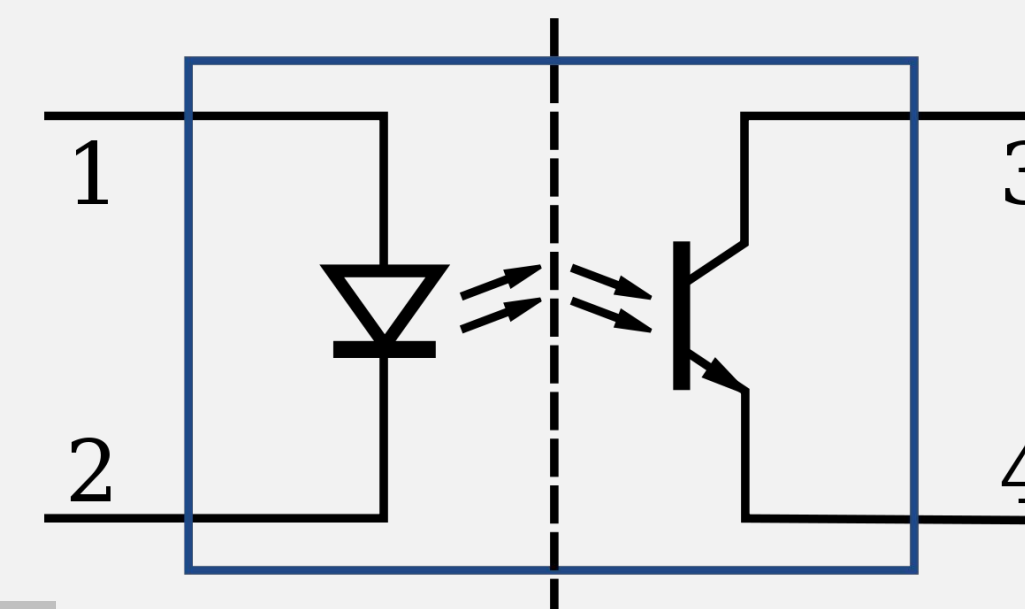
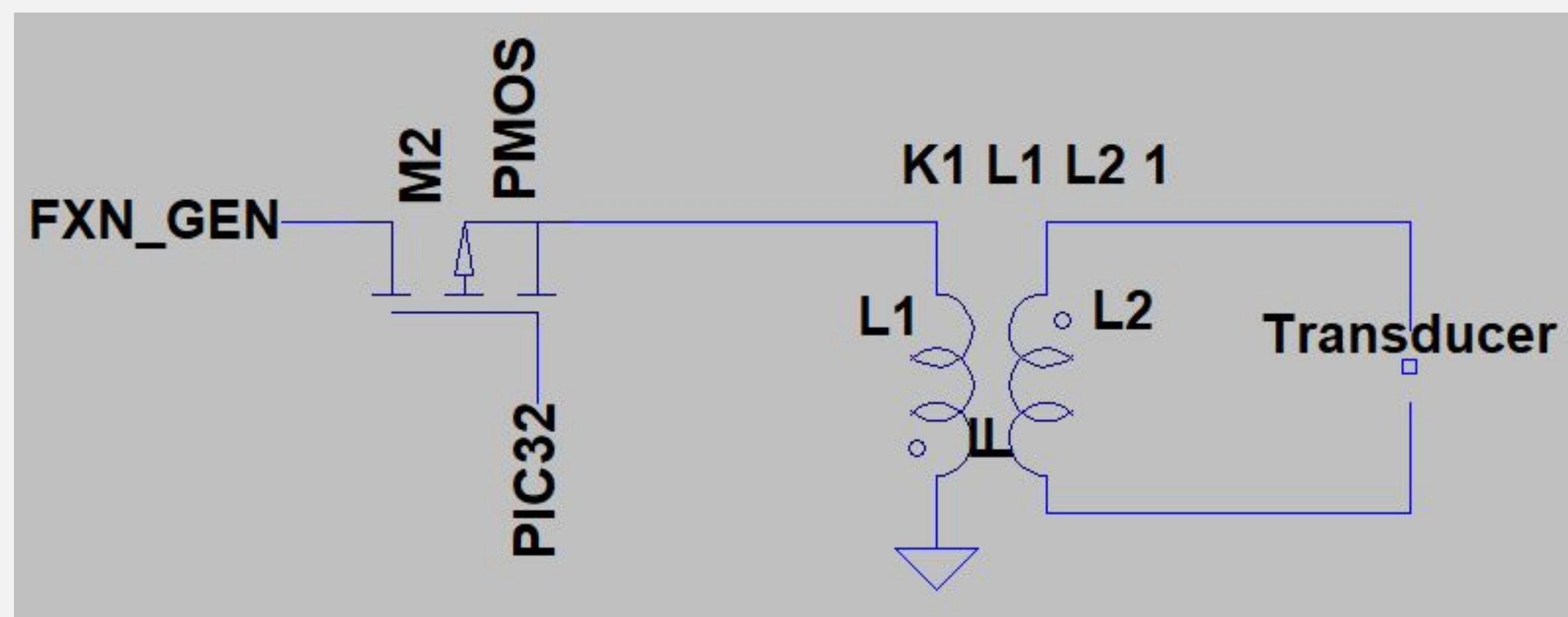
```



ELECTRICAL DESIGN OPTIONS

- Input Signal
 - Amplifier
 - Function Generator
 - DC Voltage Source

- Output Signal
 - Voltage Divider/Optoisolator
 - Amplifier/Filter



Potential Problems

- Signal Integrity
- Timing Resolution
- Reading several analog values using PIC32/having several PIC32s
- Clearance of transducer holder and sender.
- Propagation of Sound.



PROJECTED BUDGET

- \$7000 - \$8400 Transducers
- \$9000 Amplifier
- \$600-\$1000 Power Supply
- \$50 Circuit Components
- \$150 Frame
- \$50 Wiring for transducers
- Total: \$7850-\$17650