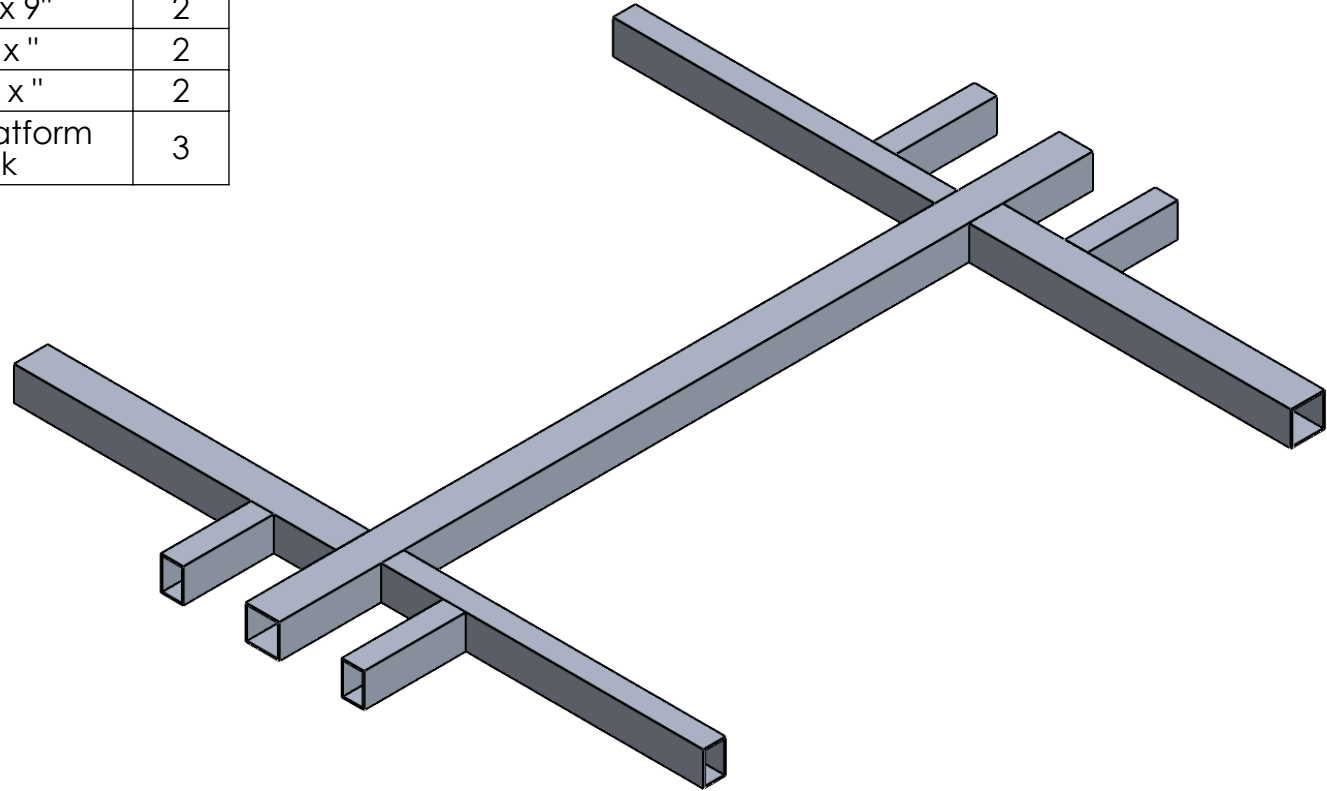
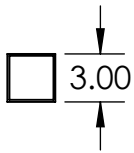
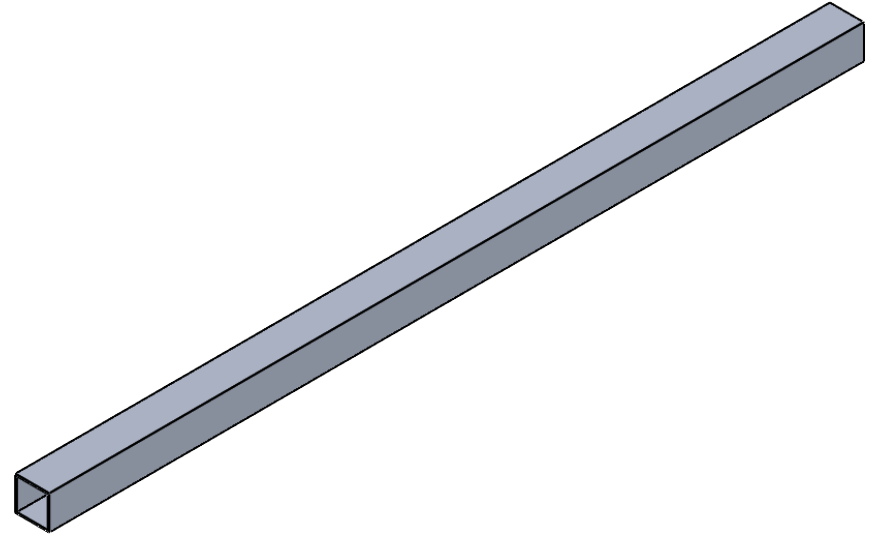
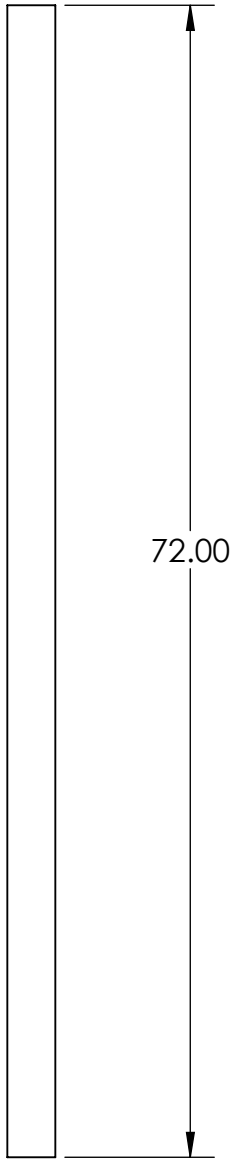


ITEM NO.	PART NUMBER	Description	QTY.
1	01-01	3" x 3" x 6'	1
2	01-02	Deck Plate	4
3	01-03	3" x 3" x 28.5"	2
4	01-04	2" x 3" x 28.5"	2
5	01-05	2" x 3" x 8"	2
6	01-06	2" x 3" x 9"	2
7	01-07	2" x 3" x "	2
8	01-08	2" x 3" x "	2
9	01-09	Wood Platform Deck	3



PROPRIETARY AND CONFIDENTIAL
 THE INFORMATION CONTAINED IN THIS DRAWING IS THE SOLE PROPERTY OF UNIVERSITY OF IDAHO, ME DEPARTMENT. ANY REPRODUCTION IN PART OR AS A WHOLE WITHOUT THE WRITTEN PERMISSION OF UNIVERSITY OF IDAHO, ME DEPARTMENT IS PROHIBITED.

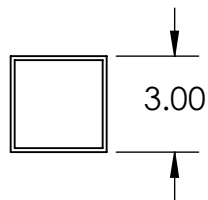
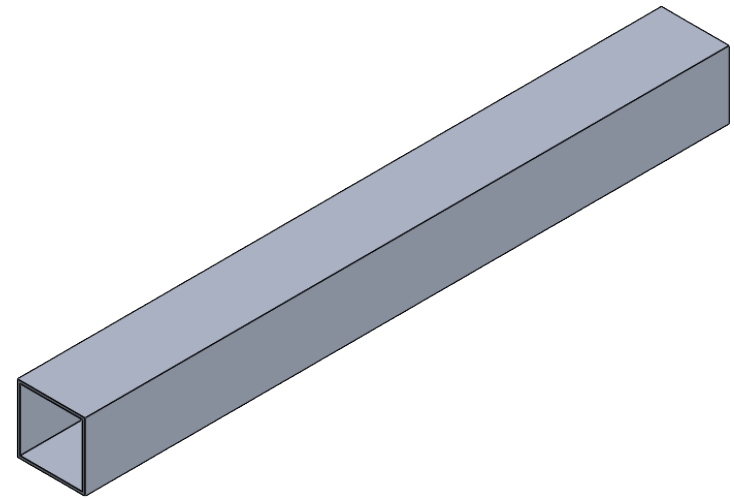
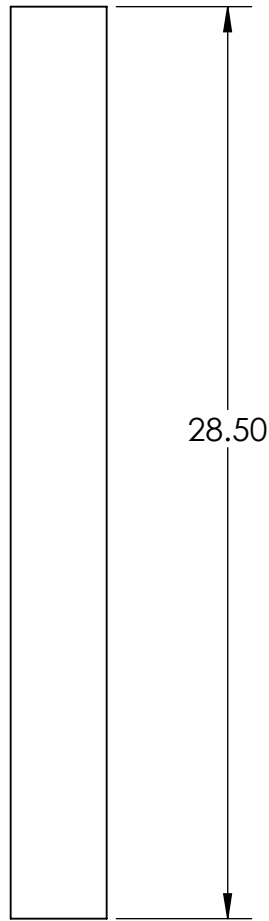
DIMENSIONS ARE IN INCHES		NA Material:		Bandmobile	
THIRD ANGLE PROJECTION		DESCRIPTION: PLATFORM BODY ASSEMBLY			
DEFAULT TOLERANCES:		CHECKED BY: Kaitlin Tabaracci		UNIVERSITY OF IDAHO ME DEPARTMENT	
LINEAR:	ANGULAR:	DRAWN BY: Kaitlin Tabaracci		Part #: 01-00	
X. ± .25	X. ± 2	DATE: 10/29/2020		QTY: 1	
X.X ± .1	X.X ± 1	DATE:		Scale: 1:12	
X.XX ± .01	X.XX ± 0.30'	FILE NAME: 01-00 Platform Assembly		SHEET 1 OF 1	
X.XXX ± .002					



Note: 3" Square Tube w/ 3/16" Wall Aluminum Stock

PROPRIETARY AND CONFIDENTIAL
 THE INFORMATION CONTAINED IN THIS DRAWING IS THE SOLE PROPERTY OF UNIVERSITY OF IDAHO, ME DEPARTMENT. ANY REPRODUCTION IN PART OR AS A WHOLE WITHOUT THE WRITTEN PERMISSION OF UNIVERSITY OF IDAHO, ME DEPARTMENT IS PROHIBITED.

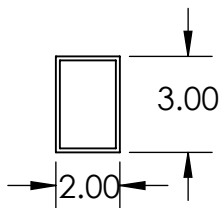
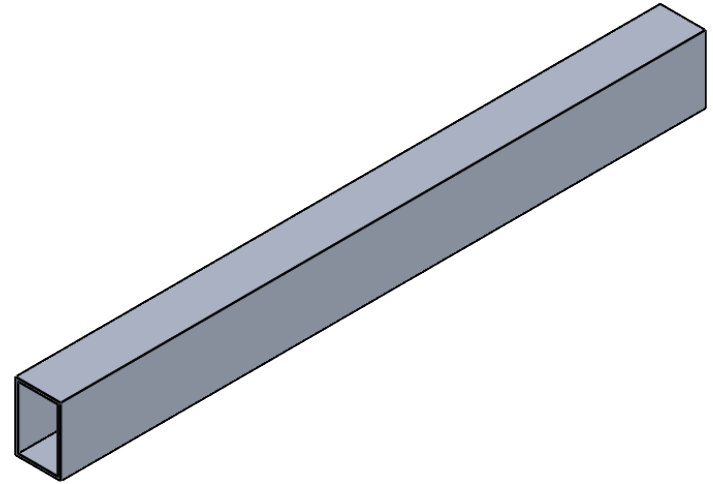
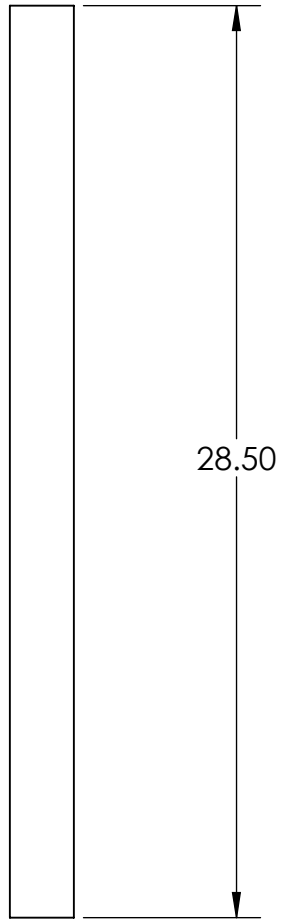
DIMENSIONS ARE IN INCHES		6061-T6		<i>Bandmobile</i>	
THIRD ANGLE PROJECTION		Material:			
DEFAULT TOLERANCES:		3" x 3" x 6'			
LINEAR:	ANGULAR:	DESCRIPTION:		UNIVERSITY OF IDAHO ME DEPARTMENT	
X. ± .25	X. ± 2	CHECKED BY:		DATE:	
X.X ± .1	X.X ± 1	Kaiflin Tabaracci		10/28/2020	
X.XX ± .01	X.XX ± 0.30'	DRAWN BY:		DATE:	
X.XXX ± .002		FILE NAME: 01-01		Part #: 01-01	
				QTY: 1	
				Scale: 1:12	
				SHEET 1 OF 1	



Note: 3" Square Tube w/ 3/16" Wall Aluminum Stock

PROPRIETARY AND CONFIDENTIAL
 THE INFORMATION CONTAINED IN THIS DRAWING IS THE SOLE PROPERTY OF UNIVERSITY OF IDAHO, ME DEPARTMENT. ANY REPRODUCTION IN PART OR AS A WHOLE WITHOUT THE WRITTEN PERMISSION OF UNIVERSITY OF IDAHO, ME DEPARTMENT IS PROHIBITED.

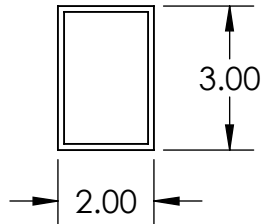
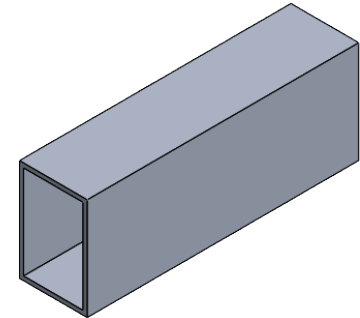
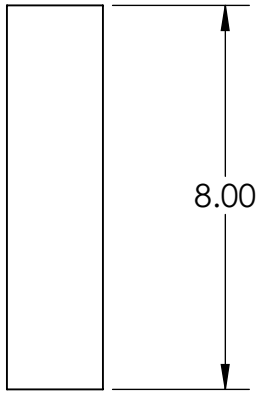
DIMENSIONS ARE IN INCHES		6061-T6		<i>Bandmobile</i>	
THIRD ANGLE PROJECTION		Material:			
DEFAULT TOLERANCES:		3" x 3" x 28.5"		UNIVERSITY OF IDAHO ME DEPARTMENT	
LINEAR:	ANGULAR:	DESCRIPTION:	CHECKED BY:	DATE:	Part #: 01-03
X. ± .25	X. ± 2	3" x 3" x 28.5"	Kaiflin Tabaracci	10/28/2020	
X.X ± .1	X.X ± 1			DATE:	
X.XX ± .01	X.XX ± 0.30				
X.XXX ± .002		FILE NAME:	01-03	Scale: 1:6	QTY:2
					SHEET 1 OF 1



Note: 2" x 3" Rectangular Tube w/ 3/16" Wall Aluminum Stock

PROPRIETARY AND CONFIDENTIAL
 THE INFORMATION CONTAINED IN THIS DRAWING IS THE SOLE PROPERTY OF UNIVERSITY OF IDAHO, ME DEPARTMENT. ANY REPRODUCTION IN PART OR AS A WHOLE WITHOUT THE WRITTEN PERMISSION OF UNIVERSITY OF IDAHO, ME DEPARTMENT IS PROHIBITED.

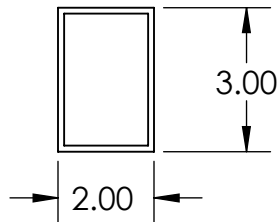
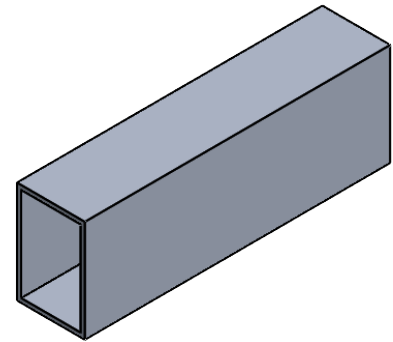
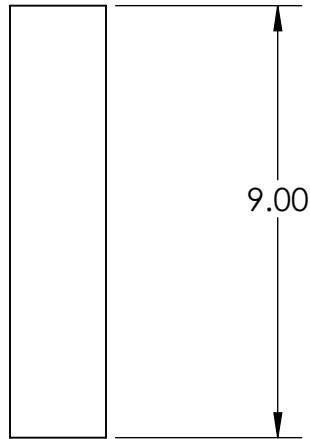
DIMENSIONS ARE IN INCHES		6061-T6		<i>Bandmobile</i>	
THIRD ANGLE PROJECTION		Material:			
DEFAULT TOLERANCES:		2" x 3" x 28.5"		UNIVERSITY OF IDAHO ME DEPARTMENT	
LINEAR:	ANGULAR:	DESCRIPTION:	CHECKED BY:	DATE:	Part #: 01-04
X. ± .25	X. ± 2	2" x 3" x 28.5"	Kaiflin Tabaracci	10/28/2020	
X.X ± .1	X.X ± 1			DATE:	
X.XX ± .01	X.XX ± 0.30'				
X.XXX ± .002		FILE NAME:	01-04	Scale: 1:6	QTY:2
					SHEET 1 OF 1



Note: 2" x 3" Rectangular Tube w/ 3/16" Wall Aluminum Stock

PROPRIETARY AND CONFIDENTIAL
 THE INFORMATION CONTAINED IN THIS DRAWING IS THE SOLE PROPERTY OF UNIVERSITY OF IDAHO, ME DEPARTMENT. ANY REPRODUCTION IN PART OR AS A WHOLE WITHOUT THE WRITTEN PERMISSION OF UNIVERSITY OF IDAHO, ME DEPARTMENT IS PROHIBITED.

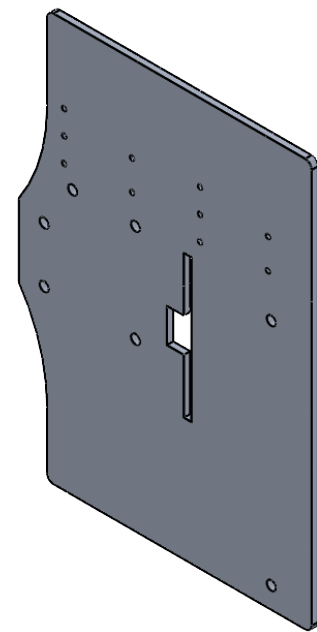
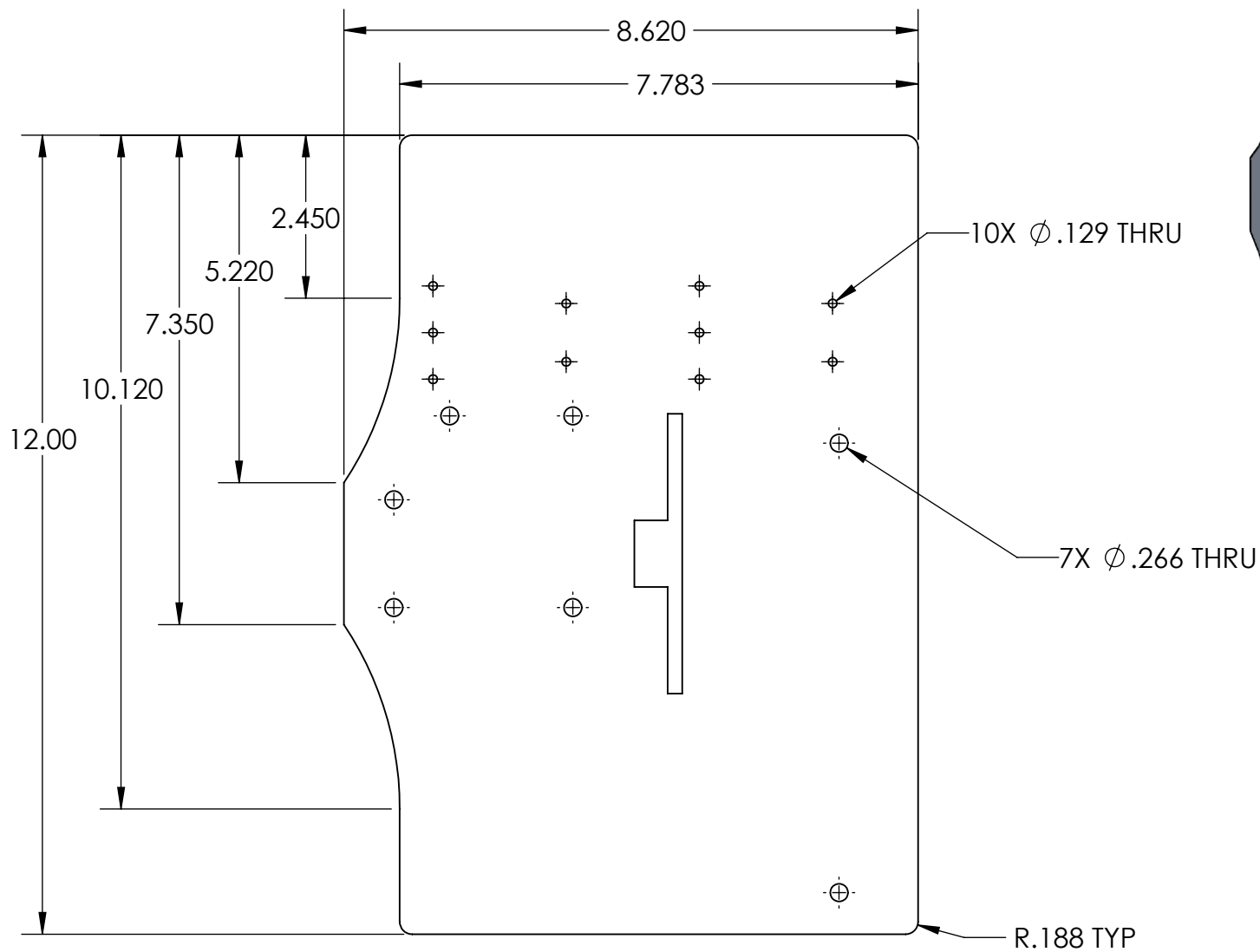
DIMENSIONS ARE IN INCHES		6061-T6		Bandmobile	
THIRD ANGLE PROJECTION		Material:			
DEFAULT TOLERANCES:		2" x 3" x 8"		UNIVERSITY OF IDAHO ME DEPARTMENT	
LINEAR:	ANGULAR:	DESCRIPTION:			
X. ± .25	X. ± 2	CHECKED BY:	DATE:	Part #: 01-05	
X.X ± .1	X.X ± 1	KAIFLIN Tabaracci	10/28/2020		
X.XX ± .01	X.XX ± 0.30'	DRAWN BY:	DATE:	QTY:2	
X.XXX ± .002					
		FILE NAME: 01-05		Scale: 1:4	
				SHEET 1 OF 1	



Note: 2" x 3" Rectangular Tube w/ 3/16" Wall Aluminum Stock

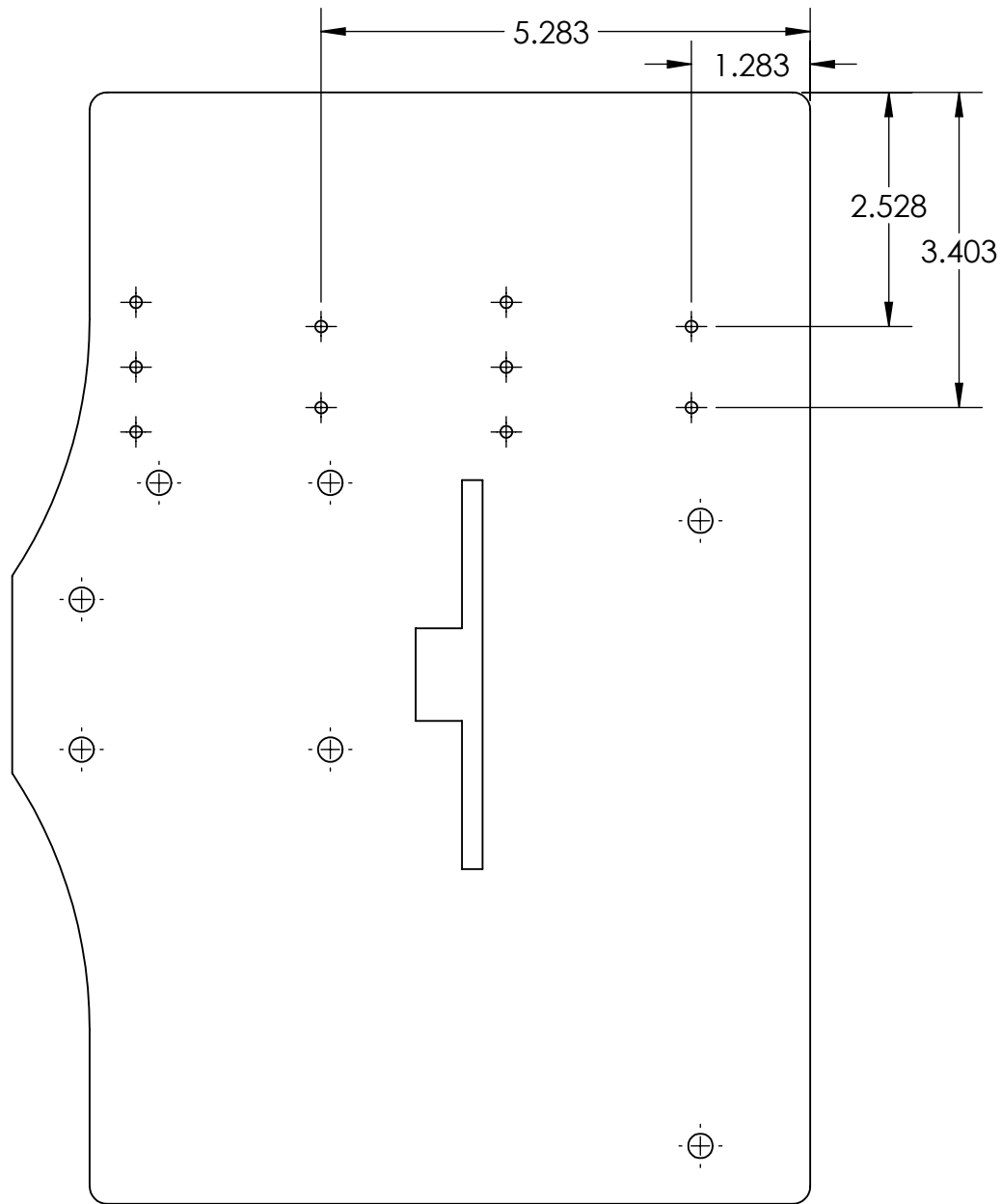
PROPRIETARY AND CONFIDENTIAL
 THE INFORMATION CONTAINED IN THIS DRAWING IS THE SOLE PROPERTY OF UNIVERSITY OF IDAHO, ME DEPARTMENT. ANY REPRODUCTION IN PART OR AS A WHOLE WITHOUT THE WRITTEN PERMISSION OF UNIVERSITY OF IDAHO, ME DEPARTMENT IS PROHIBITED.

DIMENSIONS ARE IN INCHES		6061-T6		<i>Bandmobile</i>	
THIRD ANGLE PROJECTION		Material:			
DEFAULT TOLERANCES:		2" x 3" x 9"		UNIVERSITY OF IDAHO ME DEPARTMENT	
LINEAR:	ANGULAR:	DESCRIPTION:	DATE:	Part #:	QTY:
X. ± .25	X. ± 2		10/28/2020	01-06	2
X.X ± .1	X.X ± 1	CHECKED BY:	DATE:	Scale:	SHEET 1 OF 1
X.XX ± .01	X.XX ± 0.30'	DRAWN BY:		1:4	
X.XXX ± .002		FILE NAME:	01-06		

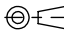


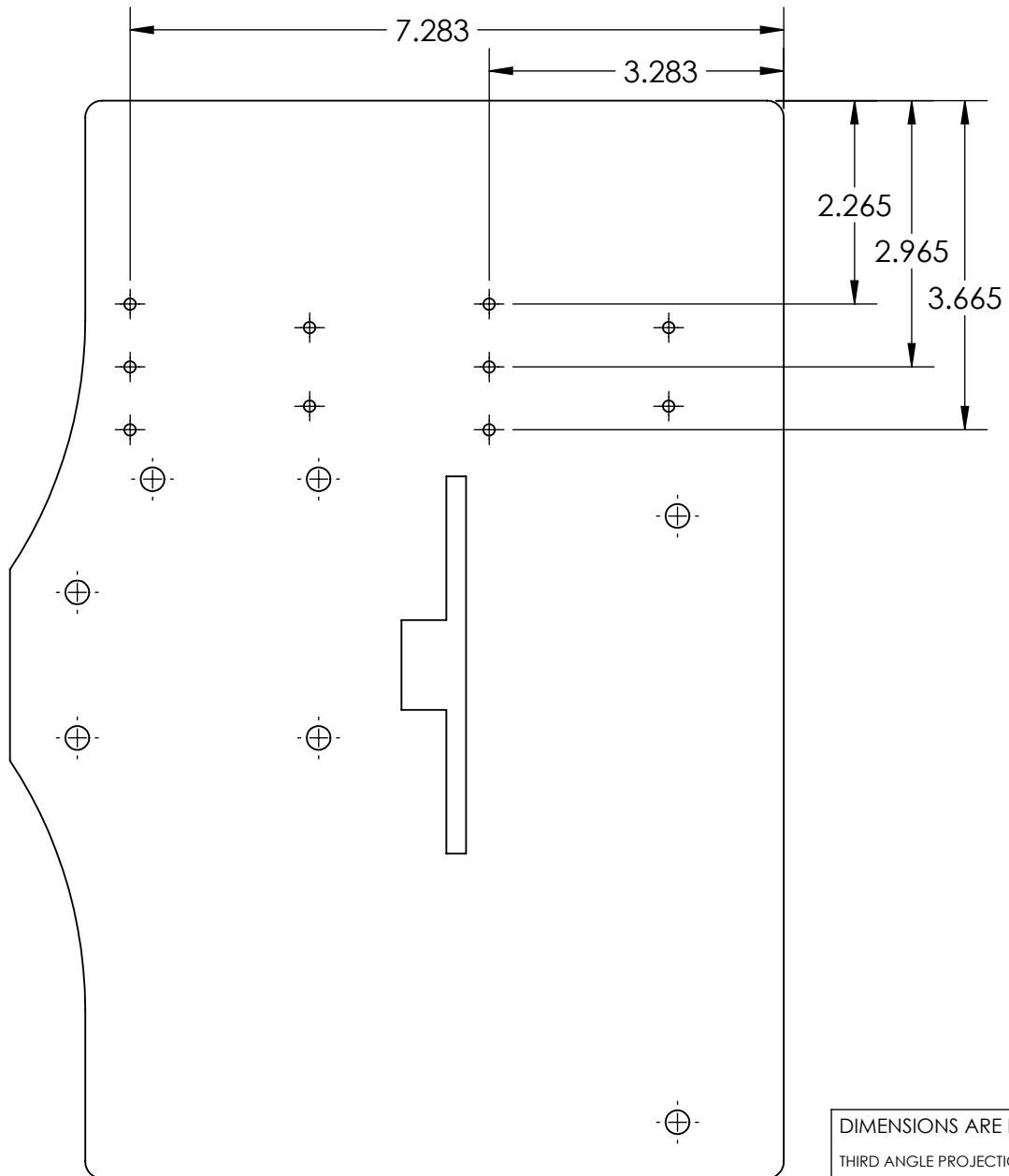
PROPRIETARY AND CONFIDENTIAL
 THE INFORMATION CONTAINED IN THIS DRAWING IS THE SOLE PROPERTY OF UNIVERSITY OF IDAHO, ME DEPARTMENT. ANY REPRODUCTION IN PART OR AS A WHOLE WITHOUT THE WRITTEN PERMISSION OF UNIVERSITY OF IDAHO, ME DEPARTMENT IS PROHIBITED.

DIMENSIONS ARE IN INCHES		6061-T6		Bandmobile	
THIRD ANGLE PROJECTION		Material:			
DEFAULT TOLERANCES:		Gusset for Large Bearing Block			
LINEAR:	ANGULAR:	DESCRIPTION:		UNIVERSITY OF IDAHO ME DEPARTMENT	
X. ± .25	X. ± 2	CHECKED BY:	DATE:	Part #: 01-10	
X.X ± .1	X.X ± 1	Kaiflin Tabaracci		QTY: 4	
X.XX ± .01	X.XX ± 0.30	DRAWN BY:	11/4/2020	Scale: 1:2.5	
X.XXX ± .002		FILE NAME:	01-10 Gusset- 9 x 12	SHEET 1 OF 5	



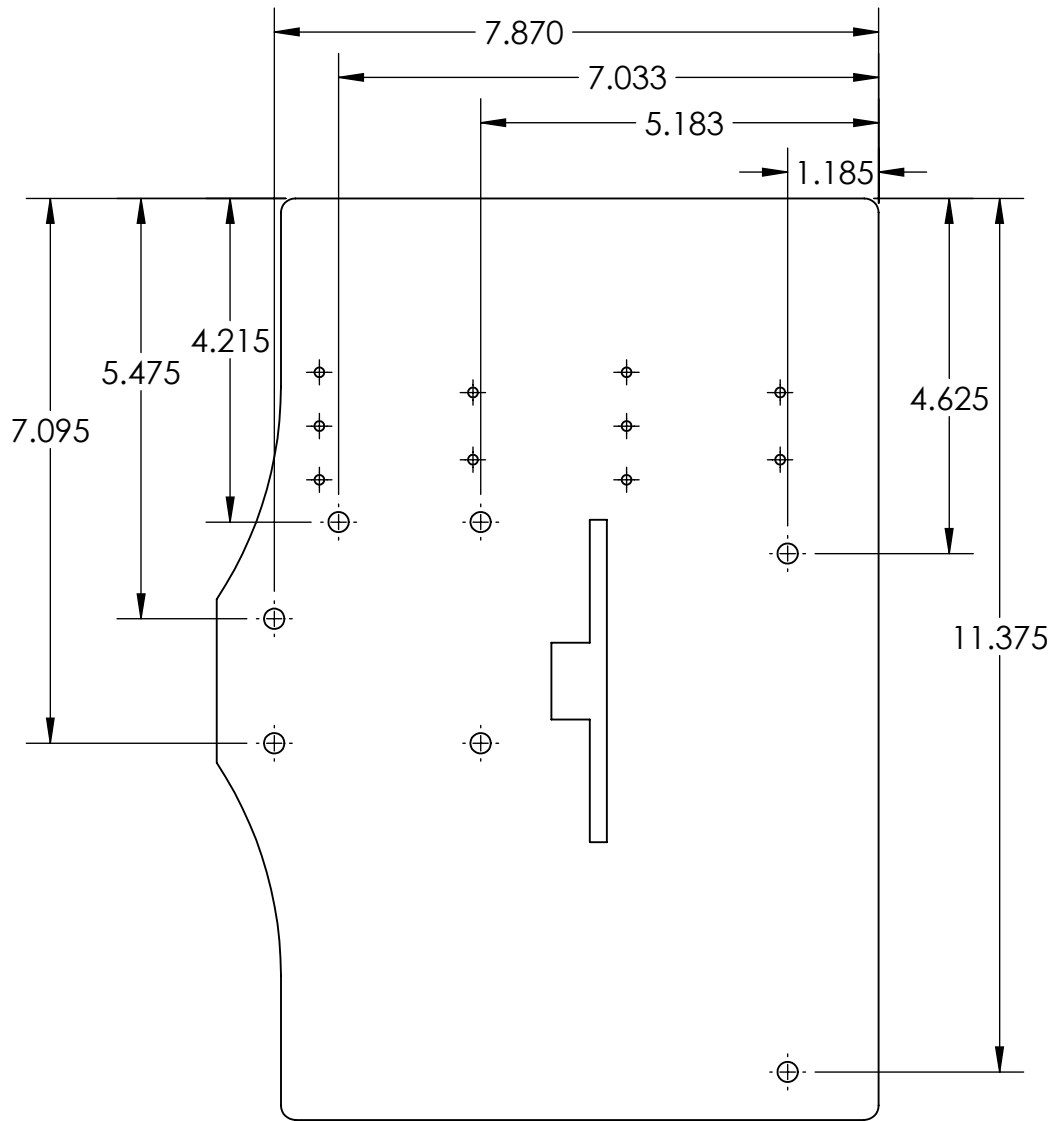
PROPRIETARY AND CONFIDENTIAL
 THE INFORMATION CONTAINED IN THIS DRAWING IS THE SOLE PROPERTY OF UNIVERSITY OF IDAHO, ME DEPARTMENT. ANY REPRODUCTION IN PART OR AS A WHOLE WITHOUT THE WRITTEN PERMISSION OF UNIVERSITY OF IDAHO, ME DEPARTMENT IS PROHIBITED.

DIMENSIONS ARE IN INCHES		6061-T6		<i>Bandmobile</i>	
THIRD ANGLE PROJECTION 		Material:			
DEFAULT TOLERANCES:		Gusset for Large Bearing Block			
LINEAR:	ANGULAR:	DESCRIPTION:		UNIVERSITY OF IDAHO ME DEPARTMENT	
X. ± .25	X. ± 2	CHECKED BY:		Part #: 01-10	
X.X ± .1	X.X ± 1	DRAWN BY:		QTY: 4	
X.XX ± .01	X.XX ± 0.30	DATE:		Scale: 1:2	
X.XXX ± .002		FILE NAME: 01-10 Gusset- 9 x 12		SHEET 2 OF 5	



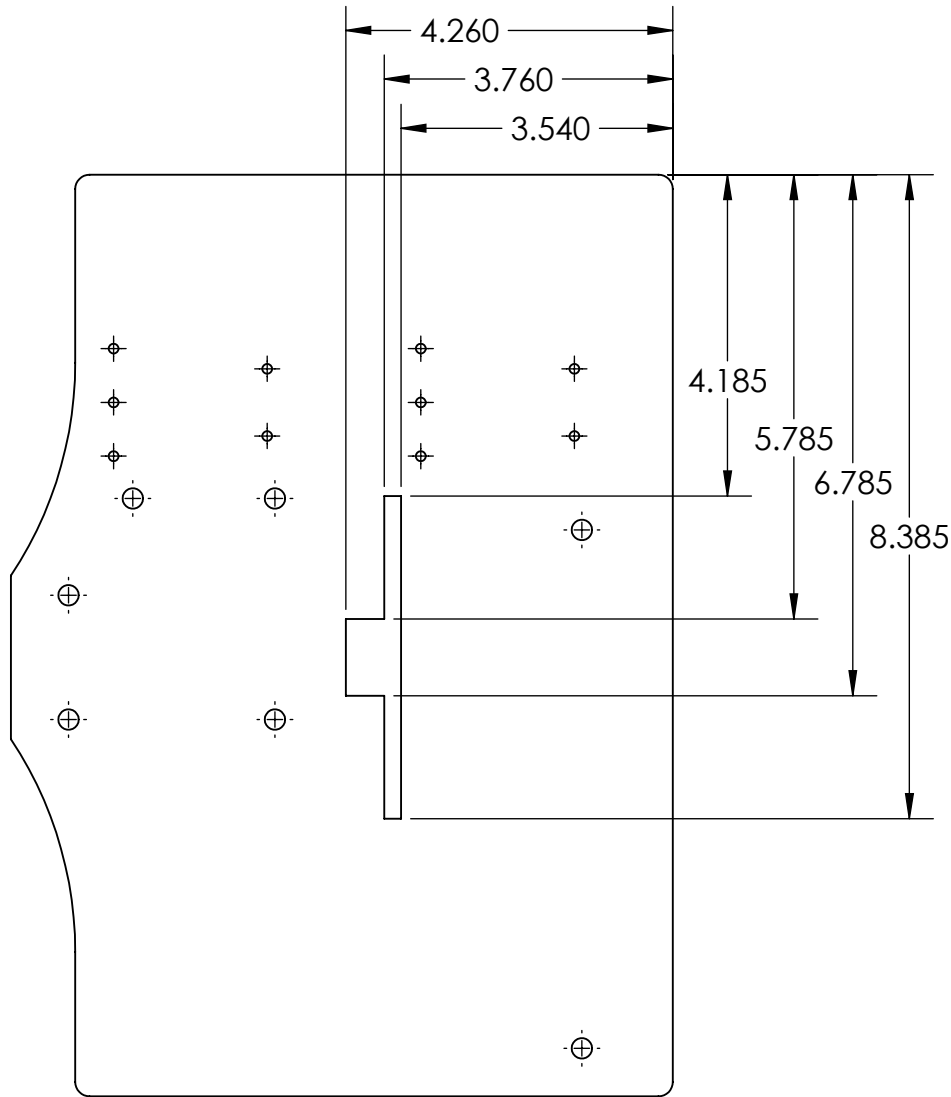
PROPRIETARY AND CONFIDENTIAL
 THE INFORMATION CONTAINED IN THIS DRAWING IS THE SOLE PROPERTY OF UNIVERSITY OF IDAHO, ME DEPARTMENT. ANY REPRODUCTION IN PART OR AS A WHOLE WITHOUT THE WRITTEN PERMISSION OF UNIVERSITY OF IDAHO, ME DEPARTMENT IS PROHIBITED.

DIMENSIONS ARE IN INCHES		6061-T6		<i>Bandmobile</i>	
THIRD ANGLE PROJECTION		Material:			
DEFAULT TOLERANCES:		Gusset for Large Bearing Block			
LINEAR:	ANGULAR:	DESCRIPTION:		UNIVERSITY OF IDAHO ME DEPARTMENT	
X. ± .25	X. ± 2	CHECKED BY:	DATE:	Part #: 01-10	
X.X ± .1	X.X ± 1	Kaiflin Tabaracci		QTY: 4	
X.XX ± .01	X.XX ± 0.30	DRAWN BY:	DATE:	Scale: 1:2	
X.XXX ± .002		FILE NAME: 01-10 Gusset- 9 x 12		SHEET 3 OF 5	



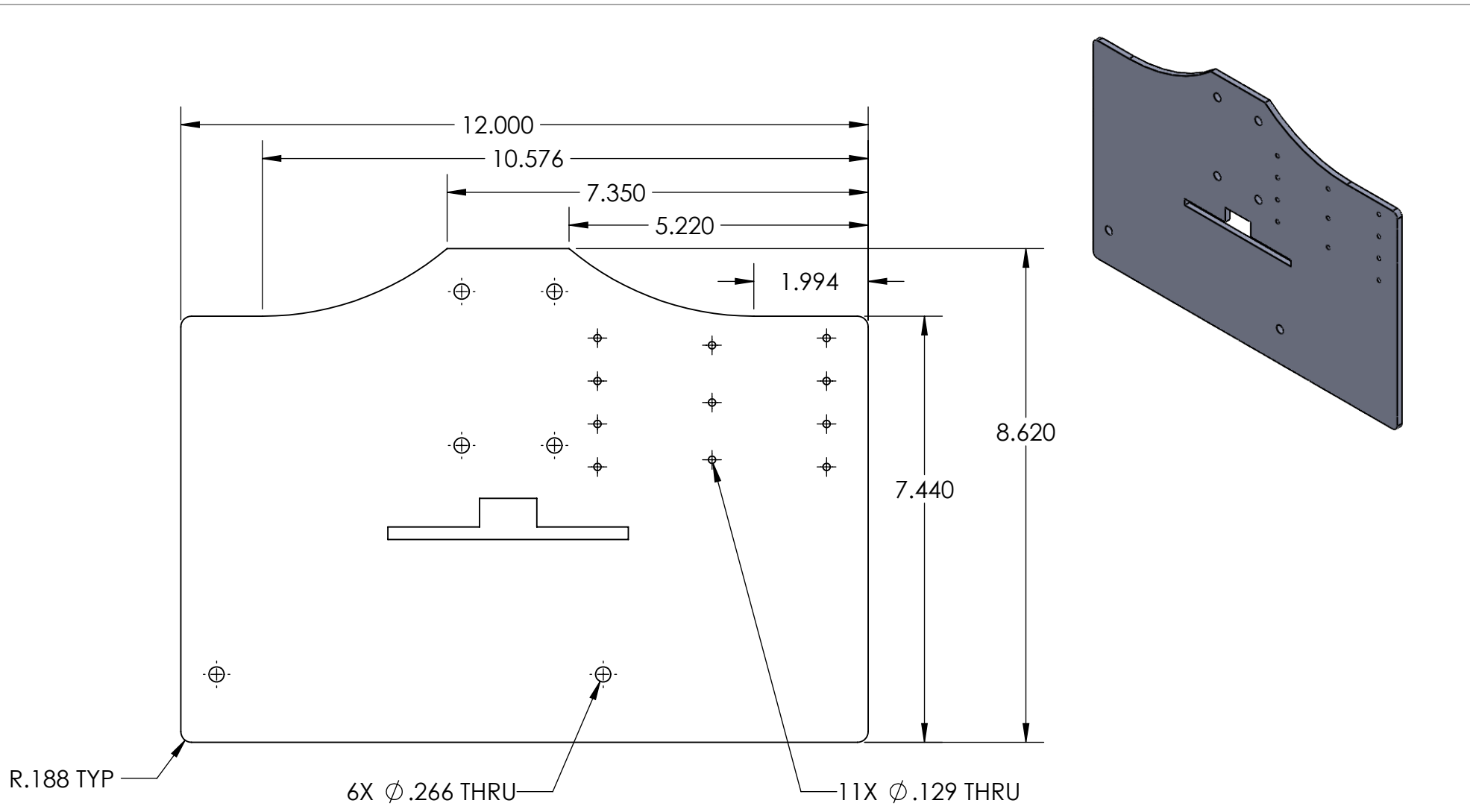
PROPRIETARY AND CONFIDENTIAL
 THE INFORMATION CONTAINED IN THIS DRAWING IS THE SOLE PROPERTY OF UNIVERSITY OF IDAHO, ME DEPARTMENT. ANY REPRODUCTION IN PART OR AS A WHOLE WITHOUT THE WRITTEN PERMISSION OF UNIVERSITY OF IDAHO, ME DEPARTMENT IS PROHIBITED.

DIMENSIONS ARE IN INCHES		6061-T6		<i>Bandmobile</i>	
THIRD ANGLE PROJECTION		Material:			
DEFAULT TOLERANCES:		Gusset for Large Bearing Block			
LINEAR:	ANGULAR:	DESCRIPTION:		UNIVERSITY OF IDAHO ME DEPARTMENT	
X. ± .25	X. ± 2	CHECKED BY:		Part #: 01-10	
X.X ± .1	X.X ± 1	DRAWN BY:		QTY: 4	
X.XX ± .01	X.XX ± 0.30	DATE:		Scale: 1:2.5	
X.XXX ± .002		DATE:		SHEET 4 OF 5	
		FILE NAME: 01-10 Gusset- 9 x 12			



PROPRIETARY AND CONFIDENTIAL
 THE INFORMATION CONTAINED IN THIS DRAWING IS THE SOLE PROPERTY OF UNIVERSITY OF IDAHO, ME DEPARTMENT. ANY REPRODUCTION IN PART OR AS A WHOLE WITHOUT THE WRITTEN PERMISSION OF UNIVERSITY OF IDAHO, ME DEPARTMENT IS PROHIBITED.

DIMENSIONS ARE IN INCHES		6061-T6		Bandmobile	
THIRD ANGLE PROJECTION		Material:			
DEFAULT TOLERANCES:		Gusset for Large Bearing Block			
LINEAR:	ANGULAR:	DESCRIPTION:		UNIVERSITY OF IDAHO ME DEPARTMENT	
X. ± .25	X. ± 2	CHECKED BY:	DATE:	Part #: 01-10	
X.X ± .1	X.X ± 1	Kaiflin Tabaracci		QTY: 4	
X.XX ± .01	X.XX ± 0.30	DRAWN BY:	DATE:	Scale: 1:2.5	
X.XXX ± .002		FILE NAME: 01-10 Gusset- 9 x 12		SHEET 5 OF 5	



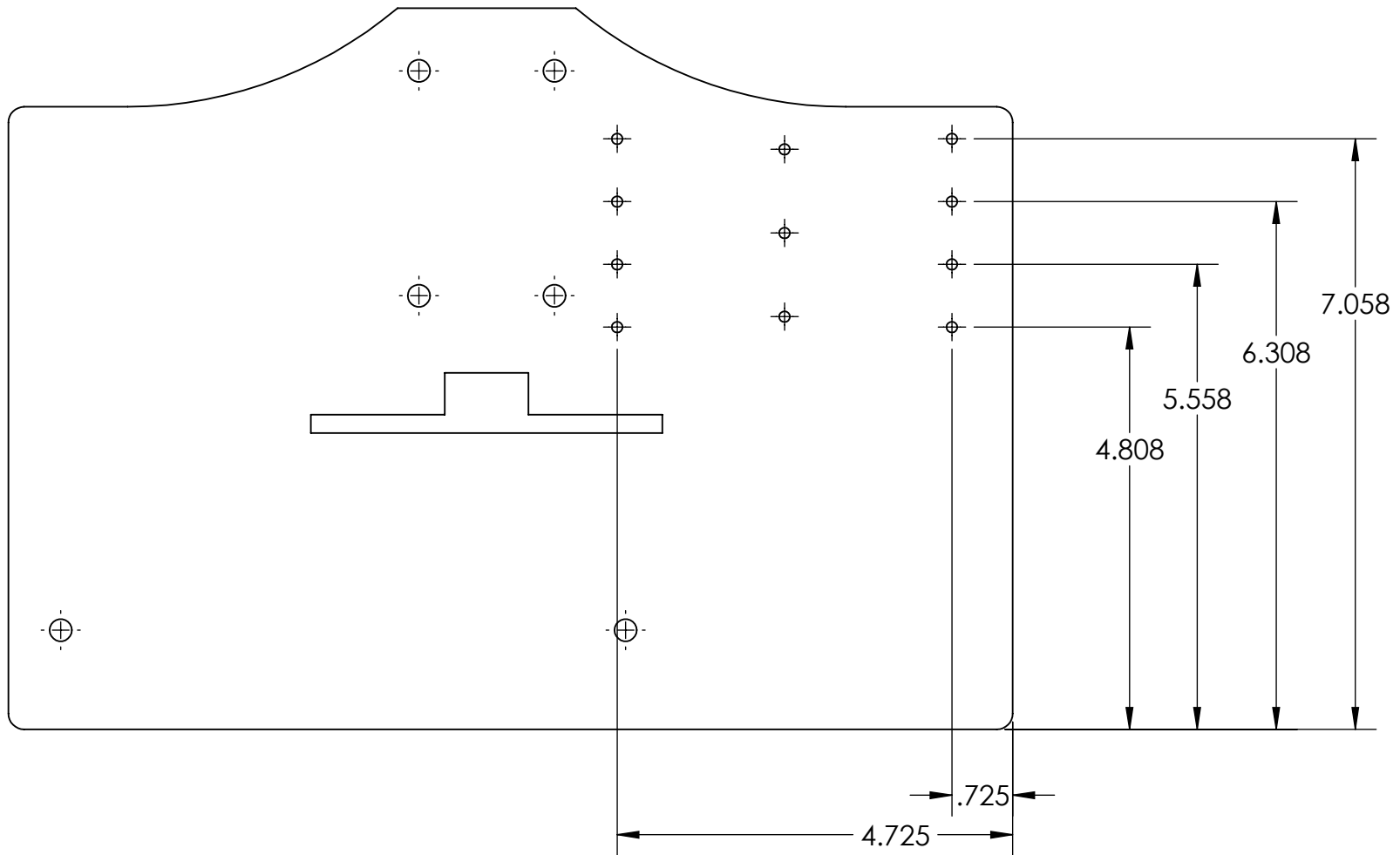
R.188 TYP

6X ϕ .266 THRU

11X ϕ .129 THRU

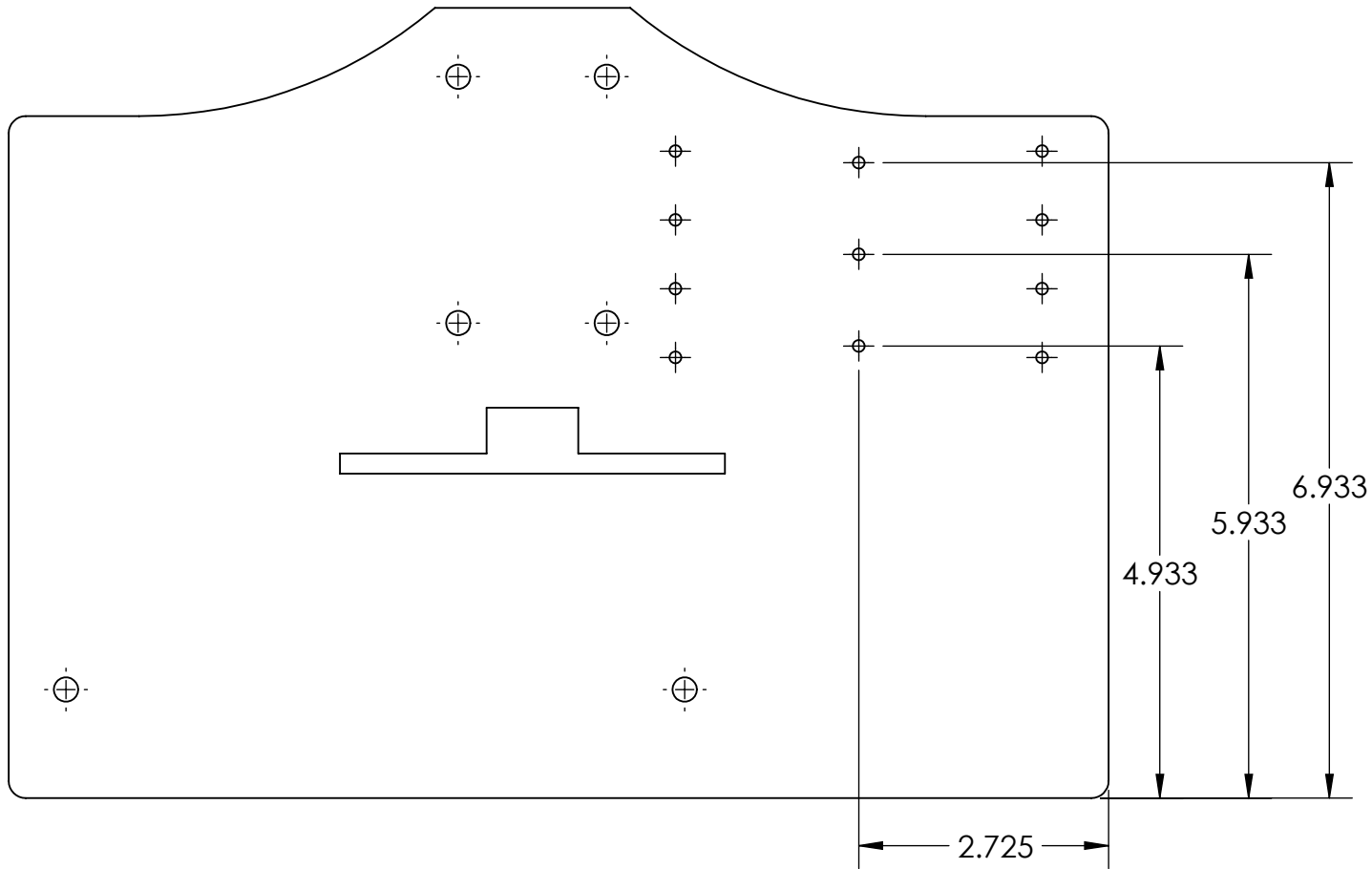
PROPRIETARY AND CONFIDENTIAL
 THE INFORMATION CONTAINED IN THIS DRAWING IS THE SOLE PROPERTY OF UNIVERSITY OF IDAHO, ME DEPARTMENT. ANY REPRODUCTION IN PART OR AS A WHOLE WITHOUT THE WRITTEN PERMISSION OF UNIVERSITY OF IDAHO, ME DEPARTMENT IS PROHIBITED.

DIMENSIONS ARE IN INCHES		6061-T6		Bandmobile	
THIRD ANGLE PROJECTION		Material:			
DEFAULT TOLERANCES:		Gusset for Small Bearing Block			
LINEAR:	ANGULAR:	DESCRIPTION:	CHECKED BY:	DATE:	UNIVERSITY OF IDAHO ME DEPARTMENT
X. ± .25	X. ± 2		Kaiflin Tabaracci	11/4/2020	
X.X ± .1	X.X ± 1		DRAWN BY:	DATE:	Part #: 01-12
X.XX ± .01	X.XX ± 0.30				QTY: 4
X.XXX ± .002			FILE NAME: 01-12		Scale: 1:2.5
					SHEET 1 OF 5



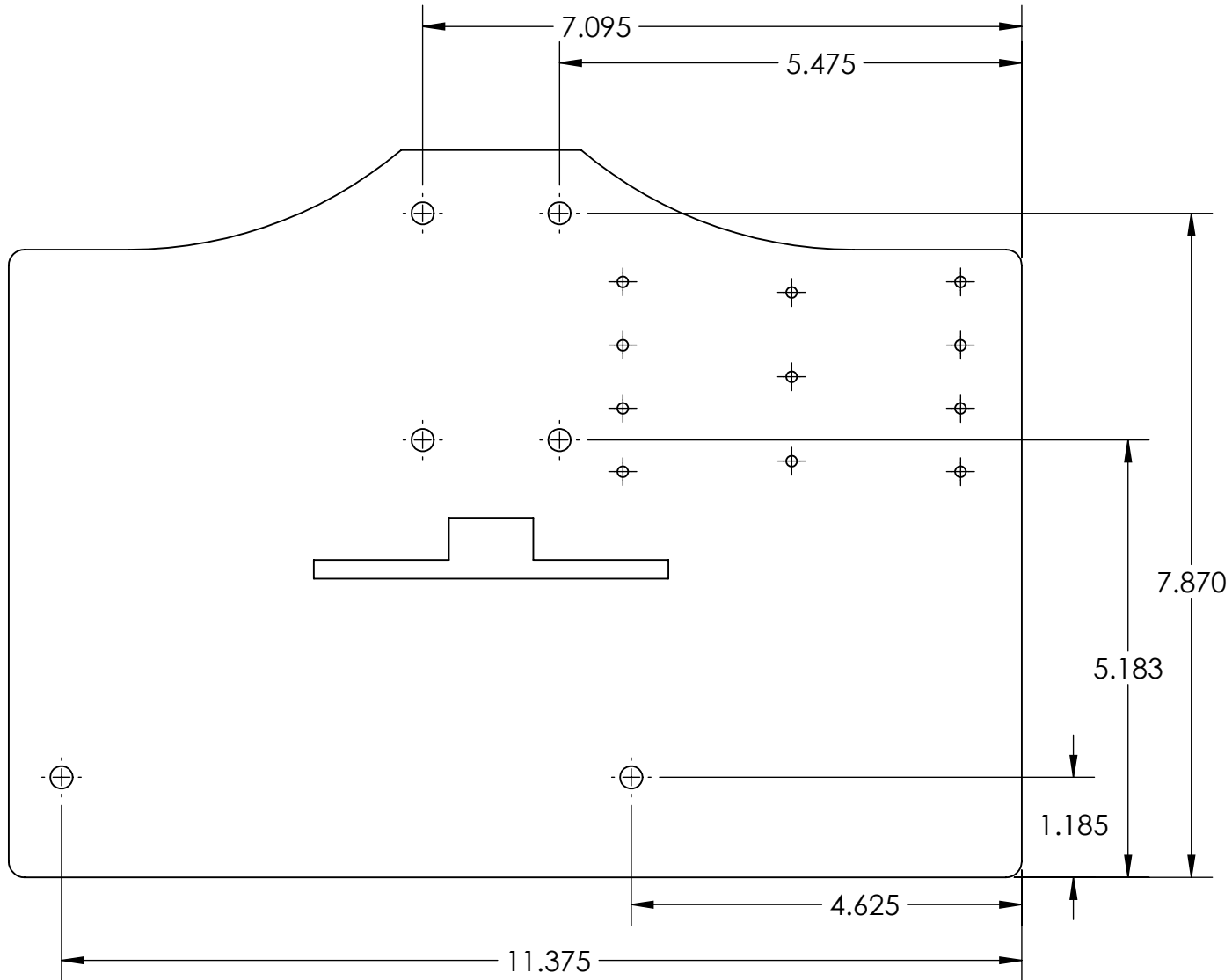
PROPRIETARY AND CONFIDENTIAL
 THE INFORMATION CONTAINED IN THIS DRAWING IS THE SOLE PROPERTY OF UNIVERSITY OF IDAHO, ME DEPARTMENT. ANY REPRODUCTION IN PART OR AS A WHOLE WITHOUT THE WRITTEN PERMISSION OF UNIVERSITY OF IDAHO, ME DEPARTMENT IS PROHIBITED.

DIMENSIONS ARE IN INCHES		6061-T6		<i>Bandmobile</i>	
THIRD ANGLE PROJECTION		Material:			
DEFAULT TOLERANCES:		Gusset for Small Bearing Block			
LINEAR:	ANGULAR:	DESCRIPTION:		UNIVERSITY OF IDAHO ME DEPARTMENT	
X. ± .25	X. ± 2	CHECKED BY:		DATE:	
X.X ± .1	X.X ± 1	Kaiflin Tabaracci		11/4/2020	
X.XX ± .01	X.XX ± 0.30'	DRAWN BY:		DATE:	
X.XXX ± .002		FILE NAME: 01-12		Part #: 01-12	
				QTY: 4	
				Scale: 1:2	
				SHEET 2 OF 5	



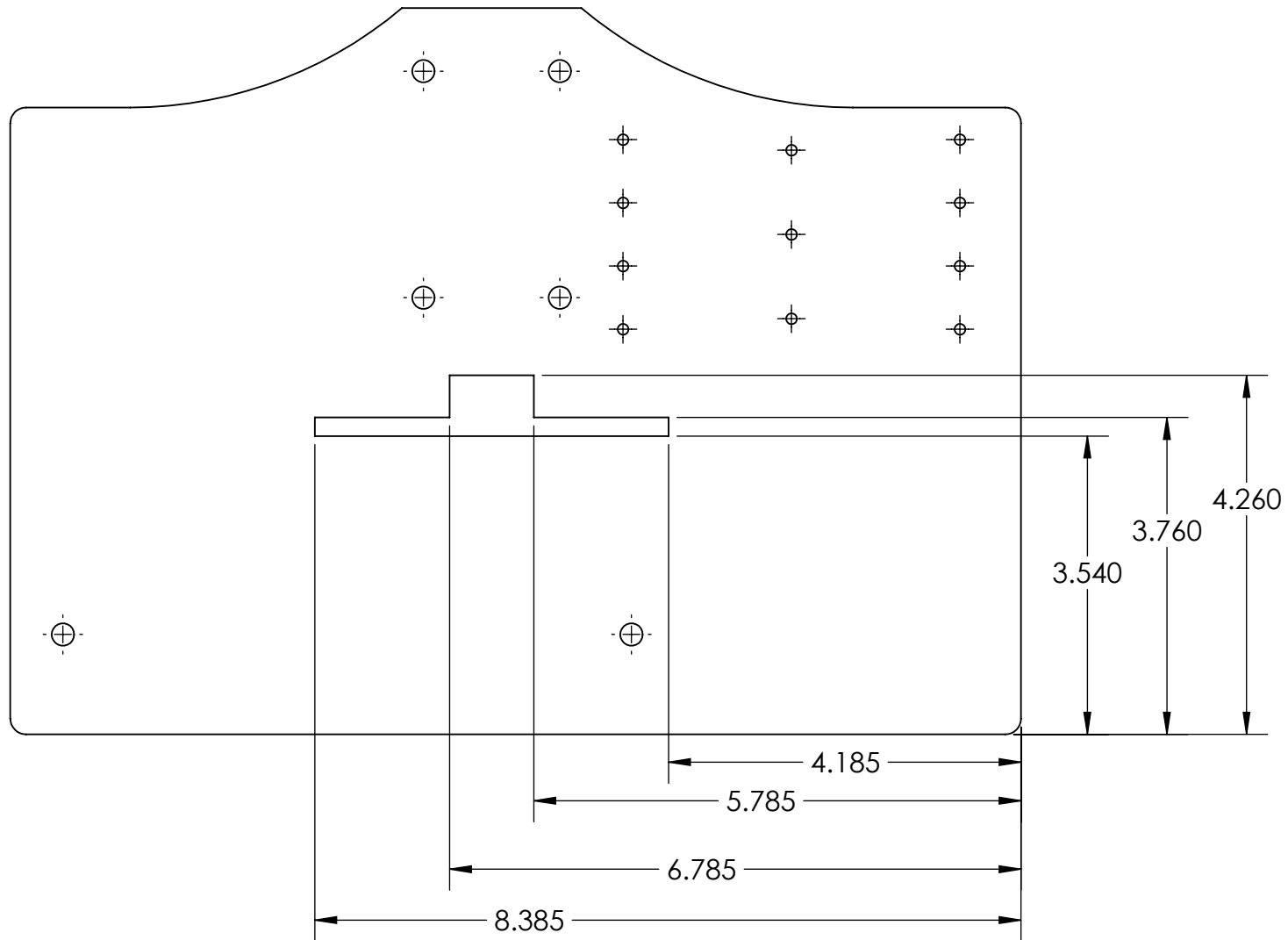
PROPRIETARY AND CONFIDENTIAL
 THE INFORMATION CONTAINED IN THIS DRAWING IS THE SOLE PROPERTY OF UNIVERSITY OF IDAHO, ME DEPARTMENT. ANY REPRODUCTION IN PART OR AS A WHOLE WITHOUT THE WRITTEN PERMISSION OF UNIVERSITY OF IDAHO, ME DEPARTMENT IS PROHIBITED.

DIMENSIONS ARE IN INCHES		6061-T6		<i>Bandmobile</i>	
THIRD ANGLE PROJECTION		Material:			
DEFAULT TOLERANCES:		Gusset for Small Bearing Block			
LINEAR:	ANGULAR:	DESCRIPTION:	CHECKED BY:	DATE:	UNIVERSITY OF IDAHO ME DEPARTMENT
X. ± .25	X. ± 2		Kaitlin Tabaracci	11/4/2020	
X.X ± .1	X.X ± 1	CHECKED BY:			Part #: 01-12
X.XX ± .01	X.XX ± 0.30'	DRAWN BY:			QTY: 4
X.XXX ± .002		FILE NAME:	01-12		Scale: 1:2
					SHEET 3 OF 5



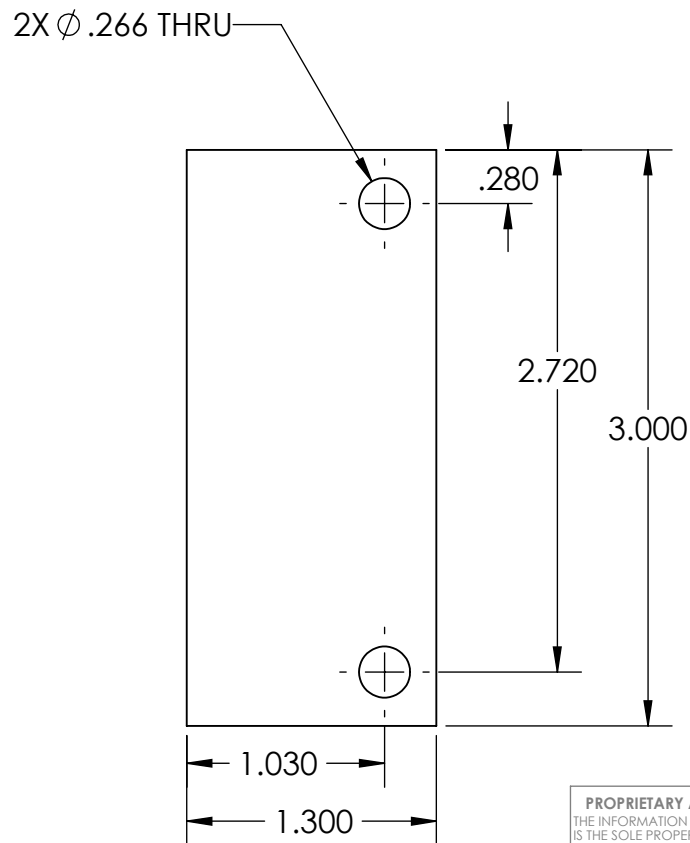
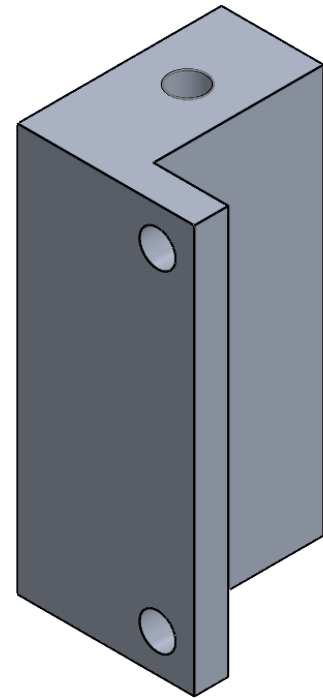
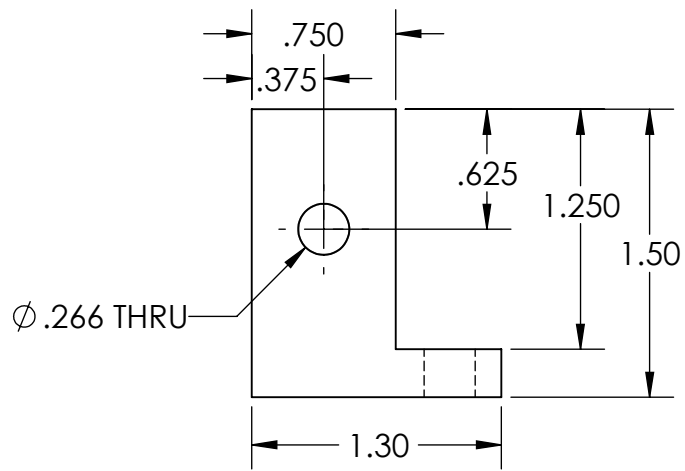
PROPRIETARY AND CONFIDENTIAL
 THE INFORMATION CONTAINED IN THIS DRAWING IS THE SOLE PROPERTY OF UNIVERSITY OF IDAHO, ME DEPARTMENT. ANY REPRODUCTION IN PART OR AS A WHOLE WITHOUT THE WRITTEN PERMISSION OF UNIVERSITY OF IDAHO, ME DEPARTMENT IS PROHIBITED.

DIMENSIONS ARE IN INCHES		6061-T6		Bandmobile	
THIRD ANGLE PROJECTION		Material:			
DEFAULT TOLERANCES:		Gusset for Small Bearing Block			
LINEAR:	ANGULAR:	DESCRIPTION:	CHECKED BY:	DATE:	UNIVERSITY OF IDAHO ME DEPARTMENT
X. ± .25	X. ± 2		Kaitlin Tabaracci	11/4/2020	
X.X ± .1	X.X ± 1	DRAWN BY:		DATE:	Part #: 01-12
X.XX ± .01	X.XX ± 0.30	FILE NAME:	01-12		QTY: 4
X.XXX ± .002					Scale: 1:2
					SHEET 4 OF 5



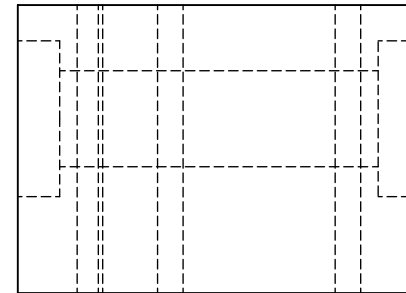
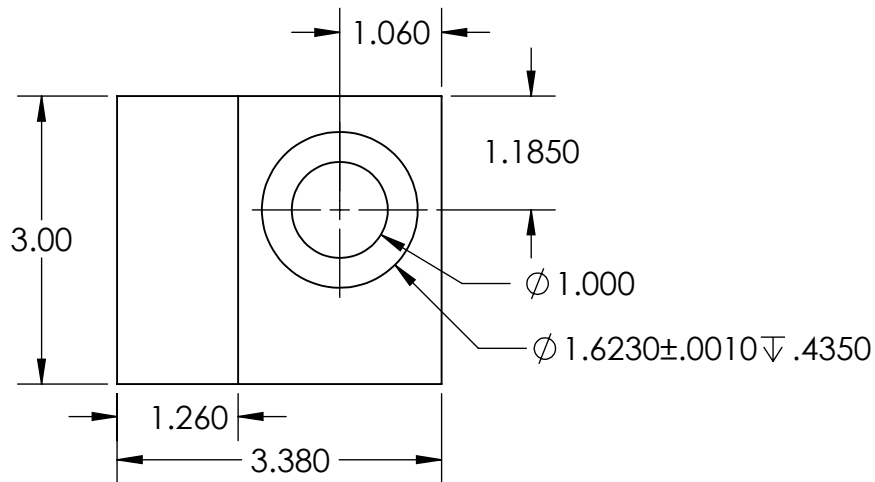
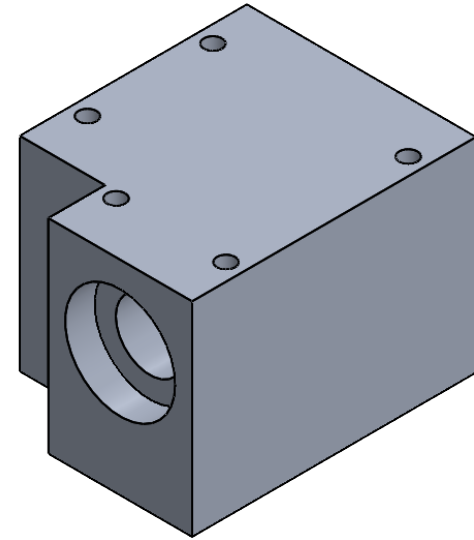
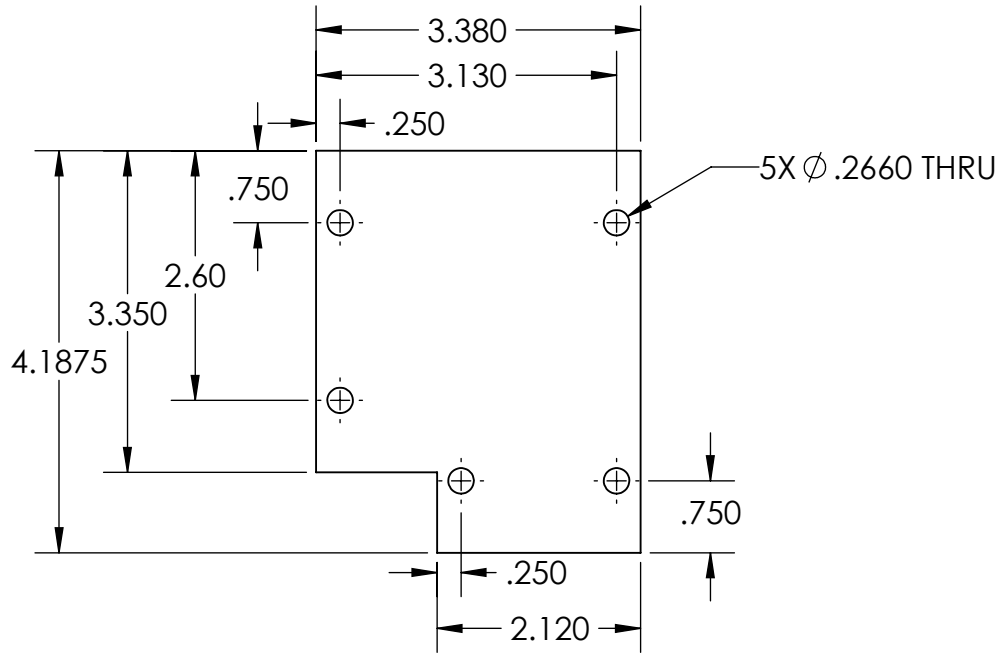
PROPRIETARY AND CONFIDENTIAL
 THE INFORMATION CONTAINED IN THIS DRAWING IS THE SOLE PROPERTY OF UNIVERSITY OF IDAHO, ME DEPARTMENT. ANY REPRODUCTION IN PART OR AS A WHOLE WITHOUT THE WRITTEN PERMISSION OF UNIVERSITY OF IDAHO, ME DEPARTMENT IS PROHIBITED.

DIMENSIONS ARE IN INCHES		6061-T6		Bandmobile	
THIRD ANGLE PROJECTION		Material:			
DEFAULT TOLERANCES:		Gusset for Small Bearing Block			
LINEAR:	ANGULAR:	DESCRIPTION:		UNIVERSITY OF IDAHO ME DEPARTMENT	
X. ± .25	X. ± 2	CHECKED BY:		Part #: 01-12	
X.X ± .1	X.X ± 1	DRAWN BY:		QTY: 4	
X.XX ± .01	X.XX ± 0.30'	DATE:		Scale: 1:2	
X.XXX ± .002		DATE:		SHEET 5 OF 5	
		FILE NAME: 01-12			



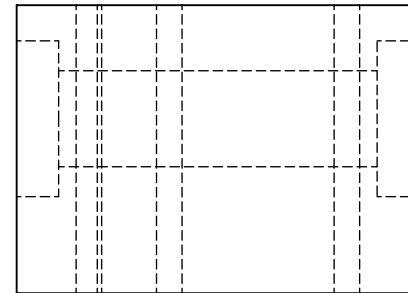
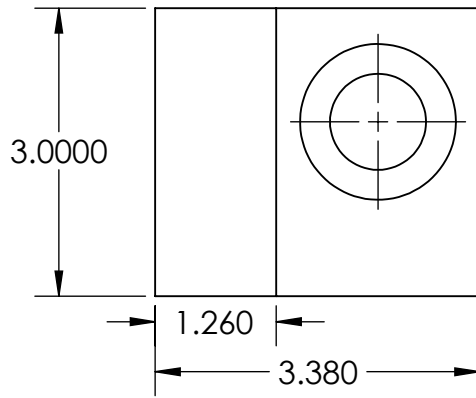
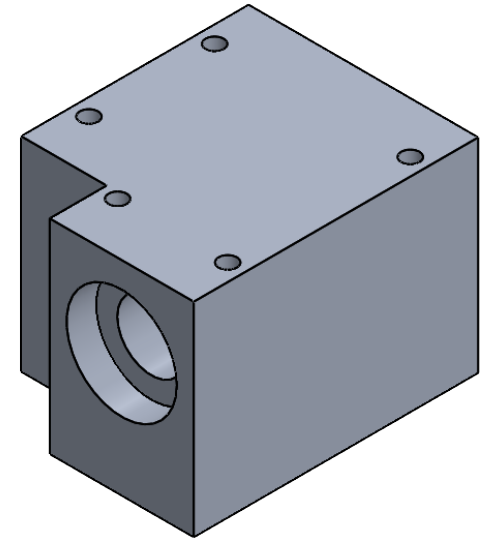
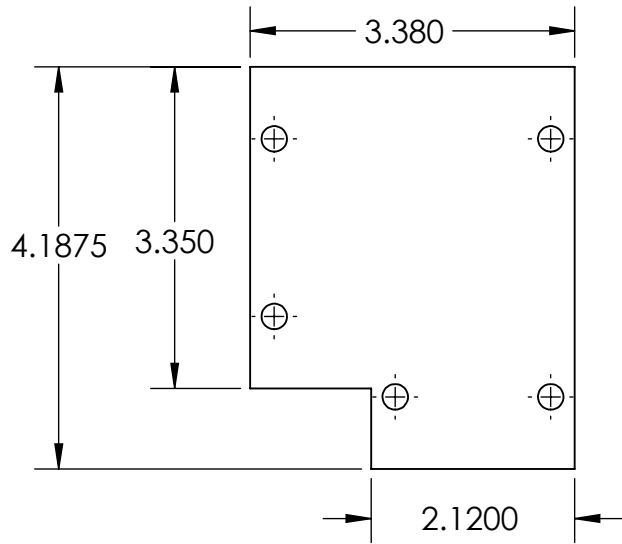
PROPRIETARY AND CONFIDENTIAL
 THE INFORMATION CONTAINED IN THIS DRAWING IS THE SOLE PROPERTY OF UNIVERSITY OF IDAHO, ME DEPARTMENT. ANY REPRODUCTION IN PART OR AS A WHOLE WITHOUT THE WRITTEN PERMISSION OF UNIVERSITY OF IDAHO, ME DEPARTMENT IS PROHIBITED.

DIMENSIONS ARE IN INCHES		6061 Alloy Material:		Bandmobile	
THIRD ANGLE PROJECTION		MOUNTING BRACKET		UNIVERSITY OF IDAHO ME DEPARTMENT	
DEFAULT TOLERANCES:		DESCRIPTION:		Part #: 02-01	
LINEAR:	ANGULAR:	CHECKED BY:	DATE:	QTY:8	
X. ± .25	X. ± 2	Kaitlin Tabaracci	11/2/2020	Scale: 1:1	
X.X ± .1	X.X ± 1	DRAWN BY:	DATE:	SHEET 1 OF 1	
X.XX ± .01	X.XX ± 0.30'	FILE NAME: 02-01			
X.XXX ± .002					



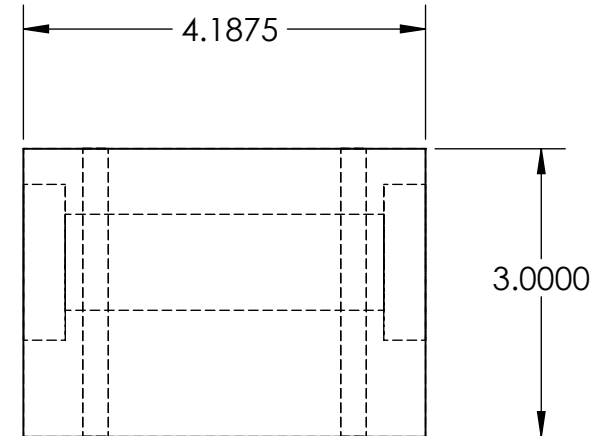
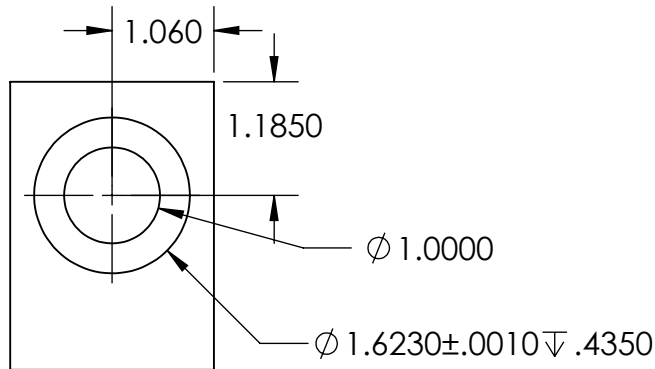
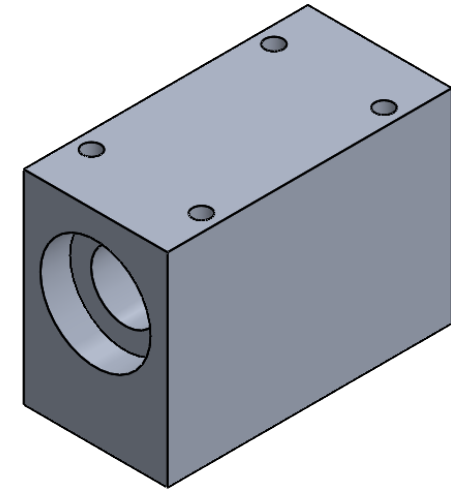
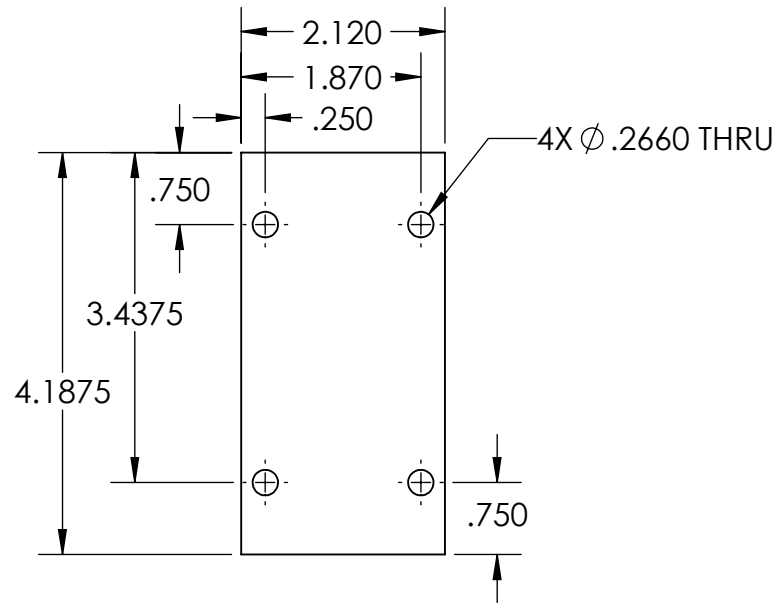
PROPRIETARY AND CONFIDENTIAL
 THE INFORMATION CONTAINED IN THIS DRAWING IS THE SOLE PROPERTY OF UNIVERSITY OF IDAHO, ME DEPARTMENT. ANY REPRODUCTION IN PART OR AS A WHOLE WITHOUT THE WRITTEN PERMISSION OF UNIVERSITY OF IDAHO, ME DEPARTMENT IS PROHIBITED.

DIMENSIONS ARE IN INCHES		6061 Alloy Material:		Bandmobile	
THIRD ANGLE PROJECTION					
DEFAULT TOLERANCES:		LARGE BEARING BLOCK			
LINEAR: X. ± .25 X.X ± .1 X.XX ± .01 X.XXX ± .002	ANGULAR: X. ± 2 X.X ± 1 X.XX ± 0.30'	DESCRIPTION:	CHECKED BY:	DATE:	UNIVERSITY OF IDAHO ME DEPARTMENT
		Kaitlin Tabaracci	10/29/2020	Part #: 03-01	
		FILE NAME: 03-01			QTY:2
					Scale: 1:2
					SHEET 1 OF 2



PROPRIETARY AND CONFIDENTIAL
 THE INFORMATION CONTAINED IN THIS DRAWING IS THE SOLE PROPERTY OF UNIVERSITY OF IDAHO, ME DEPARTMENT. ANY REPRODUCTION IN PART OR AS A WHOLE WITHOUT THE WRITTEN PERMISSION OF UNIVERSITY OF IDAHO, ME DEPARTMENT IS PROHIBITED.

DIMENSIONS ARE IN INCHES		6061 Alloy		<i>Bandmobile</i>	
THIRD ANGLE PROJECTION		Material:			
DEFAULT TOLERANCES:		LARGE BEARING BLOCK			
LINEAR:	ANGULAR:	DESCRIPTION:		UNIVERSITY OF IDAHO ME DEPARTMENT	
X. ± .25	X. ± 2	CHECKED BY:	DATE:	Part #: 03-01	
X.X ± .1	X.X ± 1	KAIFLIN Tabaracci	10/29/2020	QTY:2	
X.XX ± .01	X.XX ± 0.30	DRAWN BY:	DATE:	Scale: 1:2	
X.XXX ± .002		FILE NAME: 03-01		SHEET 2 OF 2	



PROPRIETARY AND CONFIDENTIAL
 THE INFORMATION CONTAINED IN THIS DRAWING IS THE SOLE PROPERTY OF UNIVERSITY OF IDAHO, ME DEPARTMENT. ANY REPRODUCTION IN PART OR AS A WHOLE WITHOUT THE WRITTEN PERMISSION OF UNIVERSITY OF IDAHO, ME DEPARTMENT IS PROHIBITED.

DIMENSIONS ARE IN INCHES		6061 Alloy		<i>Bandmobile</i>	
THIRD ANGLE PROJECTION		Material:			
DEFAULT TOLERANCES:		SMALL BEARING BLOCK			
LINEAR: X. ± .25 X.X ± .1 X.XX ± .01 X.XXX ± .002	ANGULAR: X. ± 2 X.X ± 1 X.XX ± 0.30°	DESCRIPTION:	CHECKED BY:	DATE:	UNIVERSITY OF IDAHO ME DEPARTMENT
		SMALL BEARING BLOCK	Kaitlin Tabaracci	10/29/2020	
		FILE NAME: 03-01	DRAWN BY:	DATE:	
			Part #: 03-01	QTY: 2	SHEET 1 OF 1
			Scale: 1:2		