
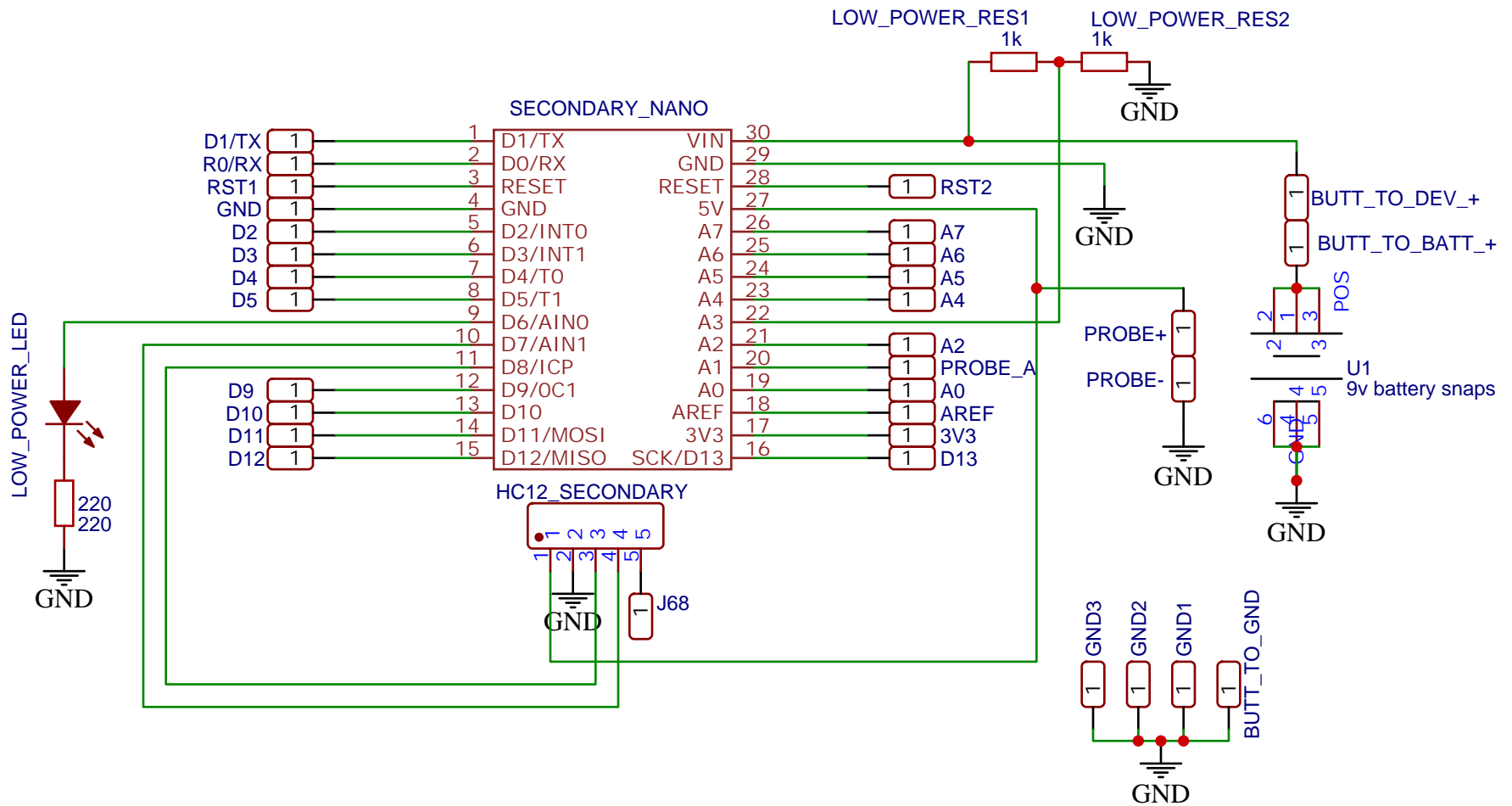


TITLE: Main Probe Schematic		REV: 1.0
	Company: Univeristy of Idaho	Sheet: 1/1
	Date: 02/17/2021	Drawn By: Joshua Camper



TITLE: Secondary Probe Schematic		REV: 1.0
	Company: University of Idaho	Sheet: 1/1
	Date: 03/09/2021	Drawn By: Joshua Camper