





University
of Idaho



IDAHO
CSC



CSC REAR DRIVE


TEAM SKIDADDLE :


<ul style="list-style-type: none"> -ADAM THURGOOD -OMAR RUIZ -SALEH ALKHATHAMI 	<ul style="list-style-type: none"> -BRANNON HUDSON -AREF HAKAMI -THOMAS ENTWIT
---	---

1

VALUE PROPOSITION

- Traditional Snowmobile powertrains are robust and packaging convenient, but not the most efficient
 - Flexible elements, like the track which drives the snowmobile, would prefer pulling system (Rear Driving) rather than the traditional pushing system (Forward Drive)
- U of I has participated in SAE CSC since 2001
 - UICSC team values innovation in efficiency
- We seek to develop a rear drive system that is sufficient for CSC and for developing test data

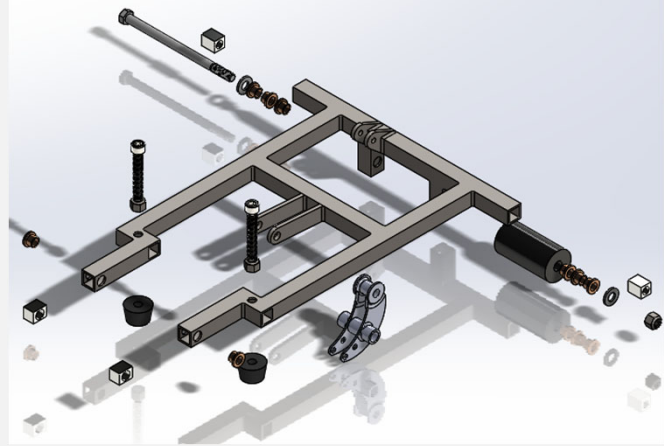
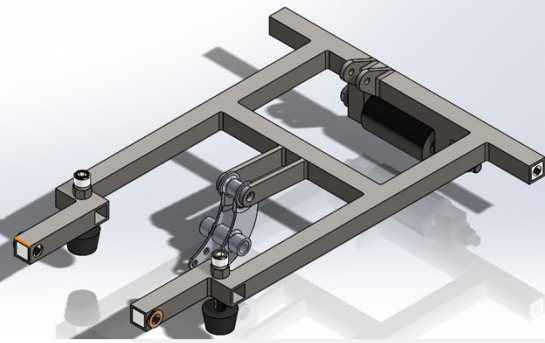




2

2

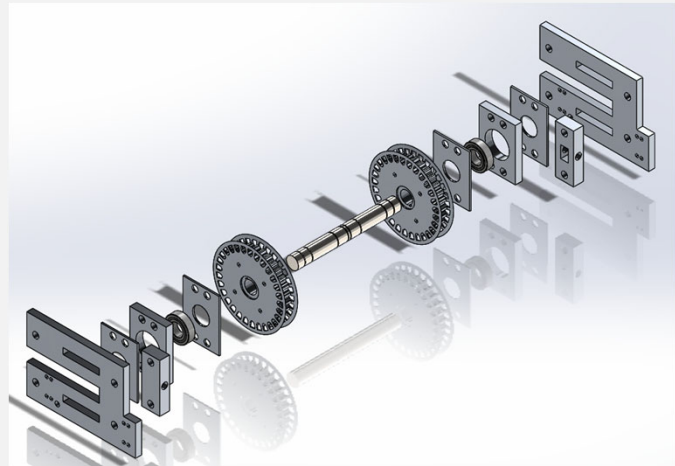
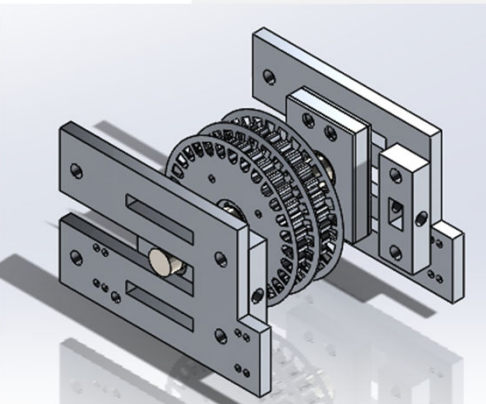
FORWARD SUSPENSION



3

3

INTERMEDIATE AXLE

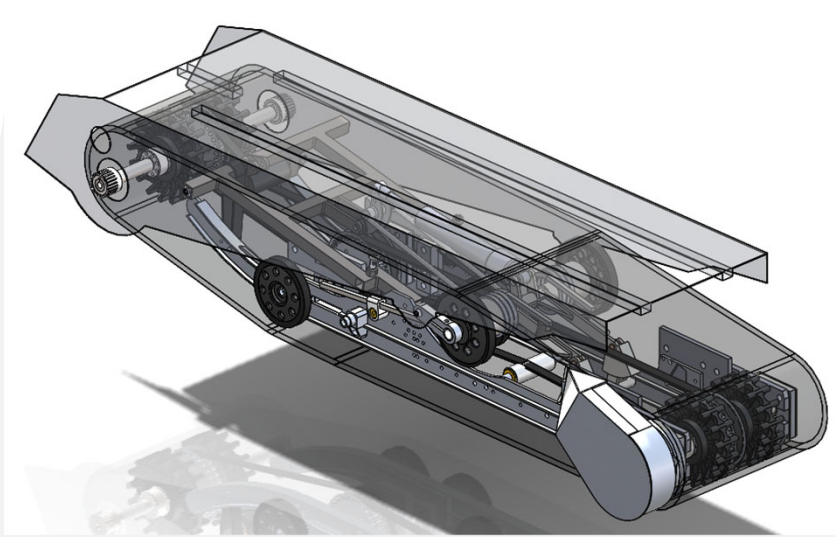


4

4



FULL ASSEMBLY

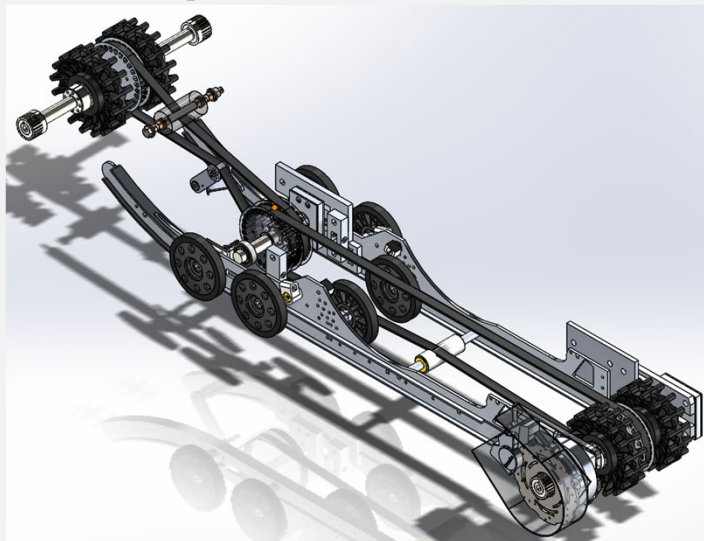


5

5



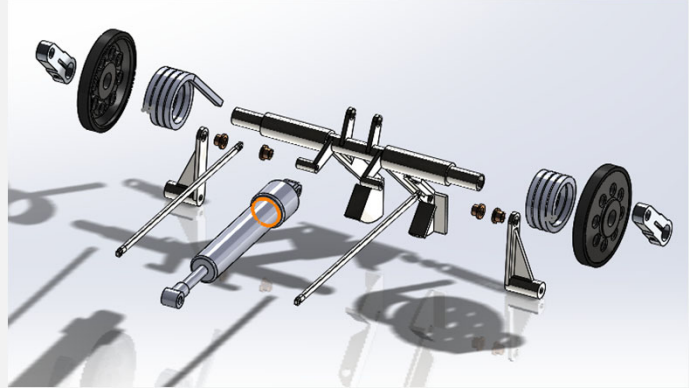
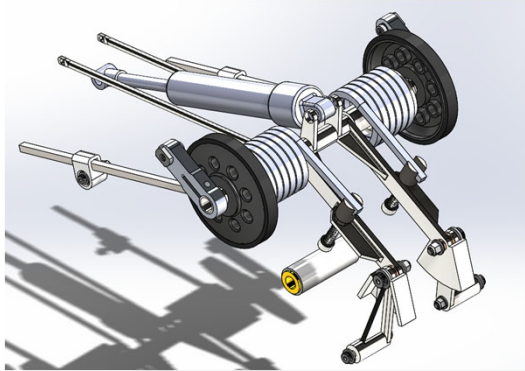
POWERTRAIN/BELTS



6

6

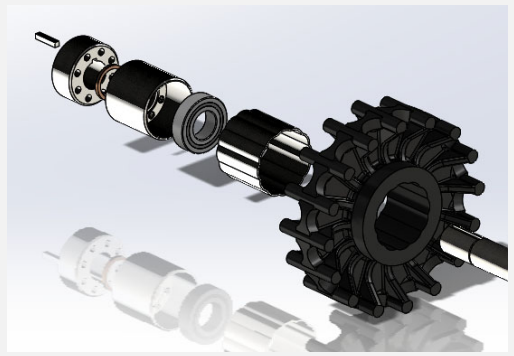
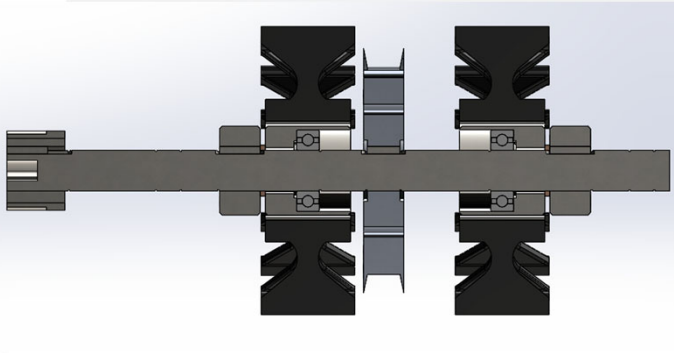
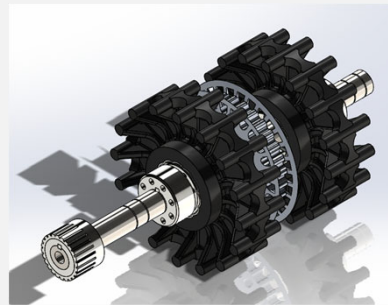
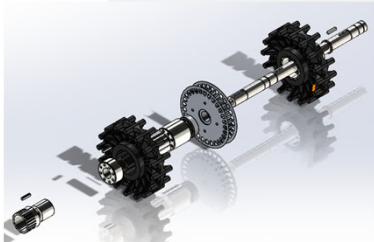
REAR SUSPENSION



7

7

REAR AXLE



8



RUNNERS/MOUNTS

