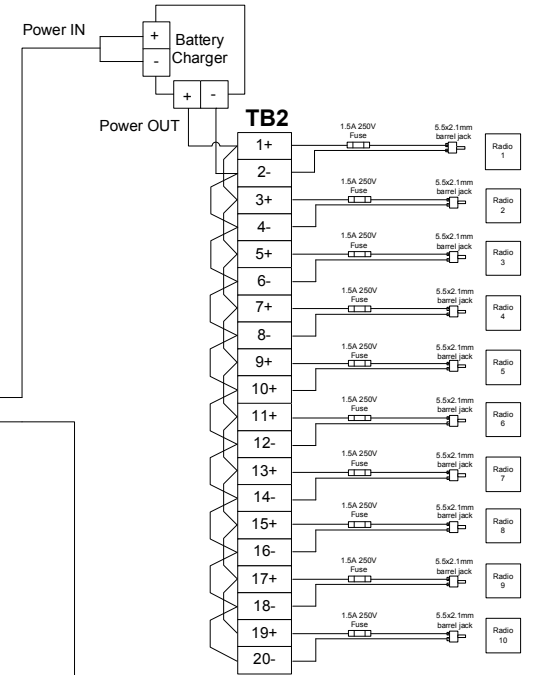
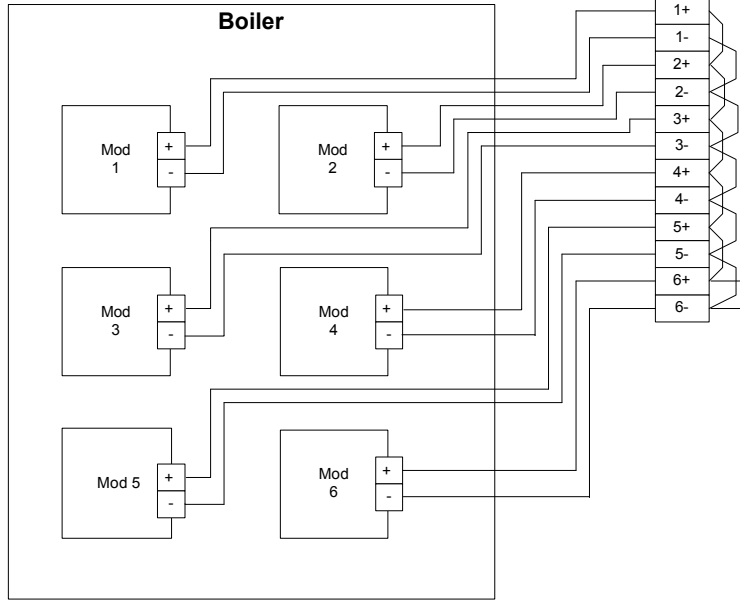
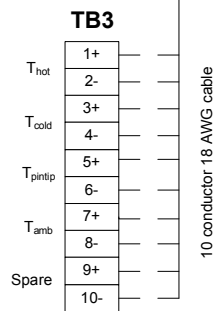


All wires running from Mods to TB1 and jumpers will be 16 AWG

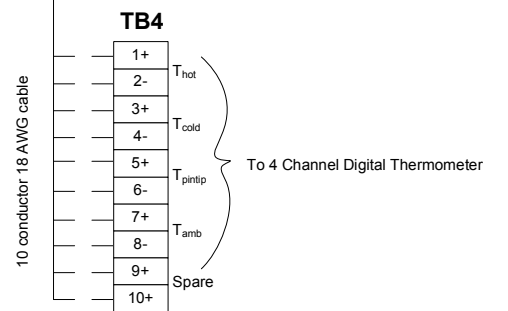


6 AWG 2 conductor cable  
Line length = 60 feet  
18 AWG 10 conductor cable



Thermocouples placed on 1 Mod for temperature measurements

10 conductor 18 AWG cable



10 conductor 18 AWG cable

**Individual Module breakdown**

