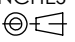
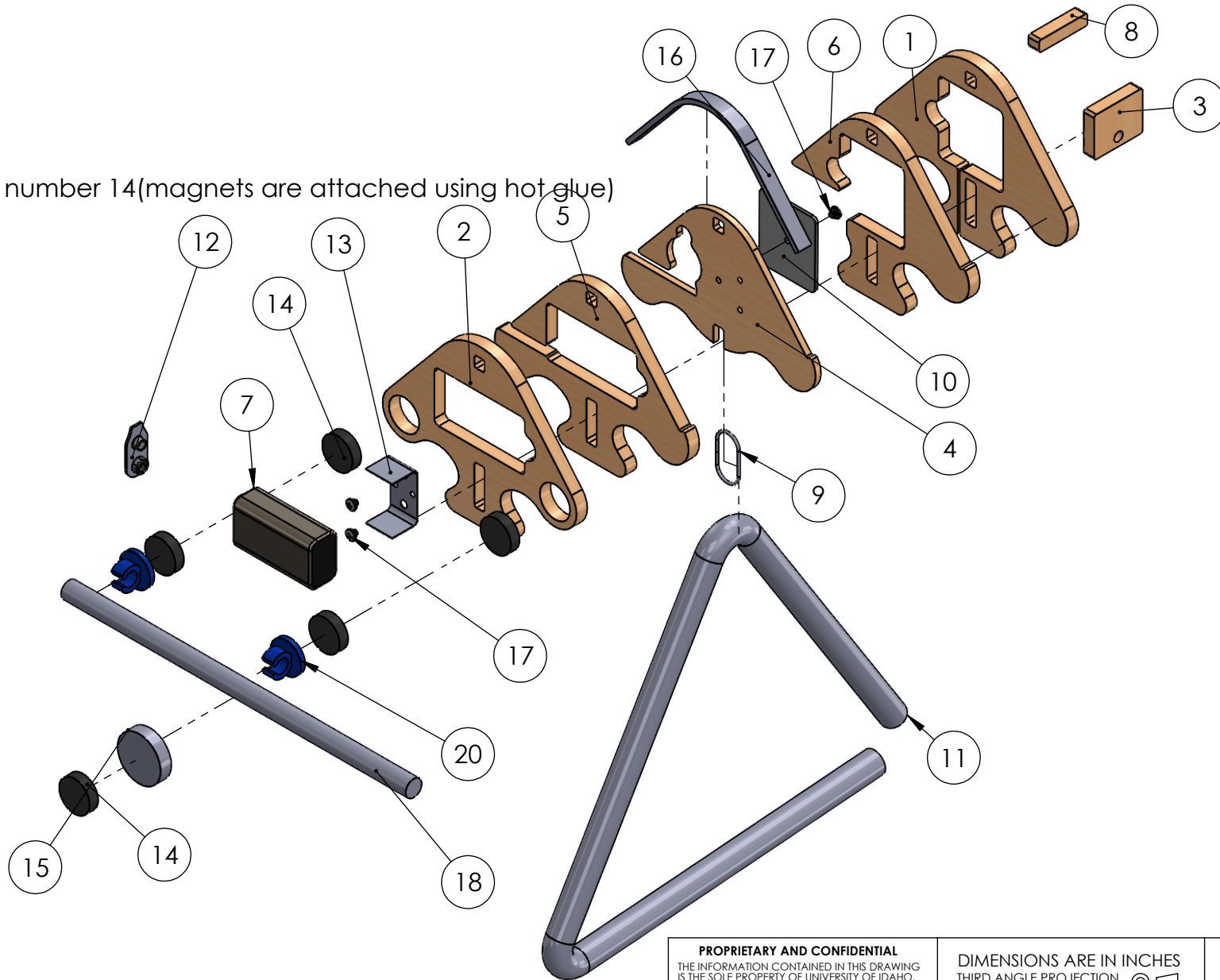




<b>PROPRIETARY AND CONFIDENTIAL</b> THE INFORMATION CONTAINED IN THIS DRAWING IS THE SOLE PROPERTY OF UNIVERSITY OF IDAHO, ME DEPARTMENT. ANY REPRODUCTION IN PART OR AS A WHOLE WITHOUT THE WRITTEN PERMISSION OF UNIVERSITY OF IDAHO, ME DEPARTMENT IS PROHIBITED.		DIMENSIONS ARE IN INCHES THIRD ANGLE PROJECTION 		<b>PROJECT NAME</b>	
DEFAULT TOLERANCES:		DESCRIPTION: full handle assembly		<b>UNIVERSITY OF IDAHO ME DEPARTMENT</b>	
LINEAR: X. ± .25 X.X ± .1 X.XX ± .01 X.XXX ± .002	ANGULAR: X. ± 2 X.X ± 1 X.XX ± 0 30'	CHECKED BY: XXXXXXXXXX	DATE: XX/XX/XX	PART #: 01-00	QTY:
		DRAWN BY:	DATE: 7/30/2019	SCALE: 1:3	SHEET: 1 OF 14
		FILE NAME: Final Design.SLDPRT			

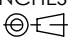
Part number 14(magnets are attached using hot glue)

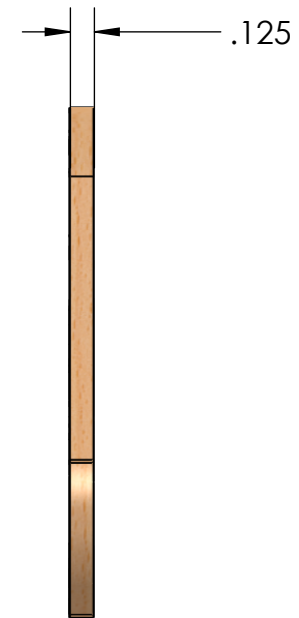
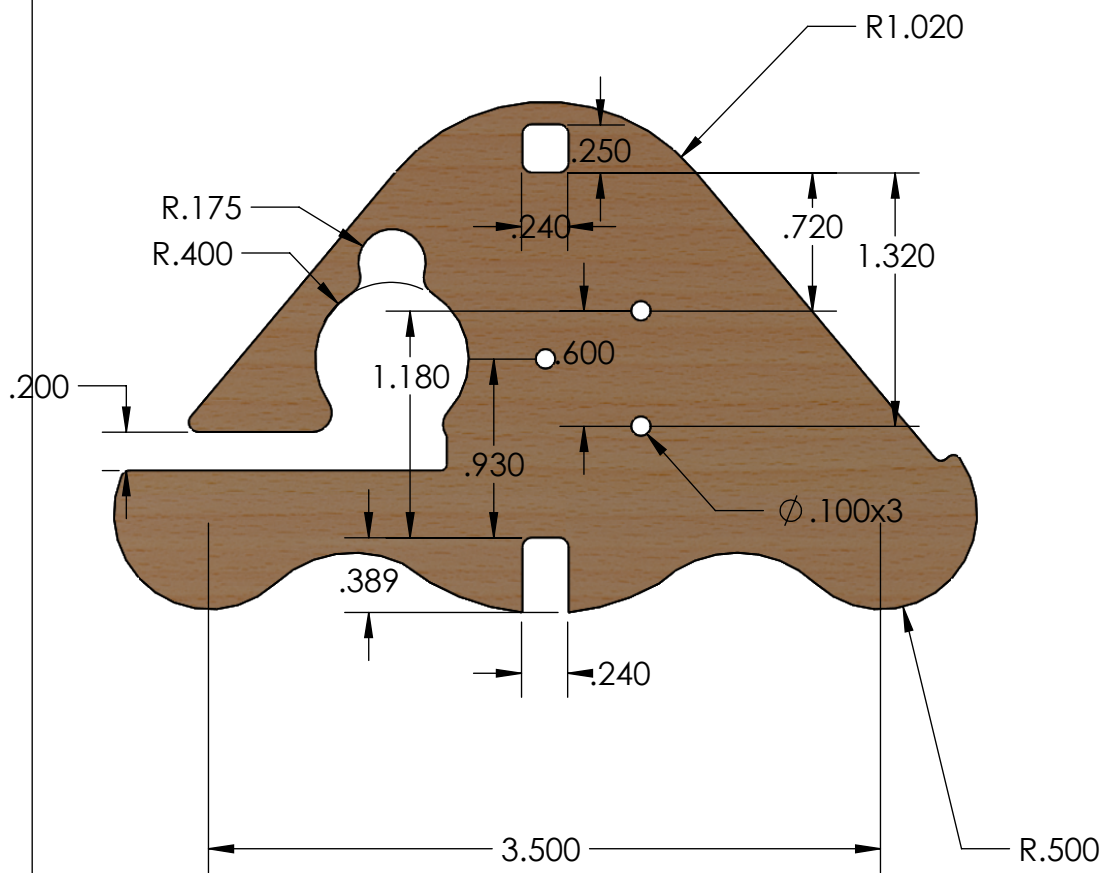


Birtch parts laser cut use linear tolerences

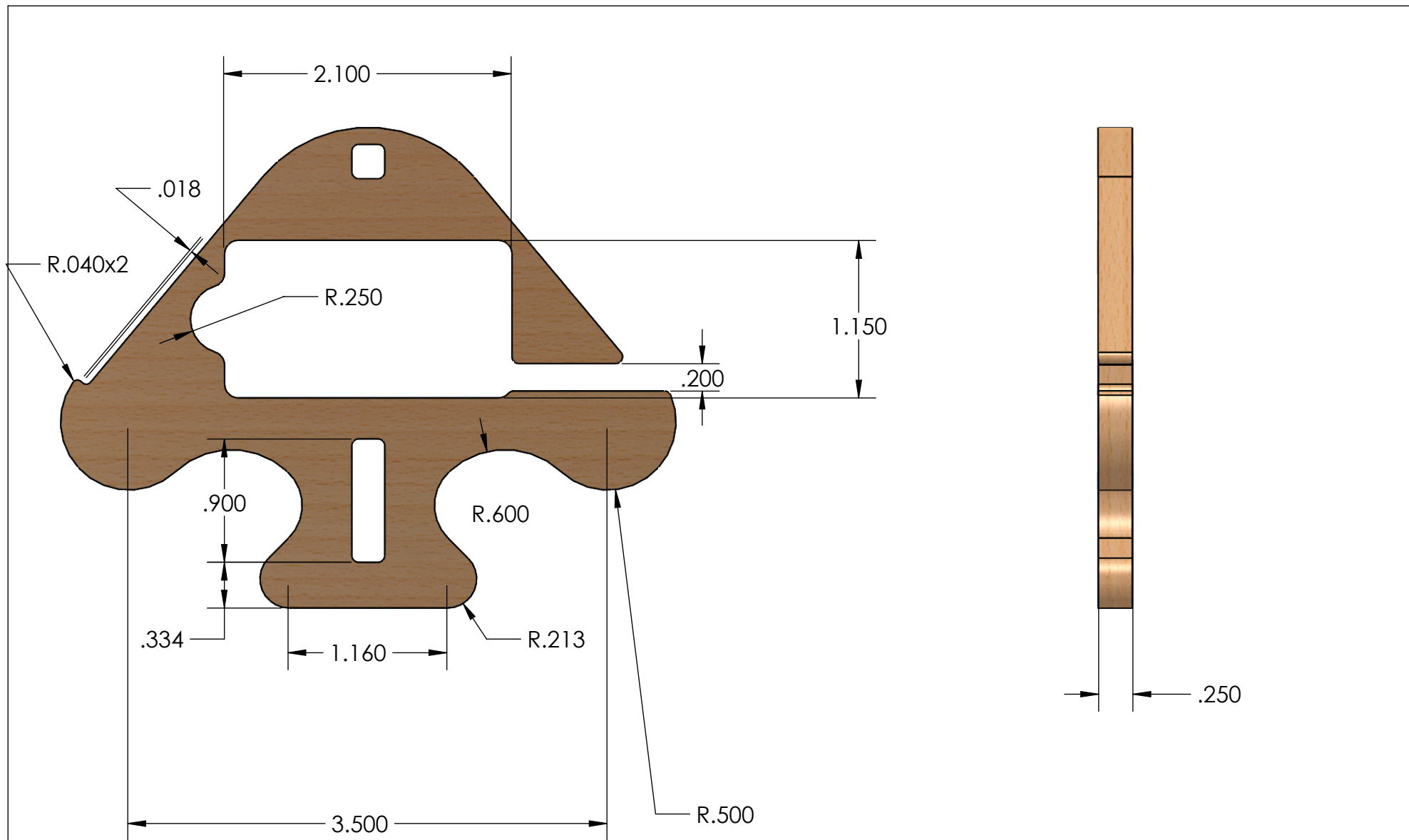
<b>PROPRIETARY AND CONFIDENTIAL</b> THE INFORMATION CONTAINED IN THIS DRAWING IS THE SOLE PROPERTY OF UNIVERSITY OF IDAHO, ME DEPARTMENT. ANY REPRODUCTION IN PART OR AS A WHOLE WITHOUT THE WRITTEN PERMISSION OF UNIVERSITY OF IDAHO, ME DEPARTMENT IS PROHIBITED.		DIMENSIONS ARE IN INCHES THIRD ANGLE PROJECTION		<b>Triangle Assembly</b>	
DEFAULT TOLERANCES: LINEAR: X.±.25 X.X±.1 X.XX±.01 X.XXX±.002		DESCRIPTION: full handle assembly CHECKED BY: Drawn by: Richard Brock Buaghman FILE NAME: Final Design.SLDPRT		MATERIAL: mixed DATE: 7/31/2019 DATE: 7/30/2019	
ANGULAR: X.± 2 X.X± 1 X.XX± 0 30'		UNIVERSITY OF IDAHO ME DEPARTMENT		PART #: 01-00 QTY: 150 SCALE: 1:2.5 SHEET: 2 OF 14	

ITEM NO.	PART	DESCRIPTION	QTY.
1	front plate	Front plate housing Curcuit	1
2	back plate	Back Plate Housing for Battery	1
3	block piece	Bottom block to press fit and hold connector	1
4	middle	Middlw plate to ancor battery and curcuit	1
5	back plate middle	Housing for 9-Volt battery	1
6	front plate middle	Housing for curcuit board	1
7	9V-2	Rechargable 9-volt Battery	1
8	block piece 2	Press fit block peice to hold assembly together	1
9	connector	3" Pin Security Loop ID#:B07FK9924L	1
10	circuit	Curcitty for peizo and lights	1
11	muscial Triangle	muscial triangle	1
12	9V-2buton	Clip used to attach battery to circuit	1
13	battery clip	Metal 9V Battery Holder Clip ID#12BH079-GR-VP	1
14	magnet	Flat Circle Magnets ID#31381300	5
15	piezo	Vibration sensor ID:B073FCGCYB	1
16	lights	LED Strip lights with 8 lights ID#:2832	1
17	91772A513	4-40-5/32 Screw ID#91772A349	3
18	striker	Stricker used to hit Triangle	1
19	Hot glue	hot glue is used to attach all magnets	
20	Striker Clip Rev2	Bracket to attach magnet	2

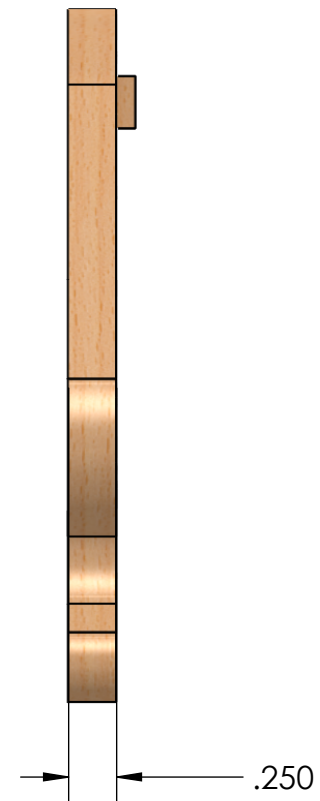
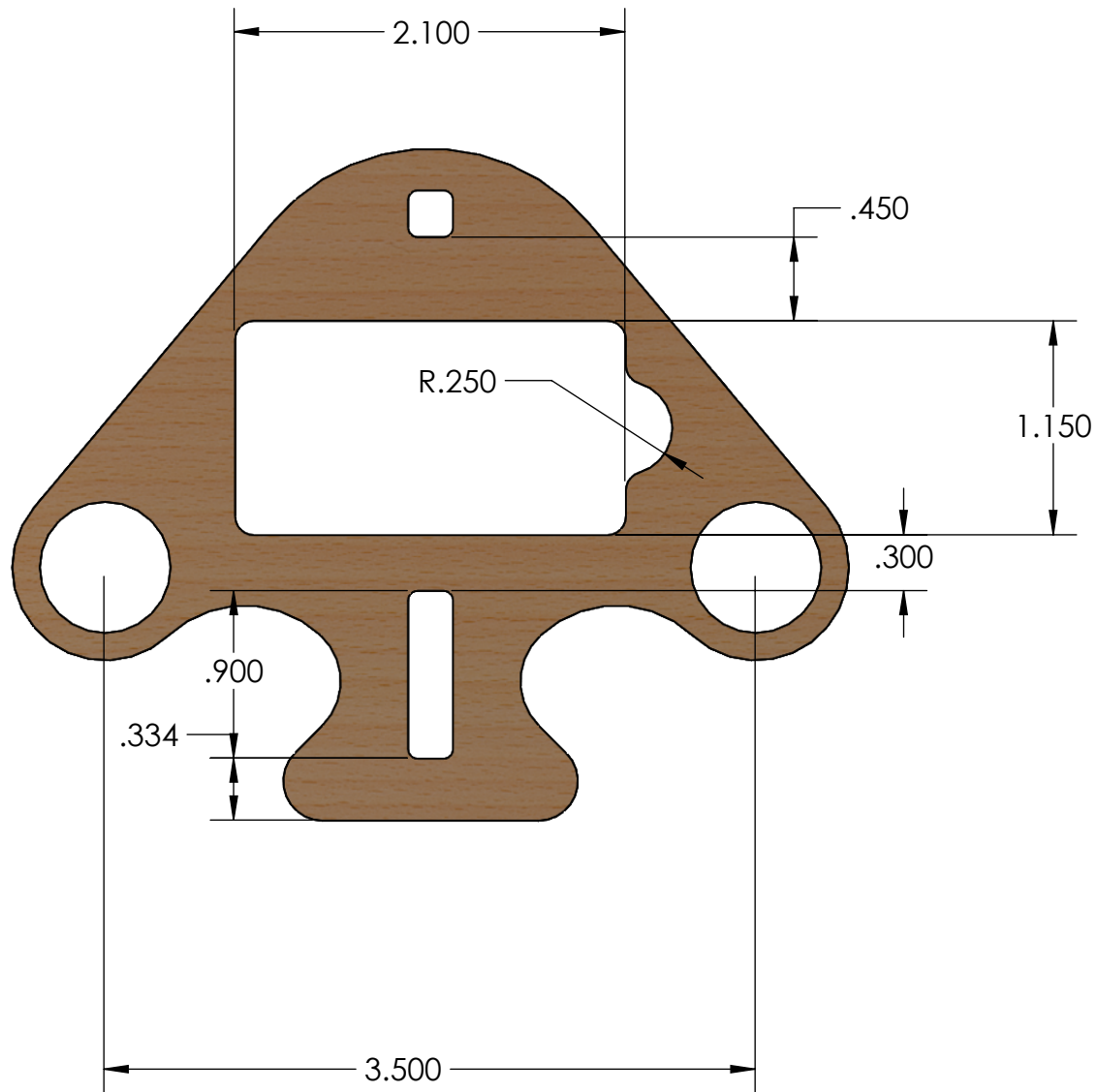
<p><b>PROPRIETARY AND CONFIDENTIAL</b>          THE INFORMATION CONTAINED IN THIS DRAWING IS THE SOLE PROPERTY OF UNIVERSITY OF IDAHO, ME DEPARTMENT. ANY REPRODUCTION IN PART OR AS A WHOLE WITHOUT THE WRITTEN PERMISSION OF UNIVERSITY OF IDAHO, ME DEPARTMENT IS PROHIBITED.</p>		DIMENSIONS ARE IN INCHES THIRD ANGLE PROJECTION 		<p><b>PROJECT NAME</b></p>	
		MATERIAL:			
DEFAULT TOLERANCES: LINEAR: X. ± .25 X.X ± .1 X.XX ± .01 X.XXX ± .002		ANGULAR: X. ± 2 X.X ± 1 X.XX ± 0 30'		<p><b>UNIVERSITY OF IDAHO ME DEPARTMENT</b></p>	
DESCRIPTION:		CHECKED BY: XXXXXXXXXXXX		DATE: XX/XX/XX	
DRAWN BY:		DATE:		PART #:	
FILE NAME: .SLDPRT		SCALE: 1:3		SHEET: 3 OF 14	



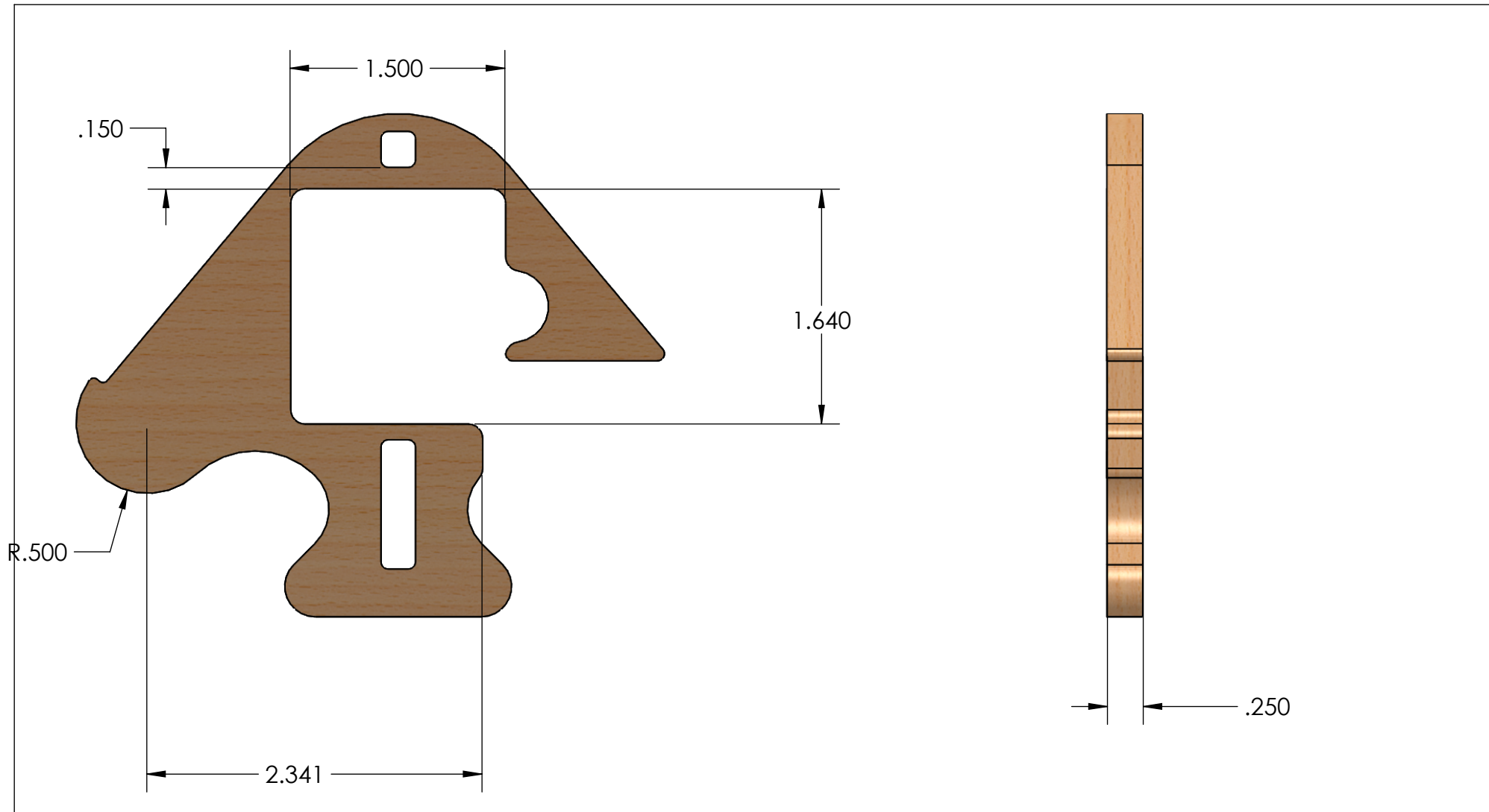
<b>PROPRIETARY AND CONFIDENTIAL</b> THE INFORMATION CONTAINED IN THIS DRAWING IS THE SOLE PROPERTY OF UNIVERSITY OF IDAHO, ME DEPARTMENT. ANY REPRODUCTION IN PART OR AS A WHOLE WITHOUT THE WRITTEN PERMISSION OF UNIVERSITY OF IDAHO, ME DEPARTMENT IS PROHIBITED.		DIMENSIONS ARE IN INCHES THIRD ANGLE PROJECTION		Middle Plate	
DEFAULT TOLERANCES: LINEAR: X. ± .25 X.X ± .1 X.XX ± .01 X.XXX ± .002		DESCRIPTION: Middlw plate to ancor battery and curcfit CHECKED BY: DATE: Drawn by: Richard Brock Baughman DATE: 7/30/2019 FILE NAME: middle.SLDprt			
ANGULAR: X. ± 2 X.X ± 1 X.XX ± 0 30'		UNIVERSITY OF IDAHO ME DEPARTMENT		PART #: 01-01	QTY: 1
		SCALE: 1:1		SHEET: 4 OF 14	

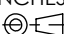


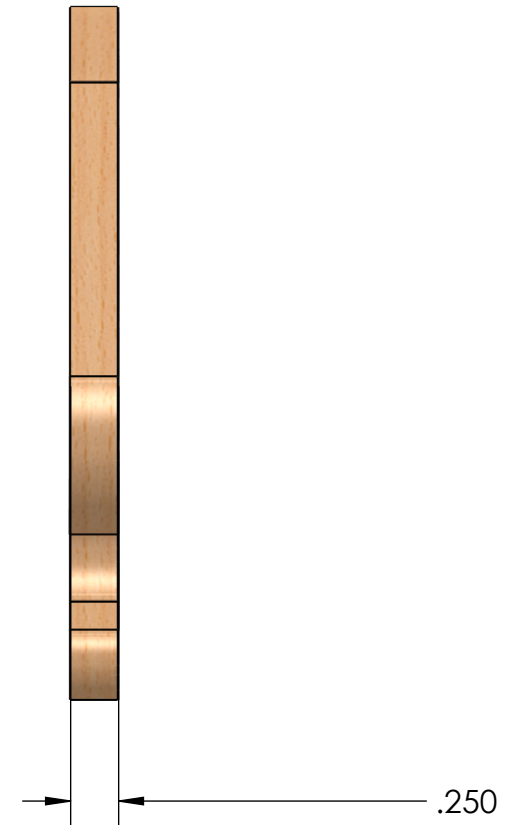
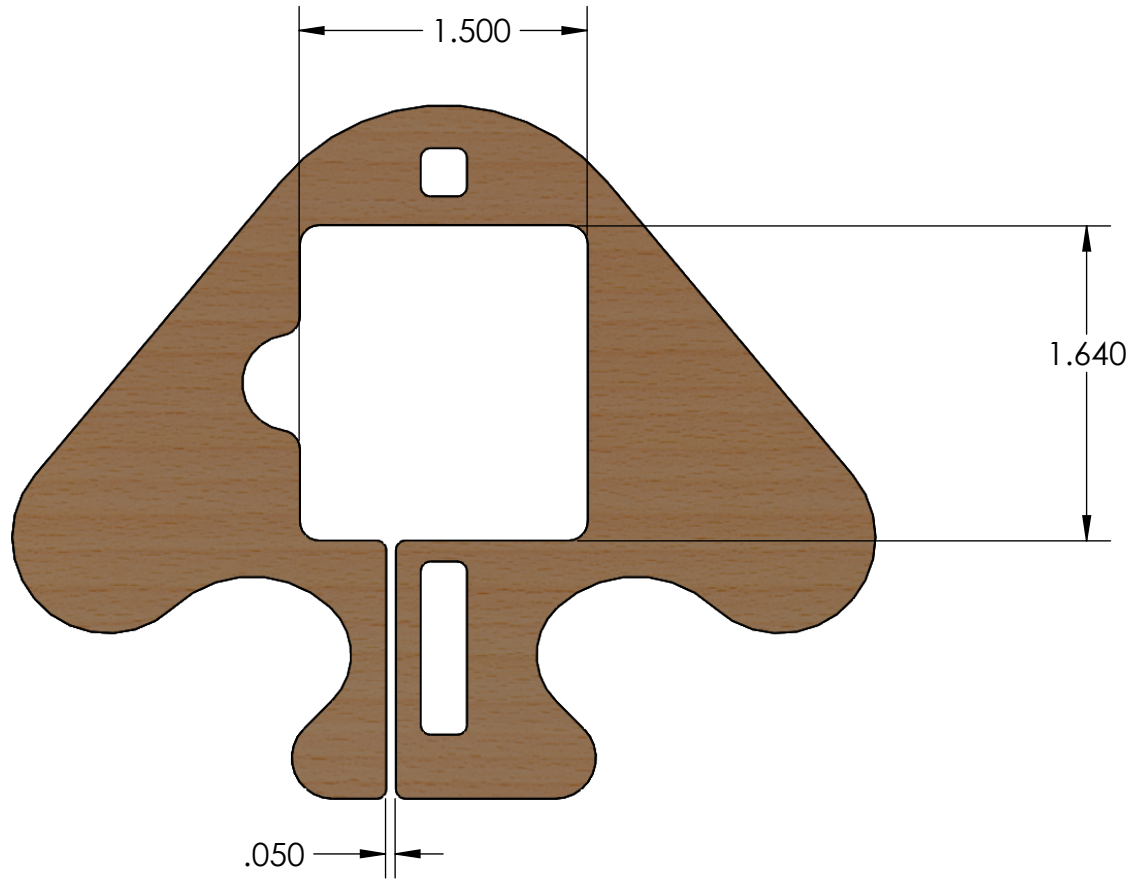
<b>PROPRIETARY AND CONFIDENTIAL</b> THE INFORMATION CONTAINED IN THIS DRAWING IS THE SOLE PROPERTY OF UNIVERSITY OF IDAHO, ME DEPARTMENT. ANY REPRODUCTION IN PART OR AS A WHOLE WITHOUT THE WRITTEN PERMISSION OF UNIVERSITY OF IDAHO, ME DEPARTMENT IS PROHIBITED.		DIMENSIONS ARE IN INCHES THIRD ANGLE PROJECTION		<b>Back Middle Plate</b>	
DEFAULT TOLERANCES:		MATERIAL: .25" Birch plywood			
LINEAR: X. ± .25 X.X ± .1 X.XX ± .01 X.XXX ± .002	ANGULAR: X. ± 2 X.X ± 1 X.XX ± 0.30'	DESCRIPTION: Housing for 9-Volt battery		<b>UNIVERSITY OF IDAHO ME DEPARTMENT</b>	
		CHECKED BY:	DATE:		
		DRAWN BY: Richard Brock Baughman		DATE: 7/30/2019	
		FILE NAME: back_plate_middle.SLDPRT		SCALE: 1:1	SHEET: 5 OF 14

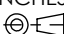


<b>PROPRIETARY AND CONFIDENTIAL</b> THE INFORMATION CONTAINED IN THIS DRAWING IS THE SOLE PROPERTY OF UNIVERSITY OF IDAHO, ME DEPARTMENT. ANY REPRODUCTION IN PART OR AS A WHOLE WITHOUT THE WRITTEN PERMISSION OF UNIVERSITY OF IDAHO, ME DEPARTMENT IS PROHIBITED.		DIMENSIONS ARE IN INCHES THIRD ANGLE PROJECTION		Back Plate	
DEFAULT TOLERANCES:		DESCRIPTION: Back Plate Housing for Battery		MATERIAL: Birch .25" plywood	
LINER:	ANGULAR:	CHECKED BY:	DATE:	UNIVERSITY OF IDAHO ME DEPARTMENT	
X. ± .25	X. ± 2	DRAWN BY: Brock Baughman	DATE: 7/30/2019	PART #: 01-03	QTY:
X.X ± .1	X.X ± 1	FILE NAME: back.plate.SLDPRT	SCALE: 1:1	SHEET: 6 OF 14	
X.XX ± .01	X.XX ± 0.30				
X.XXX ± .002					

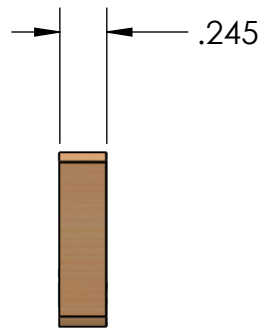
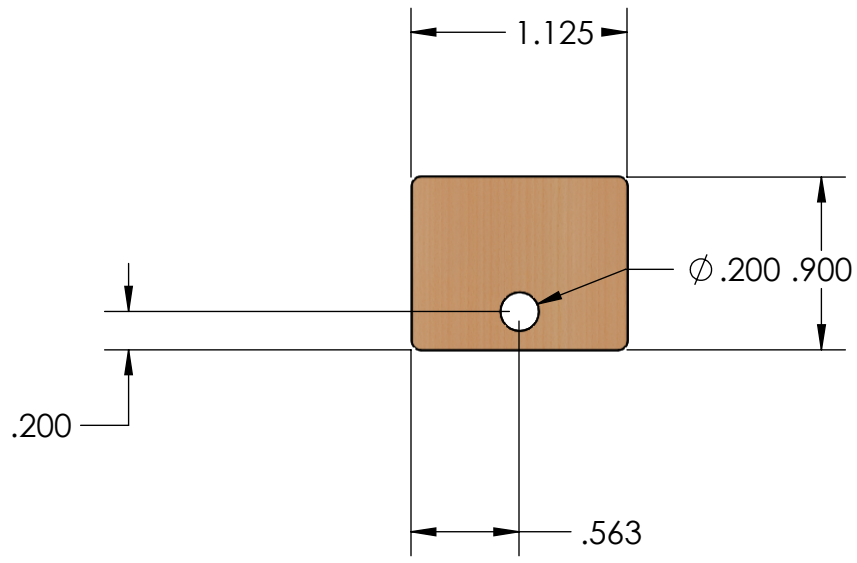


<b>PROPRIETARY AND CONFIDENTIAL</b> THE INFORMATION CONTAINED IN THIS DRAWING IS THE SOLE PROPERTY OF UNIVERSITY OF IDAHO, ME DEPARTMENT. ANY REPRODUCTION IN PART OR AS A WHOLE WITHOUT THE WRITTEN PERMISSION OF UNIVERSITY OF IDAHO, ME DEPARTMENT IS PROHIBITED.		DIMENSIONS ARE IN INCHES THIRD ANGLE PROJECTION 		Front middle Plate	
DEFAULT TOLERANCES:		MATERIAL: Birch .25" plywood			
LINEAR: X. ± .25 X.X ± .1 X.XX ± .01 X.XXX ± .002	ANGULAR: X. ± 2 X.X ± 1 X.XX ± 0.30'	DESCRIPTION: Housing for curcit board		<b>UNIVERSITY OF IDAHO ME DEPARTMENT</b>	
		CHECKED BY:	DATE:		
		DRAWN BY: Richard Brock Baughman		DATE: 7/30/2019	
		FILE NAME: front plate middle.SLDPRT		SCALE: 1:1	SHEET: 7 OF 14

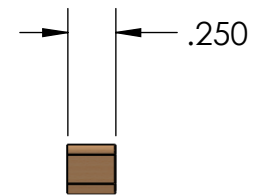
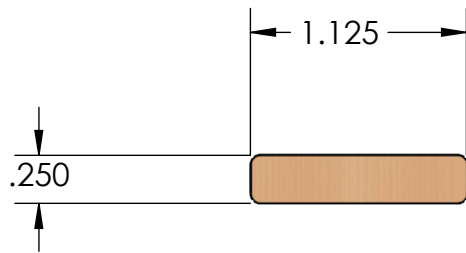


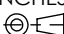
<b>PROPRIETARY AND CONFIDENTIAL</b> THE INFORMATION CONTAINED IN THIS DRAWING IS THE SOLE PROPERTY OF UNIVERSITY OF IDAHO, ME DEPARTMENT. ANY REPRODUCTION IN PART OR AS A WHOLE WITHOUT THE WRITTEN PERMISSION OF UNIVERSITY OF IDAHO, ME DEPARTMENT IS PROHIBITED.		DIMENSIONS ARE IN INCHES THIRD ANGLE PROJECTION 		<b>Front Plate</b>	
		MATERIAL: .25 Birch plywood			
DEFAULT TOLERANCES:		DESCRIPTION: Frount plate housing Curcitt		<b>UNIVERSITY OF IDAHO ME DEPARTMENT</b>	
LINEAR: X. ± .25 X.X ± .1 X.XX ± .01 X.XXX ± .002	ANGULAR: X. ± 2 X.X ± 1 X.XX ± 0 30'	CHECKED BY:	DATE:		
		DRAWN BY: Richard Brock Baughman	DATE: 7/30/2019	PART #: 01-05	QTY: 1
		FILE NAME: front plate.SLDPRT	SCALE: 1:1	SHEET: 8 OF 14	

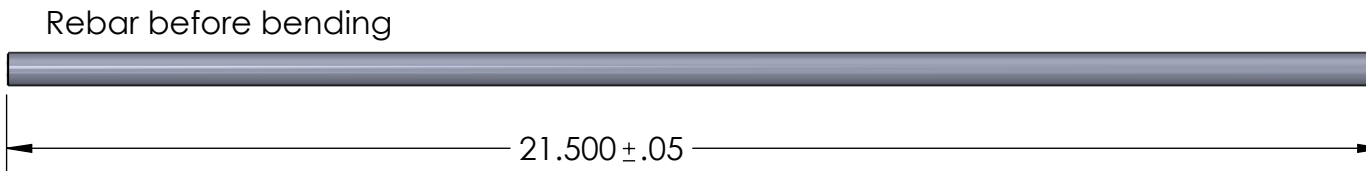
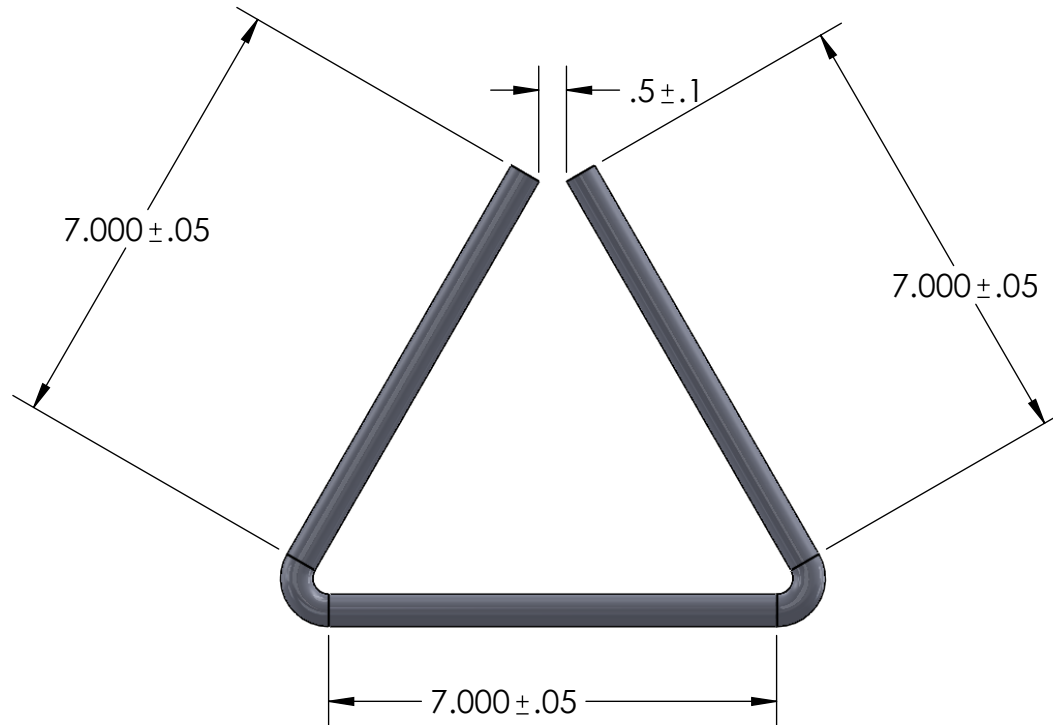




<b>PROPRIETARY AND CONFIDENTIAL</b> THE INFORMATION CONTAINED IN THIS DRAWING IS THE SOLE PROPERTY OF UNIVERSITY OF IDAHO, ME DEPARTMENT. ANY REPRODUCTION IN PART OR AS A WHOLE WITHOUT THE WRITTEN PERMISSION OF UNIVERSITY OF IDAHO, ME DEPARTMENT IS PROHIBITED.		DIMENSIONS ARE IN INCHES THIRD ANGLE PROJECTION		<b>Bottom Block</b>	
DEFAULT TOLERANCES: LINEAR: X. ± .25 X.X ± .1 X.XX ± .01 X.XXX ± .002		MATERIAL: Birch .25" plywood			
ANGULAR: X. ± 2 X.X ± 1 X.XX ± 0 30'		DESCRIPTION: Bottom block to press fit and hold connector		PART #: 01-06	
		CHECKED BY:		DATE:	
		DRAWN BY: Richard Brock Baughman		DATE: 7/30/2019	
		FILE NAME: block.piece.SLDPRT		SCALE: 1:1	
				QTY: 1	
				SHEET: 9 OF 14	

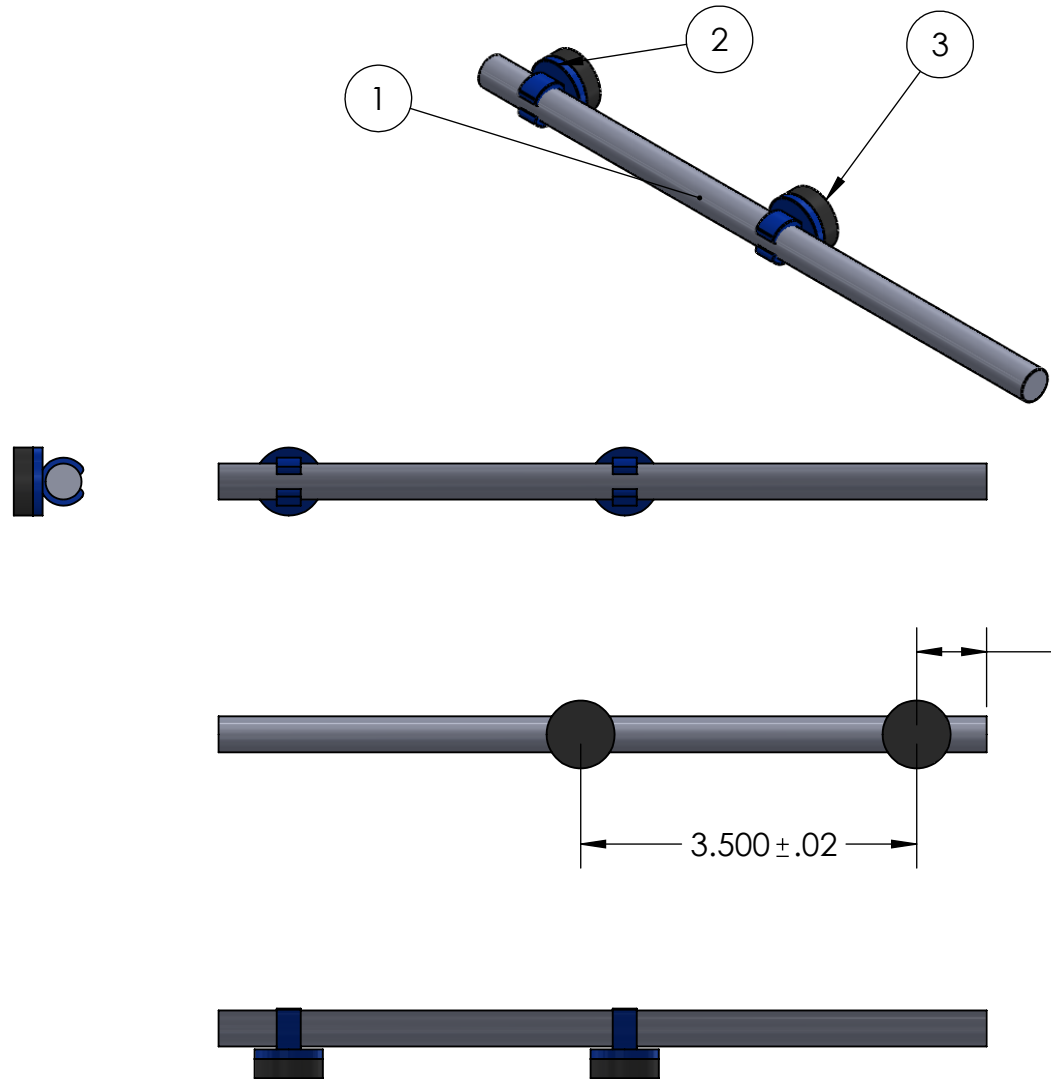


<b>PROPRIETARY AND CONFIDENTIAL</b> THE INFORMATION CONTAINED IN THIS DRAWING IS THE SOLE PROPERTY OF UNIVERSITY OF IDAHO, ME DEPARTMENT. ANY REPRODUCTION IN PART OR AS A WHOLE WITHOUT THE WRITTEN PERMISSION OF UNIVERSITY OF IDAHO, ME DEPARTMENT IS PROHIBITED.		DIMENSIONS ARE IN INCHES THIRD ANGLE PROJECTION 		<b>Top Block</b>	
		MATERIAL: Birch .25" plywood			
DEFAULT TOLERANCES:		DESCRIPTION: Press fit block peice to hold assembly togeather			
LINEAR: X. ± .25 X.X ± .1 X.XX ± .01 X.XXX ± .002	ANGULAR: X. ± 2 X.X ± 1 X.XX ± 0 30'	CHECKED BY:	DATE:	<b>UNIVERSITY OF IDAHO ME DEPARTMENT</b>	
		DRAWN BY: Richard Brock Baughman	DATE: 7/30/2019		
		FILE NAME: block piece 2.SLDPRT	SCALE: 1:1	SHEET: 10 OF 14	



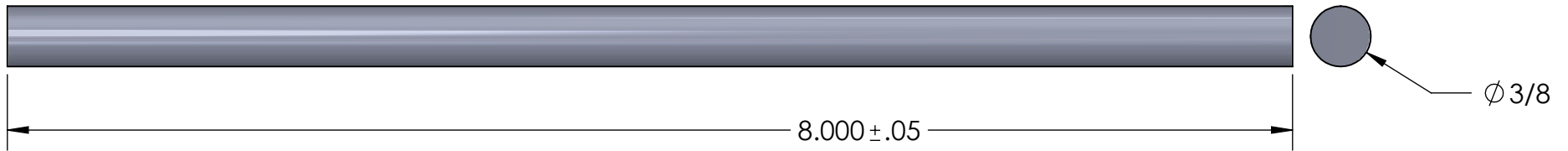
<b>PROPRIETARY AND CONFIDENTIAL</b> THE INFORMATION CONTAINED IN THIS DRAWING IS THE SOLE PROPERTY OF UNIVERSITY OF IDAHO, ME DEPARTMENT. ANY REPRODUCTION IN PART OR AS A WHOLE WITHOUT THE WRITTEN PERMISSION OF UNIVERSITY OF IDAHO, ME DEPARTMENT IS PROHIBITED.		DIMENSIONS ARE IN INCHES THIRD ANGLE PROJECTION		<b>PROJECT NAME</b>	
DEFAULT TOLERANCES:		DESCRIPTION: muscial triangle		MATERIAL: Rebar	
LINEAR:	ANGULAR:	CHECKED BY:	DATE:	<b>UNIVERSITY OF IDAHO ME DEPARTMENT</b>	
X. ± .25	X. ± 2	DRAWN BY: Richard Brock Baughman	DATE: 7/30/2019	PART #: 01-09	QTY: 1
X.X ± .1	X.X ± 1	FILE NAME: muscial Triangle.SLDPRT	SCALE: 1:3	SHEET: 11 OF 14	
X.XX ± .01	X.XX ± 0 30'				
X.XXX ± .002					

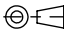
ITEM NO.	PART NUMBER	DESCRIPTION	QTY.
1	striker	Stricker used to hit Triangle	1
2	Striker Clip Rev2	Bracket to attach magnet	2
3	magnet	Flat Circle Magnets ID#31381300	2

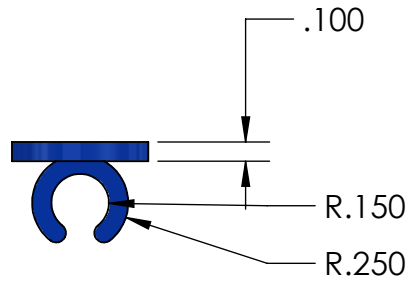
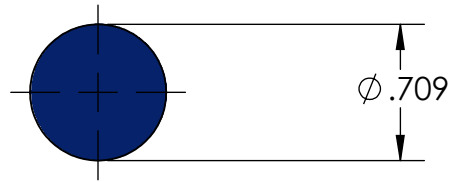


Magnet Attached using hot glue and Clip held in place using hot glue as needed

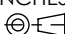
<b>PROPRIETARY AND CONFIDENTIAL</b> THE INFORMATION CONTAINED IN THIS DRAWING IS THE SOLE PROPERTY OF UNIVERSITY OF IDAHO, ME DEPARTMENT. ANY REPRODUCTION IN PART OR AS A WHOLE WITHOUT THE WRITTEN PERMISSION OF UNIVERSITY OF IDAHO, ME DEPARTMENT IS PROHIBITED.		DIMENSIONS ARE IN INCHES THIRD ANGLE PROJECTION		PROJECT NAME	
DEFAULT TOLERANCES:		DESCRIPTION: Striker assembly attachment		UNIVERSITY OF IDAHO ME DEPARTMENT	
LINEAR: X. ± .25 X.X ± .1 X.XX ± .01 X.XXX ± .002	ANGULAR: X. ± 2 X.X ± 1 X.XX ± 0 30'	CHECKED BY: XXXXXXXXXX	DATE: XX/XX/XX	PART #: 02-00	QTY:
		DRAWN BY:		DATE: 7/30/2019	
		FILE NAME: Striker assembly.SLDprt		SCALE: 1:2	SHEET: 12 OF 14



<b>PROPRIETARY AND CONFIDENTIAL</b> THE INFORMATION CONTAINED IN THIS DRAWING IS THE SOLE PROPERTY OF UNIVERSITY OF IDAHO, ME DEPARTMENT. ANY REPRODUCTION IN PART OR AS A WHOLE WITHOUT THE WRITTEN PERMISSION OF UNIVERSITY OF IDAHO, ME DEPARTMENT IS PROHIBITED.		DIMENSIONS ARE IN INCHES THIRD ANGLE PROJECTION 		<b>PROJECT NAME</b>	
DEFAULT TOLERANCES:		DESCRIPTION: Stricker used to hit Triangle		<b>UNIVERSITY OF IDAHO ME DEPARTMENT</b>	
LINEAR: X. ± .25 X.X ± .1 X.XX ± .01 X.XXX ± .002	ANGULAR: X. ± 2 X.X ± 1 X.XX ± 0 30'	CHECKED BY: XXXXXXXXXX	DATE: XX/XX/XX	PART #: 02-01	QTY:
MATERIAL: 303 SS Alloy		DRAWN BY:	DATE: 7/30/2019	SCALE: 1:1	SHEET: 13 OF 14
		FILE NAME: striker.SLDPR			



3D Print use Linear tolerance

<b>PROPRIETARY AND CONFIDENTIAL</b> THE INFORMATION CONTAINED IN THIS DRAWING IS THE SOLE PROPERTY OF UNIVERSITY OF IDAHO, ME DEPARTMENT. ANY REPRODUCTION IN PART OR AS A WHOLE WITHOUT THE WRITTEN PERMISSION OF UNIVERSITY OF IDAHO, ME DEPARTMENT IS PROHIBITED.		DIMENSIONS ARE IN INCHES THIRD ANGLE PROJECTION 		<b>PROJECT NAME</b>	
DEFAULT TOLERANCES:		DESCRIPTION: Bracket to attach magnet		<b>UNIVERSITY OF IDAHO ME DEPARTMENT</b>	
LINEAR: X. ± .25 X.X ± .1 X.XX ± .01 X.XXX ± .002	ANGULAR: X. ± 2 X.X ± 1 X.XX ± 0 30'	CHECKED BY: XXXXXXXXXXXX	DATE: XX/XX/XX	PART #: 01-10	QTY:
		DRAWN BY:		DATE: 7/30/2019	SCALE: 1:1
		FILE NAME: Striker Clip Rev2.SLDPRT		SHEET: 14 OF 14	
		MATERIAL: plastic			