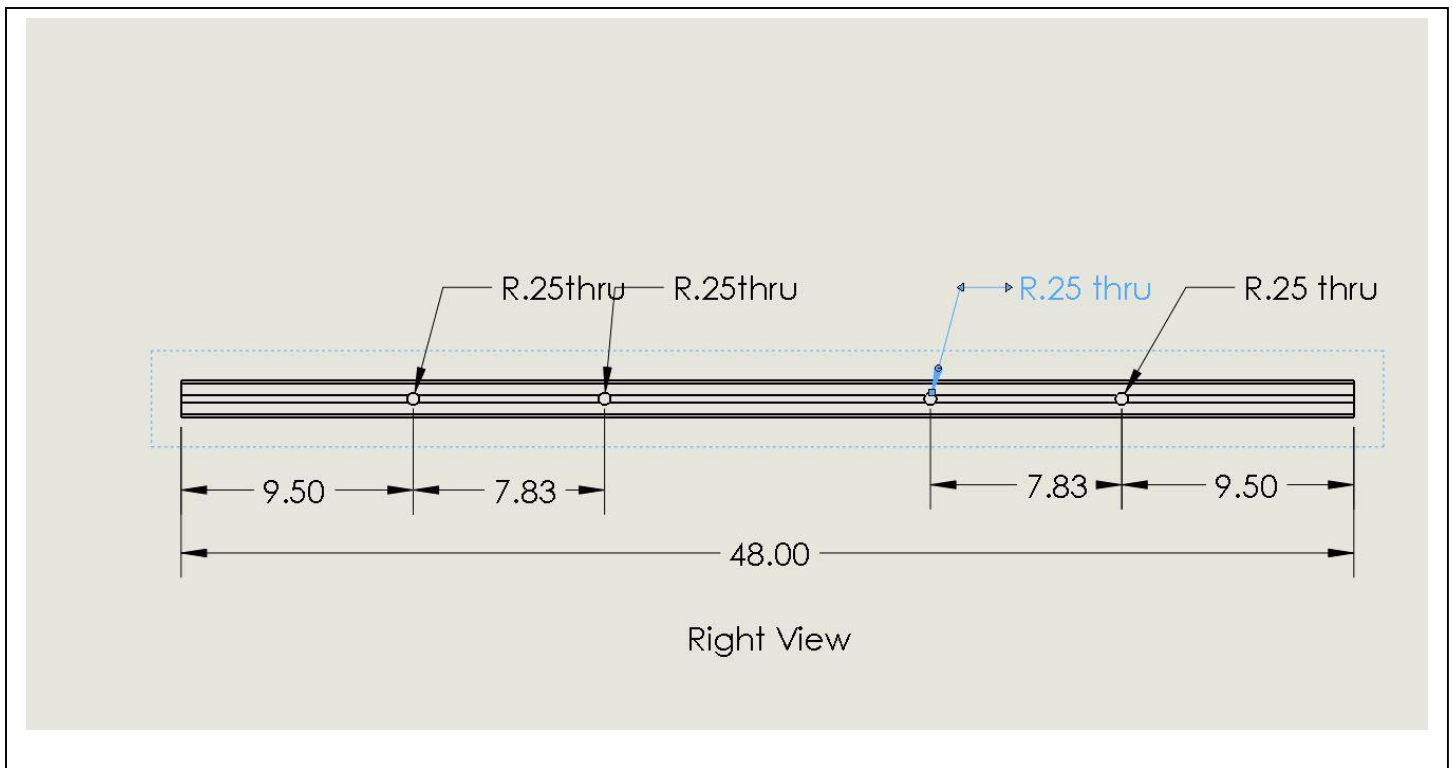


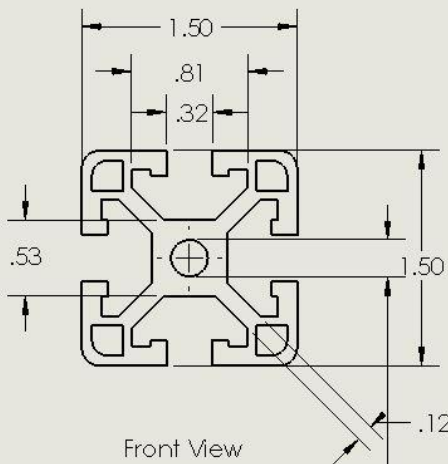
Part Number:	Quantity: 2	Material: 8020 Aluminum T-Slot 4' Solid	Manufacturing Date:
Part Name: Seat Horizontal Components		Stock: 1.5'x1.5'x4' T-Slot Chunk	
Part Description: Seat side of the simulator			

Operation #	Machine Description	Operation Description	Tool Type	Cycle Time
1	Manual Mill	Drill 0.5 Holes for seats	½ Drill Bit	
2	Choose Machine			
3	Choose Machine			
4	Choose Machine			
5	Choose Machine			
6	Choose Machine			
7	Choose Machine			
8	Choose Machine			
9	Choose Machine			
10	Choose Machine			

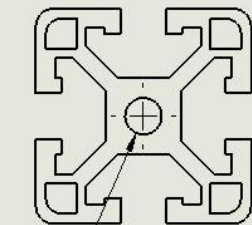


Part Number: 1515-LITE	Quantity: 5	Material: 8020 Aluminum T-Slot 4'	Manufacturing Date:
Part Name: Horizontal Components		Stock: 1.5'x1.5'x4' T-Slot Chunk	
Part Description: Back side of the simulator			

Operation #	Machine Description	Operation Description	Tool Type	Cycle Time
1	Tapping	Tapping two bottom holes for Phillips 3/8 - 16 x 2"	3/8 -16 x 2 tapping screw	
2	Choose Machine			
3	Choose Machine			
4	Choose Machine			
5	Choose Machine			
6	Choose Machine			
7	Choose Machine			
8	Choose Machine			
9	Choose Machine			
10	Choose Machine			



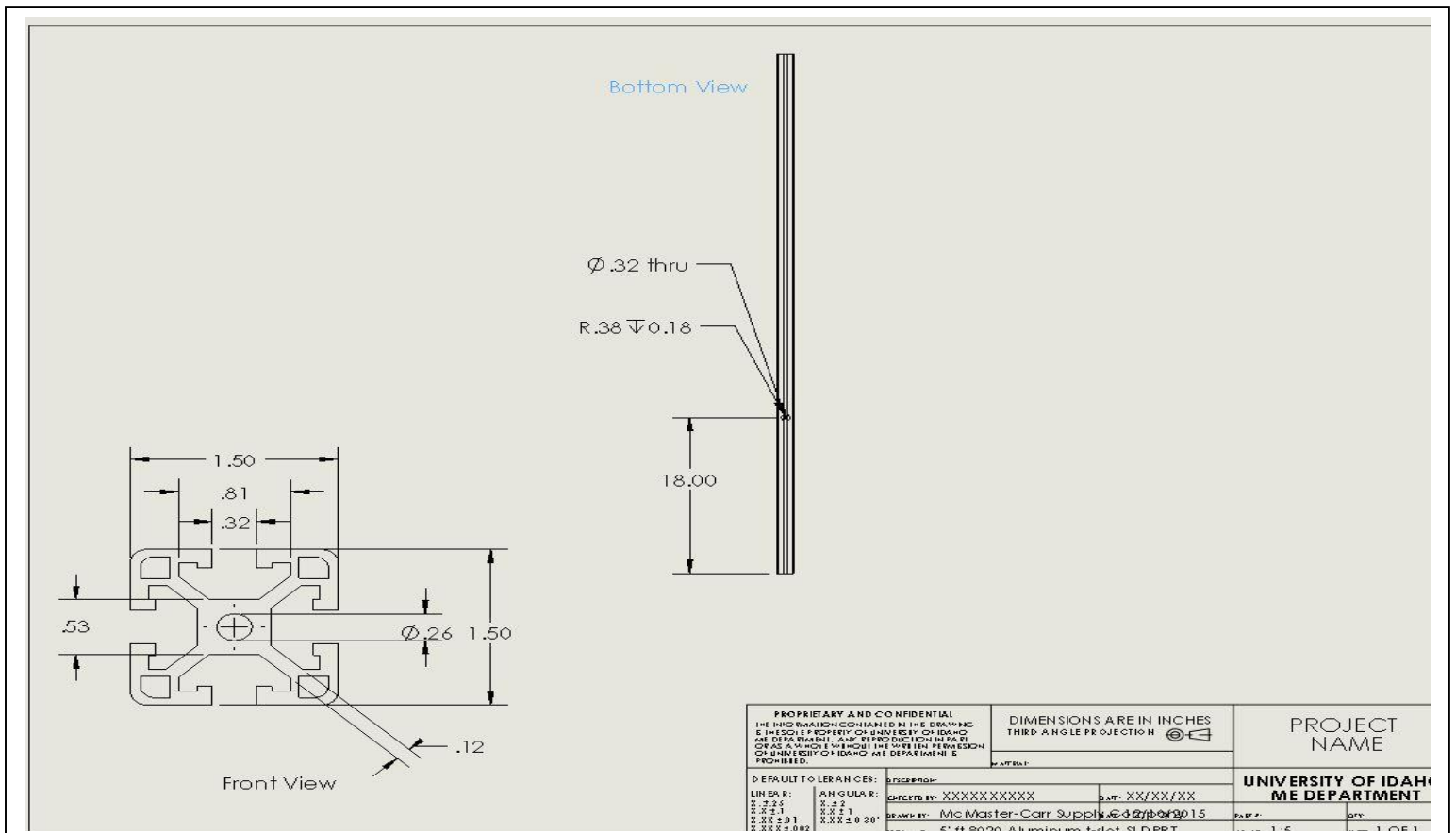
Tap for Phillips 3/8 -16 x 2"



Tap for Phillips 3/8 -16 x 2"

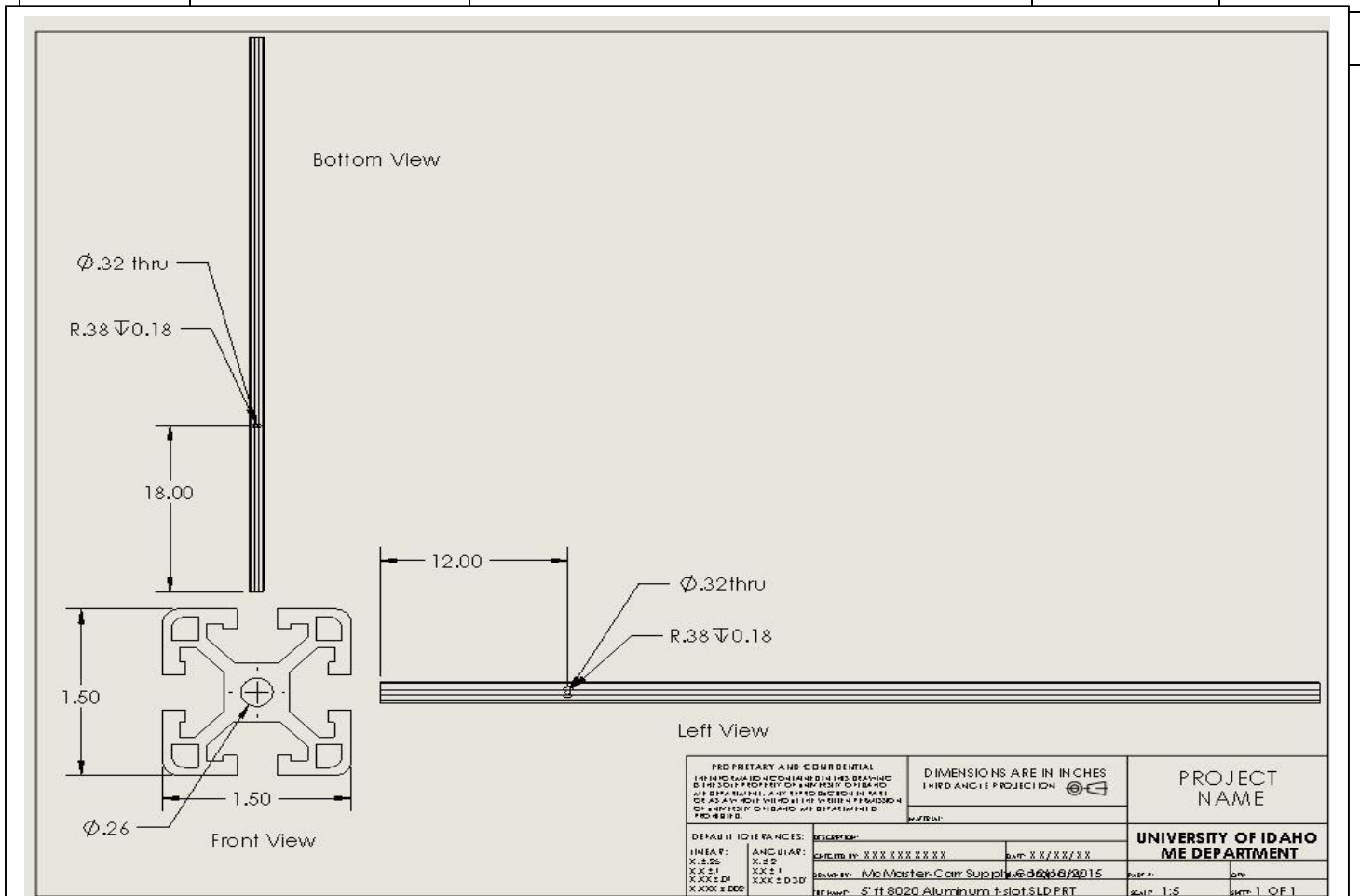
Part Number:	Quantity: 2	Material: 8020 Aluminum T-Slot 5' Solid	Manufacturing Date:
Part Name: Vertical Components		Stock: 1.5'x1.5'x5' T-Slot Chunk	
Part Description: Back side of the simulator			

Operation #	Machine Description	Operation Description	Tool Type	Cycle Time
1	Manual Mill	Drill a 0.316" bottom side 18" from bottom edge – thru all	Size O	
2	Manual Mill	Drill 0.75" bottom side 18" from bottom edge – 0.17" deep	3/4" End Mill	
3	Choose Machine			
4	Choose Machine			
5	Choose Machine			
6	Choose Machine			
7	Choose Machine			
8	Choose Machine			
9	Choose Machine			
10	Choose Machine			



Part Number:	1	Material: 8020 Aluminum T-Slot 5' Solid	Manufacturing Date:
Part Name: Vertical Components		Stock: 1.5'x1.5'x5' T-Slot Chunk	
Part Description: Front side of the simulator			

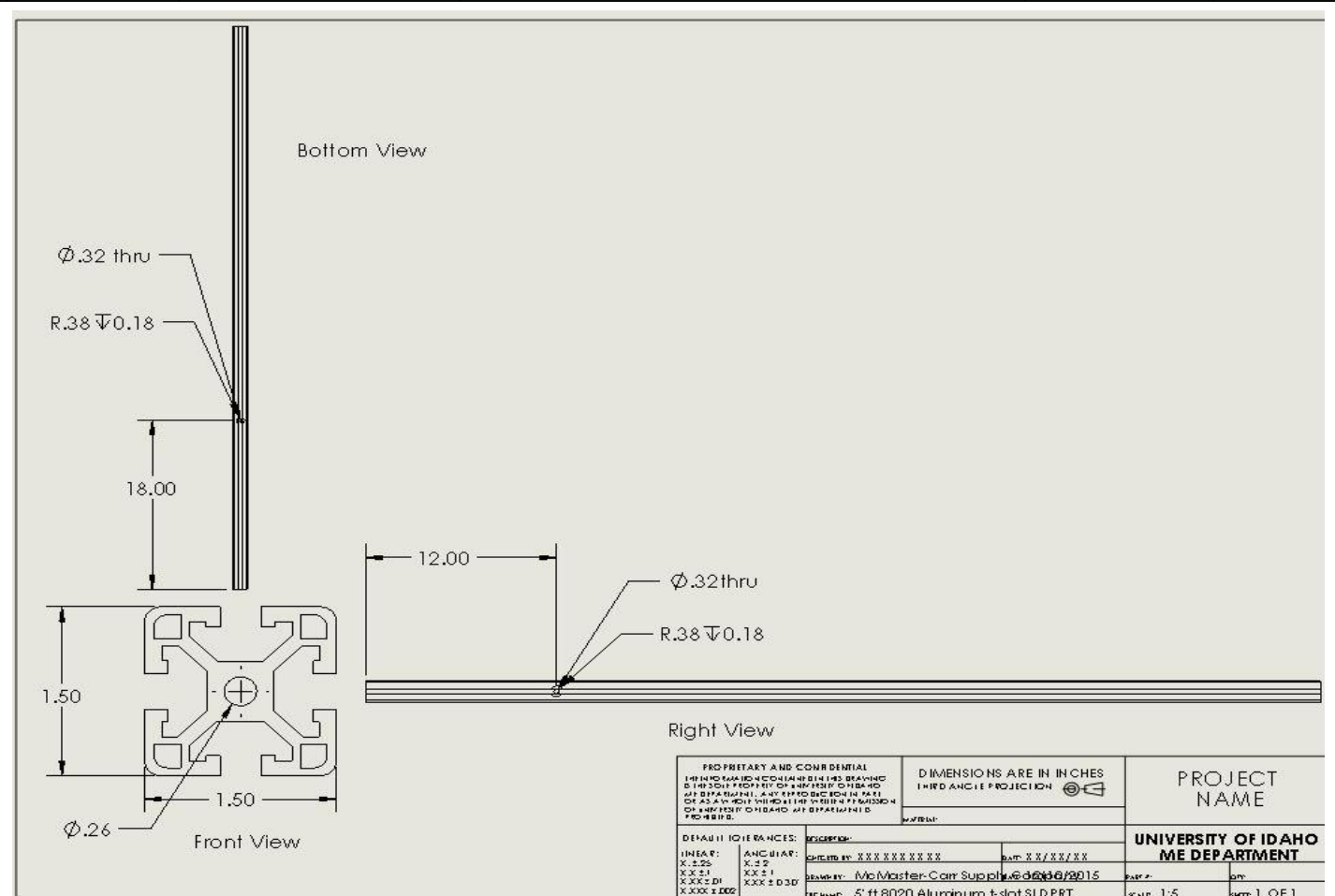
Operation #	Machine Description	Operation Description	Tool Type	Cycle Time
1	Manual Mill	Drill a 0.316" left side 12" from right edge – thru all	Size O	
2	Manual Mill	Drill a 0.316" bottom side 18" from bottom edge – thru all	Size O	
3	Manual Mill	Drill 0.75" left side 12" from right edge - 0.18" deep	3/4" End Mill	
4	Manual Mill	Drill 0.75" bottom side 18" from bottom edge – 0.18" deep	3/4" End Mill	
5	Choose Machine			
6	Choose Machine			
7	Choose Machine			
8	Choose Machine			
9	Choose Machine			



<small>PROPRIETARY AND CONFIDENTIAL THIS DRAWING IS THE PROPERTY OF ANIR GROUP CORP. AND IS NOT TO BE REPRODUCED OR TRANSMITTED IN ANY FORM OR BY ANY MEANS, ELECTRONIC OR MECHANICAL, INCLUDING PHOTOCOPYING, RECORDING, OR BY ANY INFORMATION STORAGE AND RETRIEVAL SYSTEM. UNLESS OTHERWISE SPECIFIED.</small>		<small>DIMENSIONS ARE IN INCHES THIRD ANGLE PROJECTION</small>	PROJECT NAME
<small>DETAIL TOLERANCES:</small> FINISH: X.25 XXX.51 XXX.01 XXX.002	<small>DESCRIPTION:</small> ANCHOR: X.22 XXX.51 XXX.01 XXX.002	<small>DATE: XX/XX/XX</small> DRAWN BY: XXXXXXXXXXXX CHECKED BY: McMaster-Carr Supply @ 2016/09/15 PART #: 5' 11 8020 Aluminum t-slot.SLD.PRT	UNIVERSITY OF IDAHO ME DEPARTMENT <small>SCALE: 1:5</small> <small>SHEET: 1 OF 1</small>

Part Number:	1	Material: 8020 Aluminum T-Slot 5' Solid	Manufacturing Date:
Part Name: Vertical Components		Stock: 1.5'x1.5'x5' T-Slot Chunk	
Part Description: Front side of the simulator			

Operation #	Machine Description	Operation Description	Tool Type	Cycle Time
1	Manual Mill	Drill a 0.316" right side 12" from left edge – thru all	Size O	
2	Manual Mill	Drill a 0.316" bottom side 18" from bottom edge – thru all	Size O	
3	Manual Mill	Drill 0.75" right side 12" from left edge - 0.18" deep	3/4" End Mill	
4	Manual Mill	Drill 0.75" bottom side 18" from bottom edge – 0.18" deep	3/4" End Mill	
5	Choose Machine			
6	Choose Machine			
7	Choose Machine			
8	Choose Machine			
9	Choose Machine			



Part Number:	Quantity: 2	Material: 8020 Aluminum T-Slot 3' Solid	Manufacturing Date:
Part Name: Seat Vertical Components		Stock: 1.5'x1.5'x3' T-Slot Chunk	
Part Description: Front side of the simulator			

Operation #	Machine Description	Operation Description	Tool Type	Cycle Time
1	Manual Mill	Drill a 0.316" right side 9" from right edge – thru all	Size O	
2	Manual Mill	Drill 0.75" right side 10.75" from right edge - 0.18" deep	3/4" End Mill	
3	Tapping	Tap both ends for Phillips 3/8 -16 x 2"	3/8 -16 x 2" tap screw	
4	Choose Machine			
5	Choose Machine			
6	Choose Machine			
7	Choose Machine			
8	Choose Machine			
9	Choose Machine			

