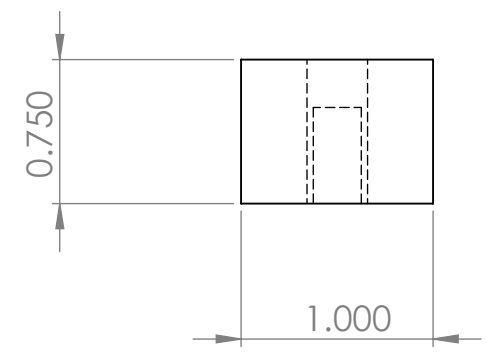
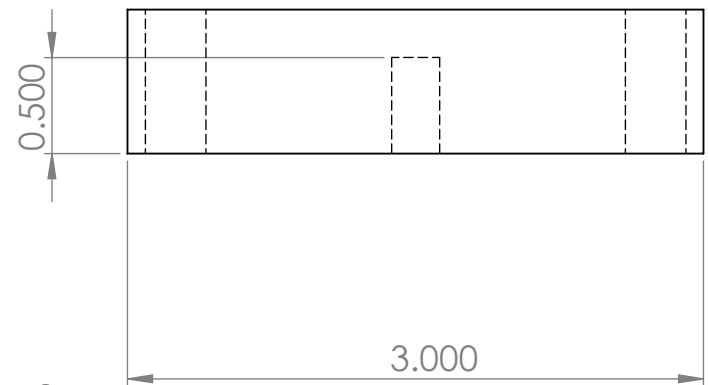
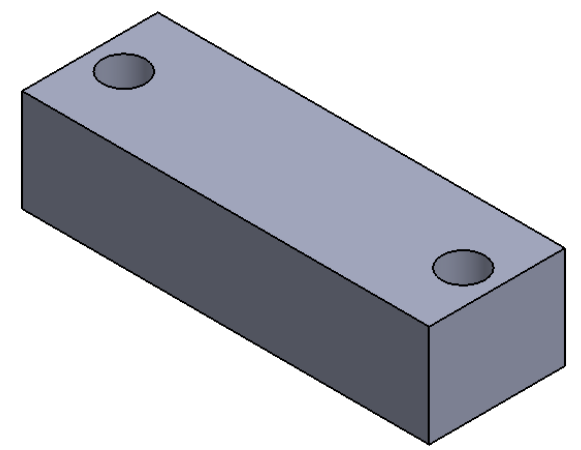
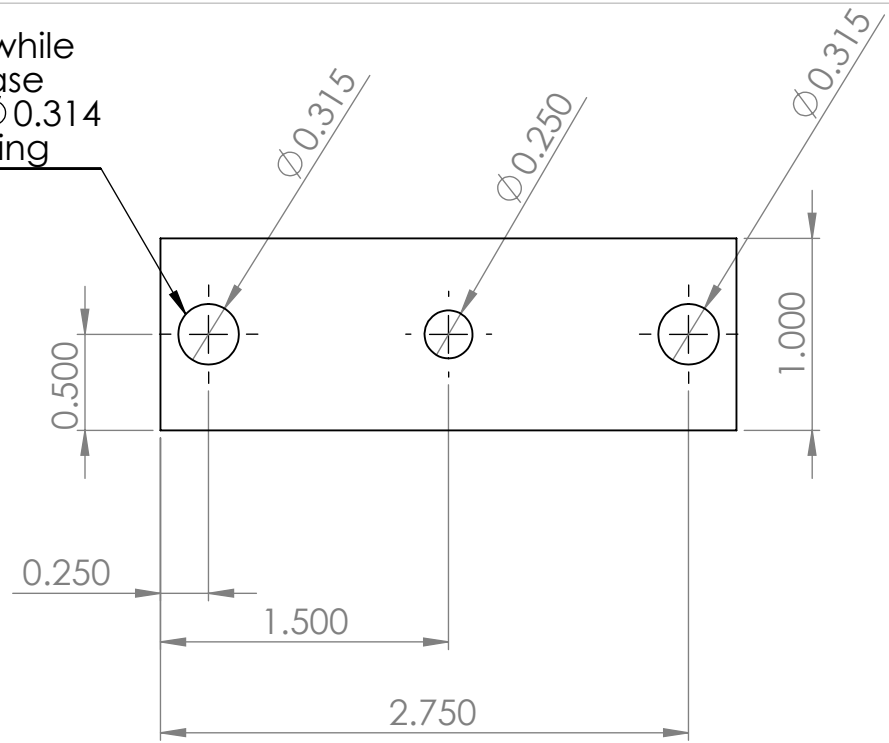


Drill to  $\varnothing 0.183$  while  
clamped to base  
Then ream to  $\varnothing 0.314$   
to press fit bushing



**SolidWorks Student Edition.  
For Academic Use Only.**

top drawing		REV
SCALE: 1:1	WEIGHT:	SHEET 1 OF 1