

---

# LAB2

---

ECE444/544



# Introduction

In ECE444/544 lab 2, it's intended to let students learn the spanning tree topology.

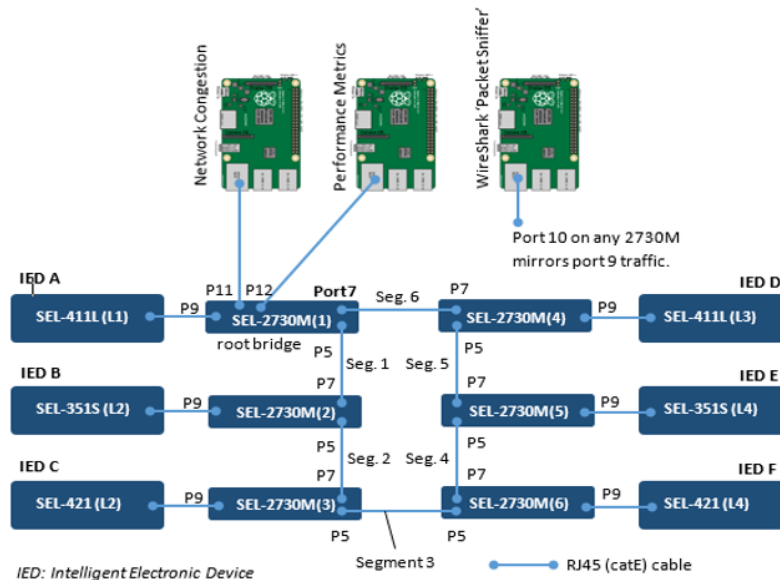


Figure 1: Physical Connection of Looped Topology

In mininet, we follow the scheme above to draw the layout.

## Procedure

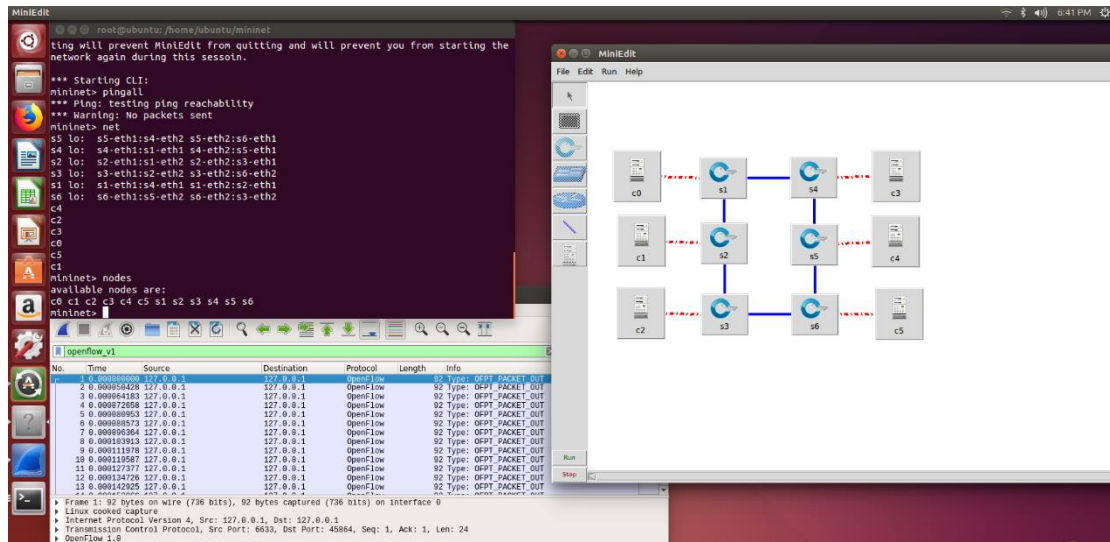
1. Draw the layout and run it.

You can set up the data as I used to do in lab 0.

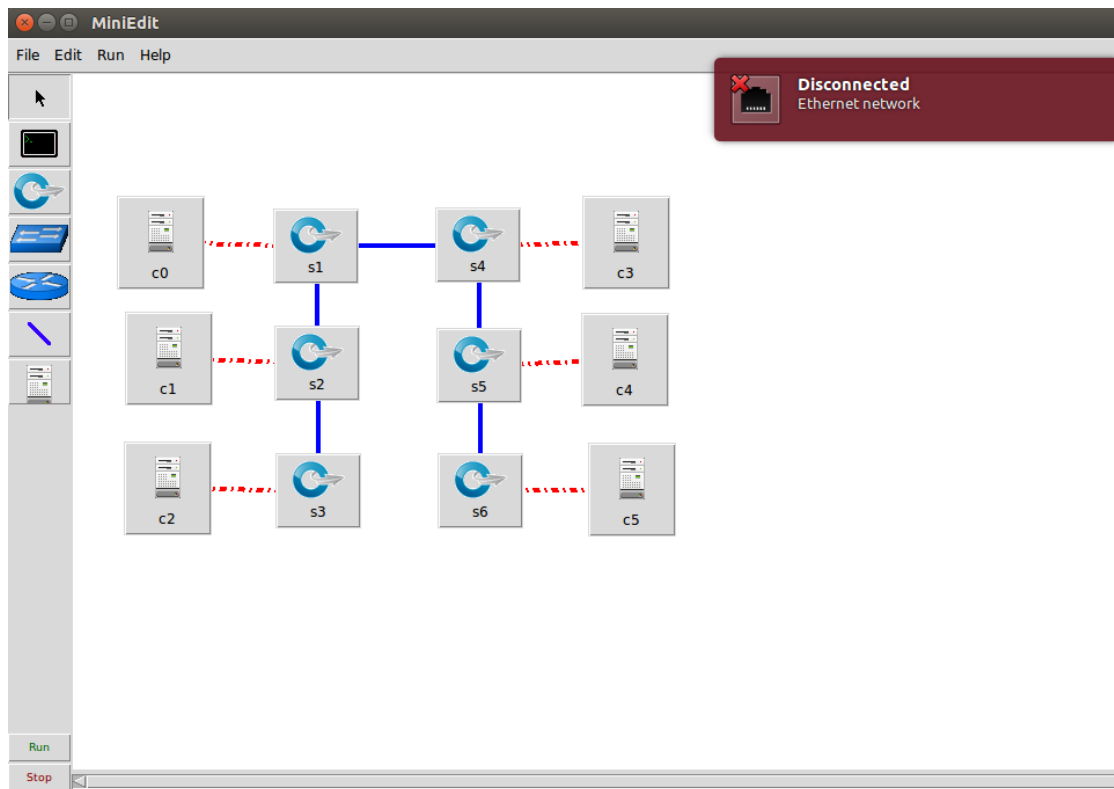
For this time, there is no need to run the ryu. Because no host exists.

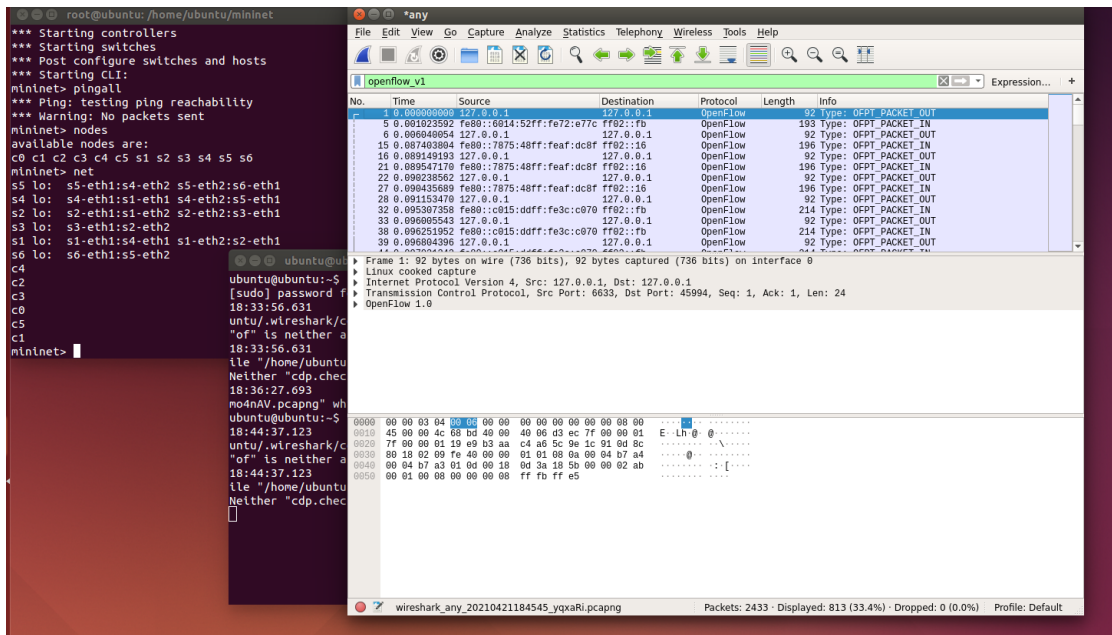
Then we run it and check the network traffic in wireshark.

Here is the result.



2. We intentionally cut one connection, and observe what's the results.





# Summary

- I don't think mininet shows the principle of the spanning tree topology. Because I didn't see a repaired path for the whole system.
- The data in wireshark is unknown to me. You are in the ECE444/544 course. So, you might understand these.
- I strongly recommend you to do the network topology labs in the UI lab instead of operating the mininet only.