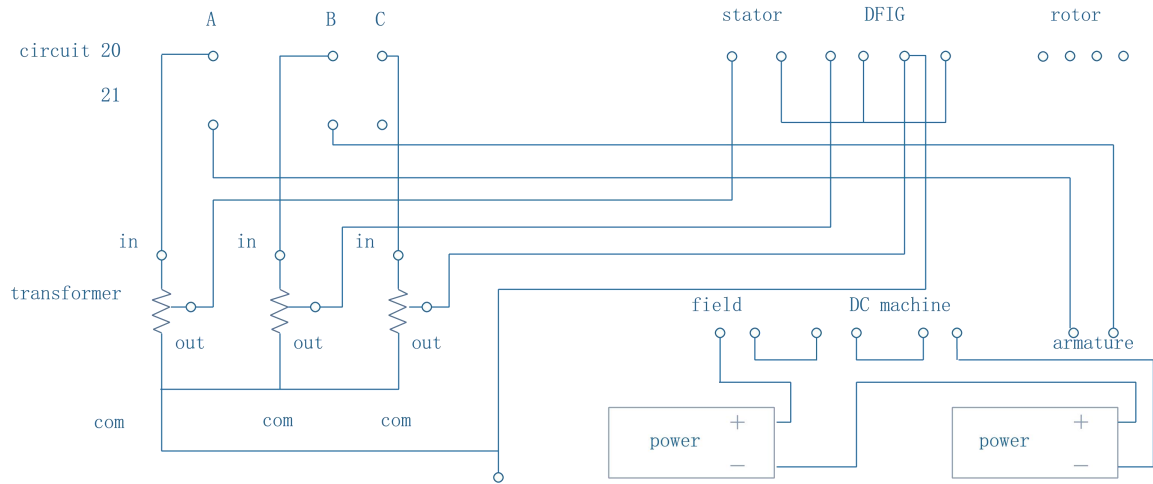
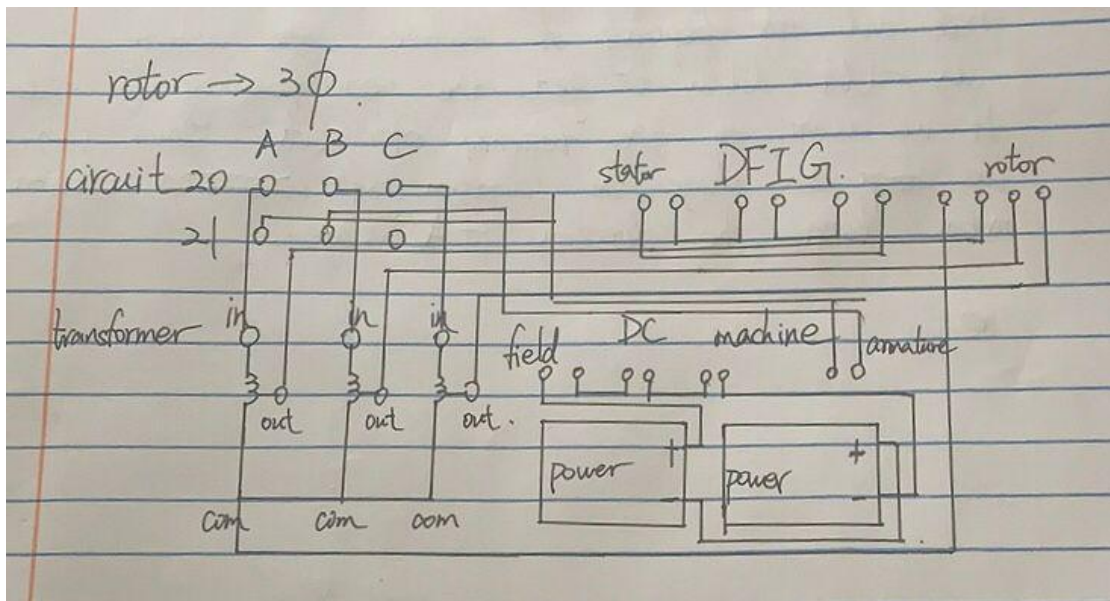


DFIG and DC machine

$$W_s - W_r = W_m$$



We can change the field current and field control to change the frequency of machine. The frequency of stator is constant. We can change the speed of the machine then know the frequency of machine and rotor.



If rotor becomes 3 phase. The frequency of rotor is constant(6Hz). We still can change the field control and field current to change the speed and the frequency of machine, the frequency of stator. We can change the direction of rotation. It also means change the direction of AC voltage.