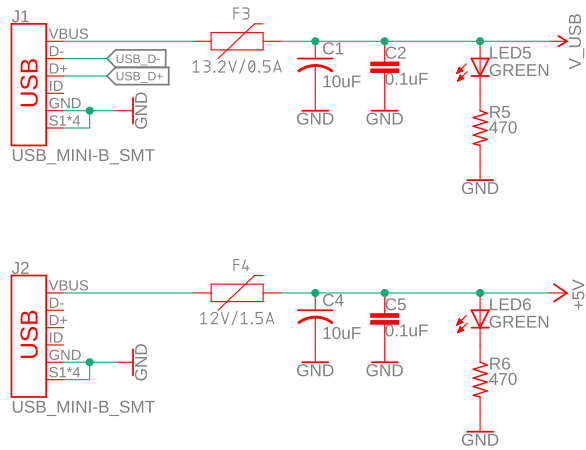
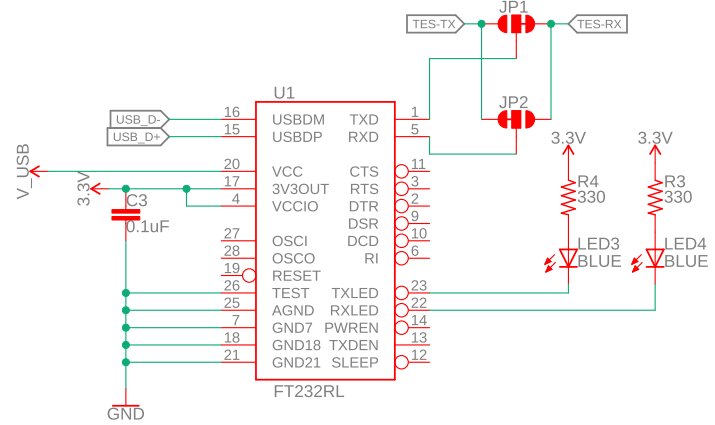


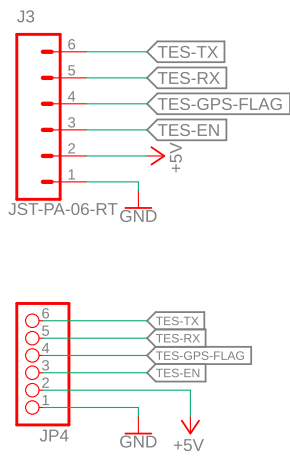
USB Ports



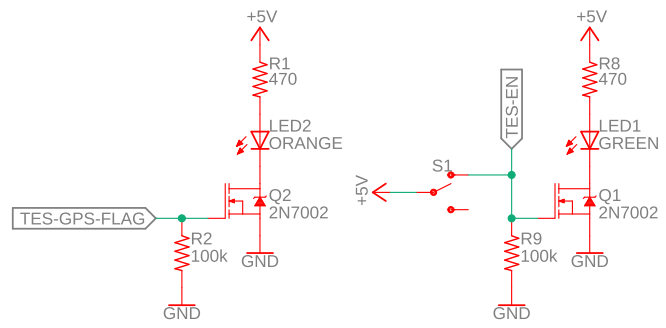
FT232



Connectors



Indicator LEDs



TITLE: TES Bus USB Adapter		REV: 1
Document Author:	Avery Brock	
Date: 2/1/2019 9:29 PM	Sheet: 1/1	