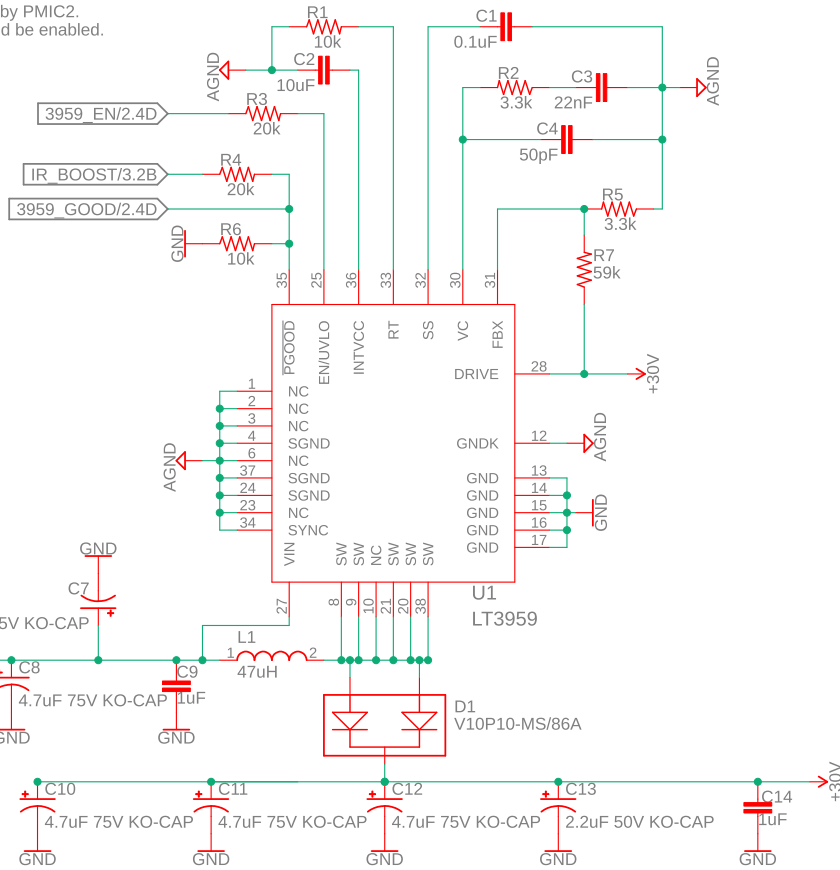


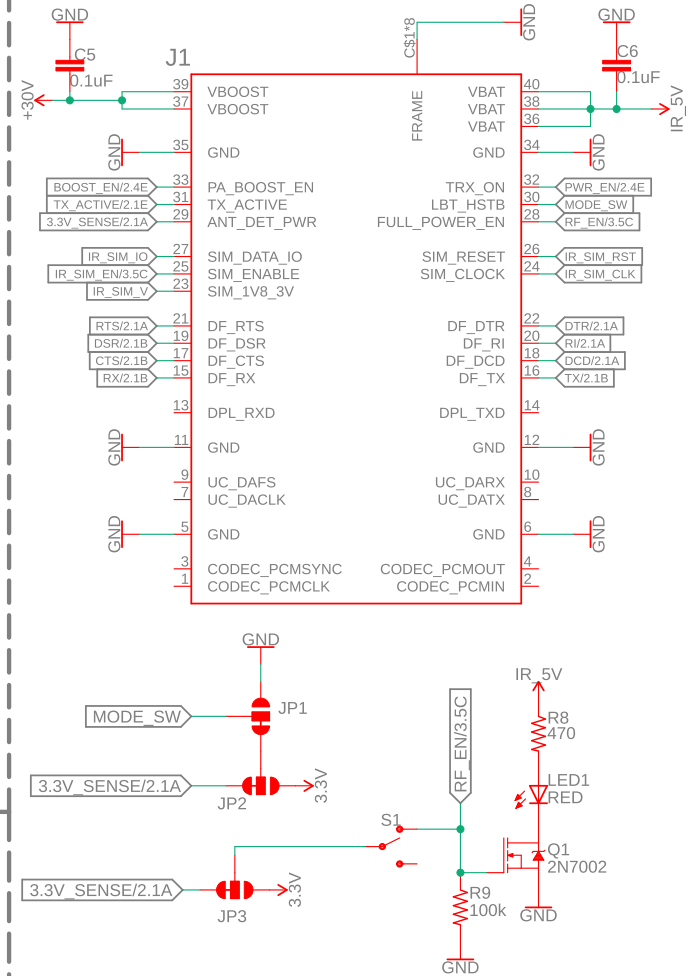
LT3959 Boost

Boost converter fed by PMIC2.
Must have power and be enabled.

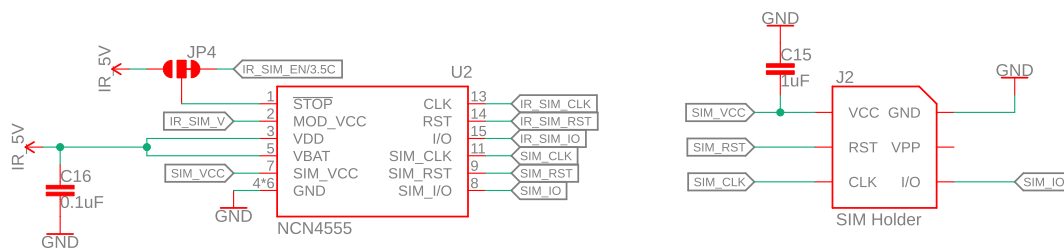


Iridium 9523 and GPIO

5VDC supply fed by PMIC1.
Must have power and be enabled.
Follow Iridium Manual for timing requirements.



SIM NCN4555 and Card Holder



TITLE: Iridium Carrier		REV: 1
Document Author: Avery Brock		
Date: 2/1/2019 11:20 PM	Sheet: 1/3	

