

Research:

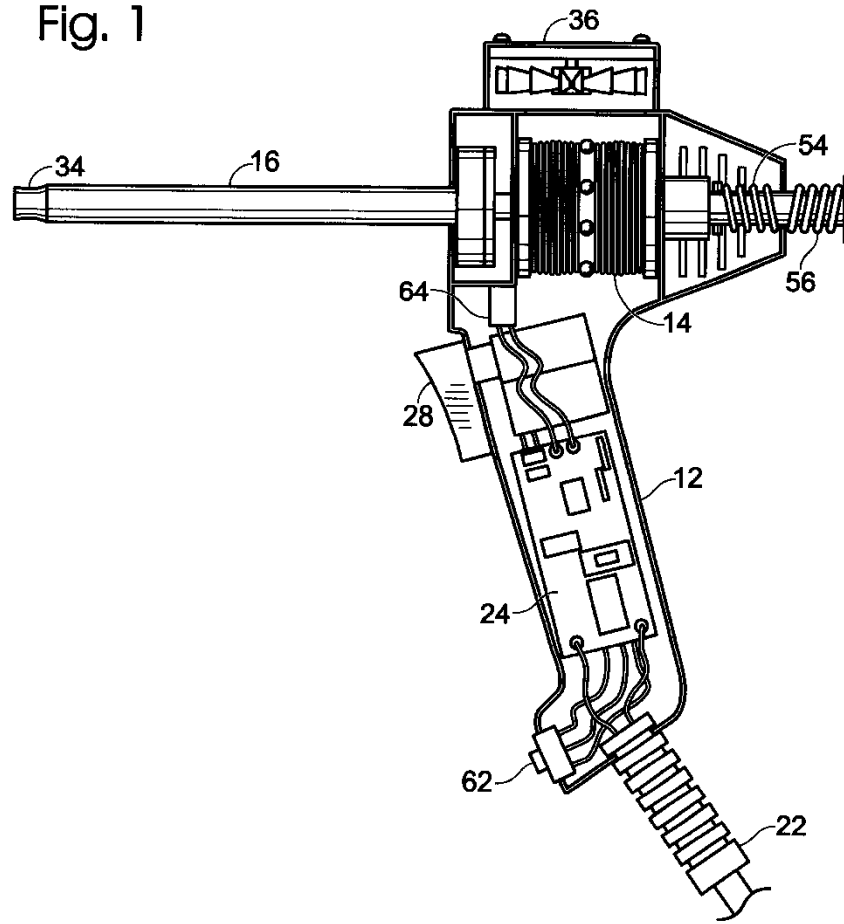
- Theragun Elite mechanics could be used to create linear actuation
- Uses brushless QX65 Motor with QuietForce Technology
 - Delivers 40lbs of no-stall force
- 120 Minute Battery Life
- Quieter than Sonicare Toothbrush
- Variable speed between 1750-2400 rpm with 5 built in speeds at 1750, 1900, 2100, 2200, 2400 percussions per minute
- Built to breakdown scar tissue
- Photos of device:





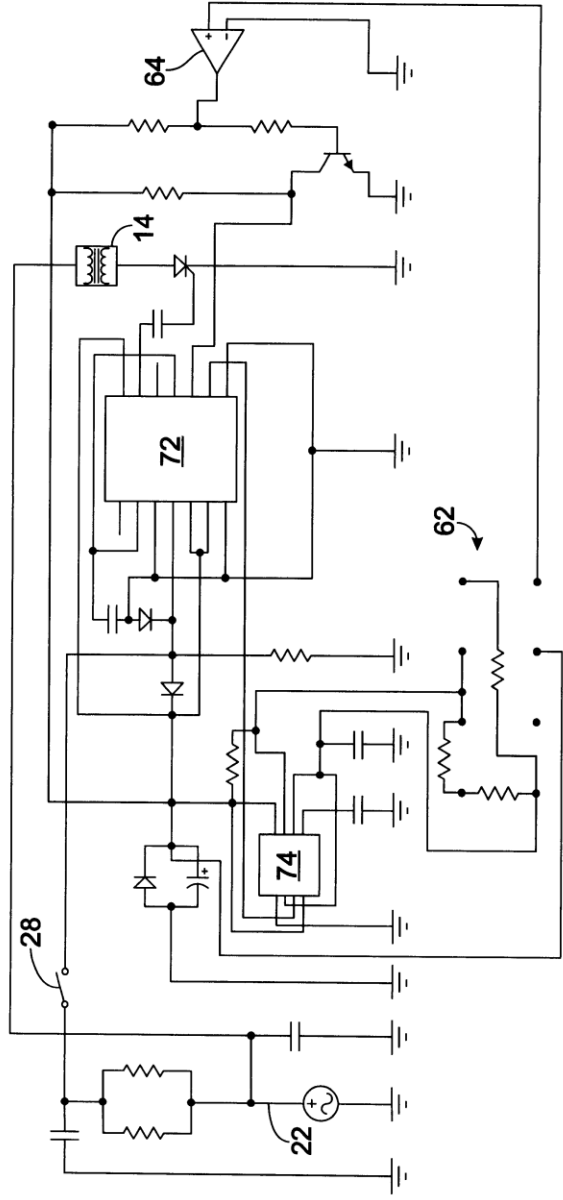
- Percussive Therapy Device Patent: Miller
 - Schematic:

Fig. 1

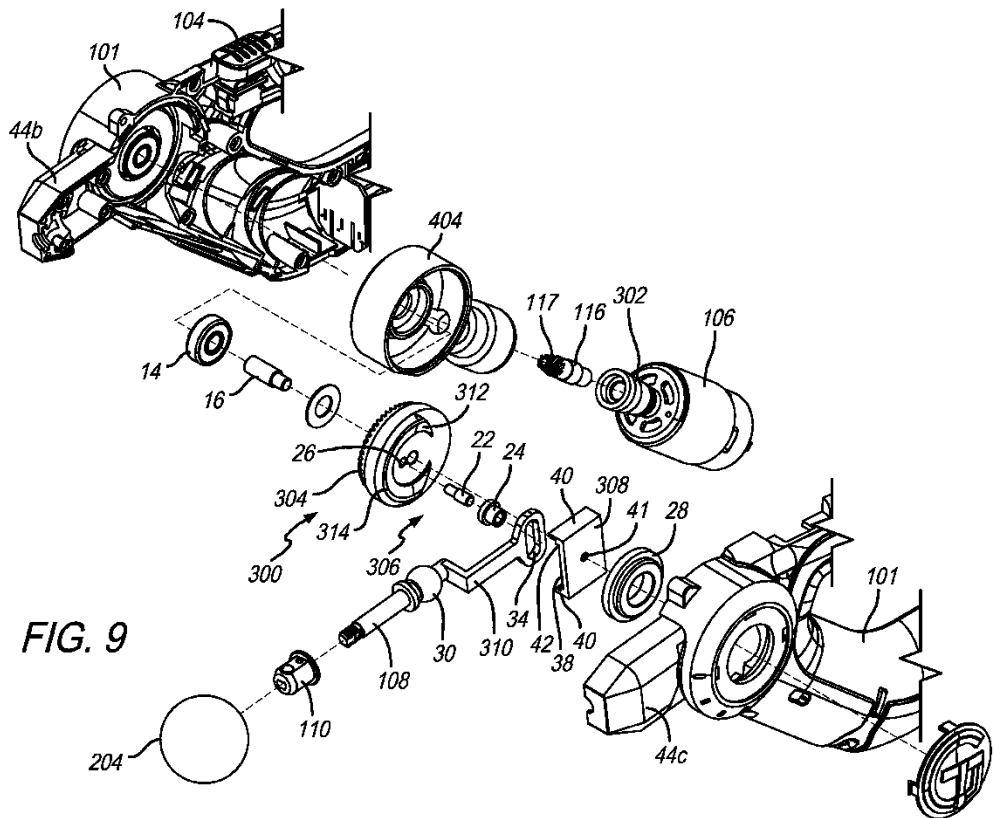
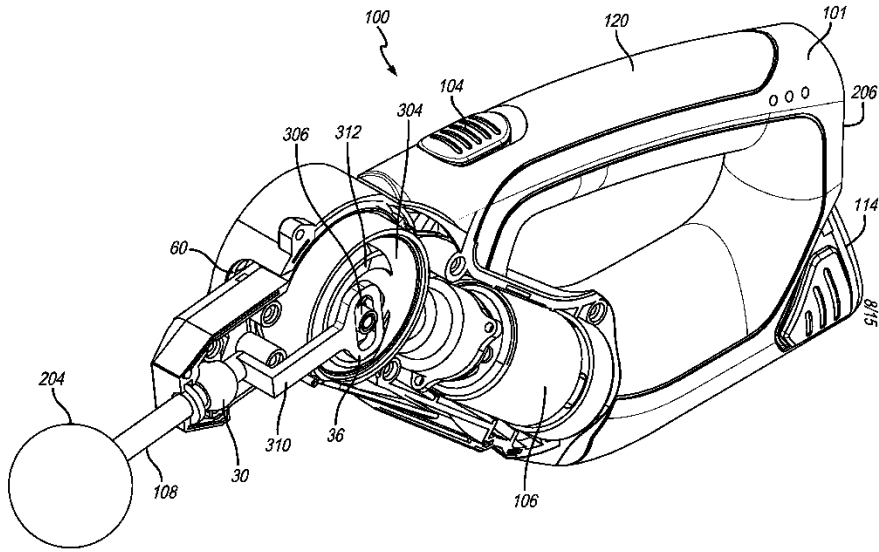


○ Circuit:

Fig. 2



- <https://patents.google.com/patent/US6663657B1/en>
- Theragun Patent:
 - Schematics:



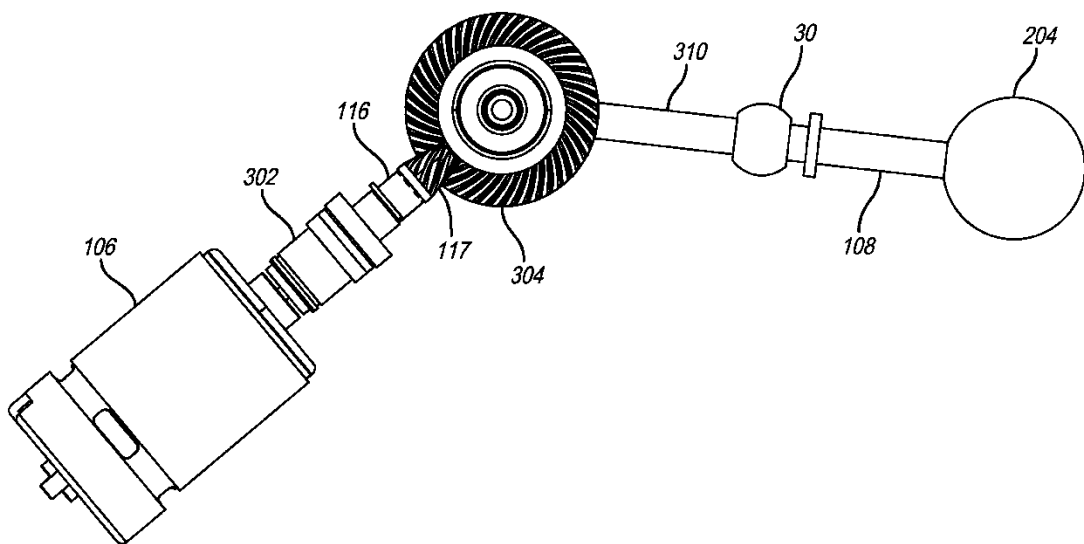


FIG. 10

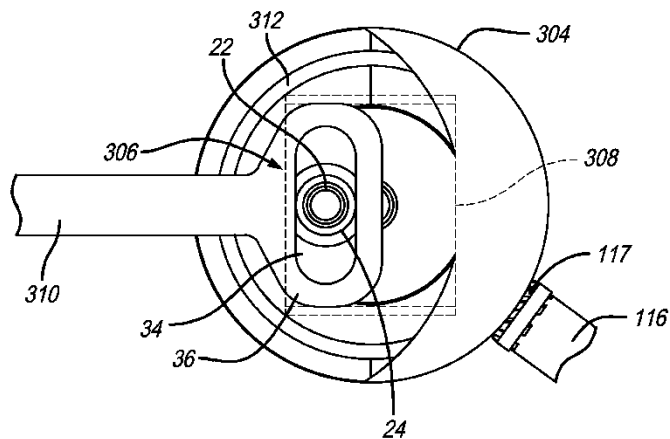


FIG. 11A

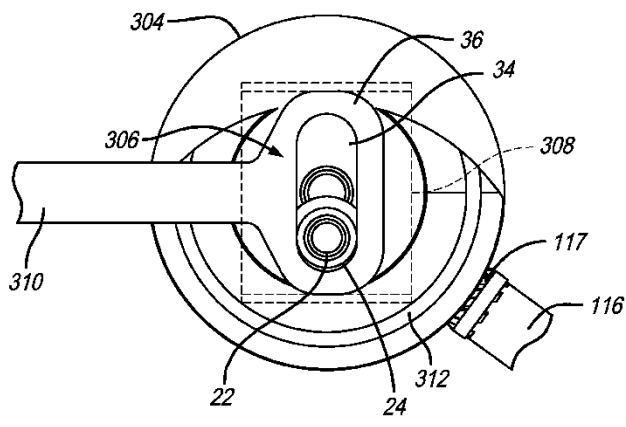


FIG. 11B

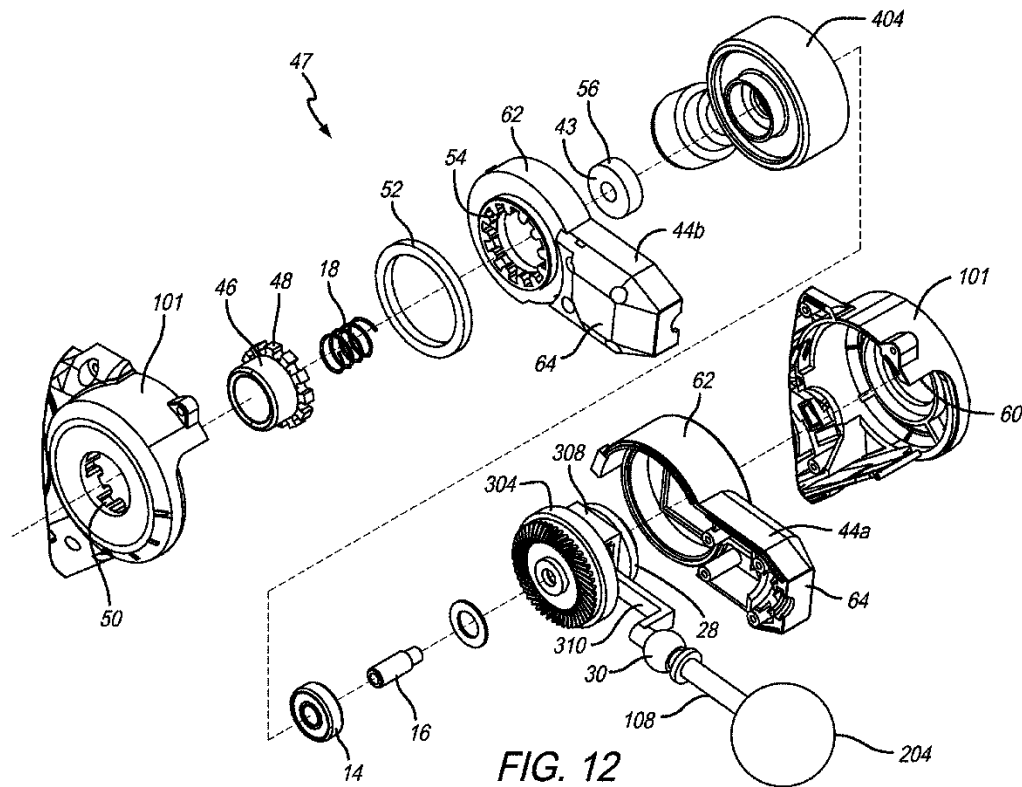


FIG. 12

- [https://patents.google.com/patent/US10357425B2/en?assignee=theragun&oq=the ragun](https://patents.google.com/patent/US10357425B2/en?assignee=theragun&oq=the+ragun)
- [https://patents.google.com/patent/US10702448B2/en?assignee=theragun&oq=the ragun&page=2](https://patents.google.com/patent/US10702448B2/en?assignee=theragun&oq=the+ragun&page=2)
- <https://patents.google.com/patent/US20200405574A1/en?assignee=theragun&oq=theragun&page=3>
- [https://patents.google.com/patent/US10857064B2/en?assignee=theragun&oq=the ragun&page=3](https://patents.google.com/patent/US10857064B2/en?assignee=theragun&oq=the+ragun&page=3)
- Percussive Massage Device: Cheng
 - Schematics:

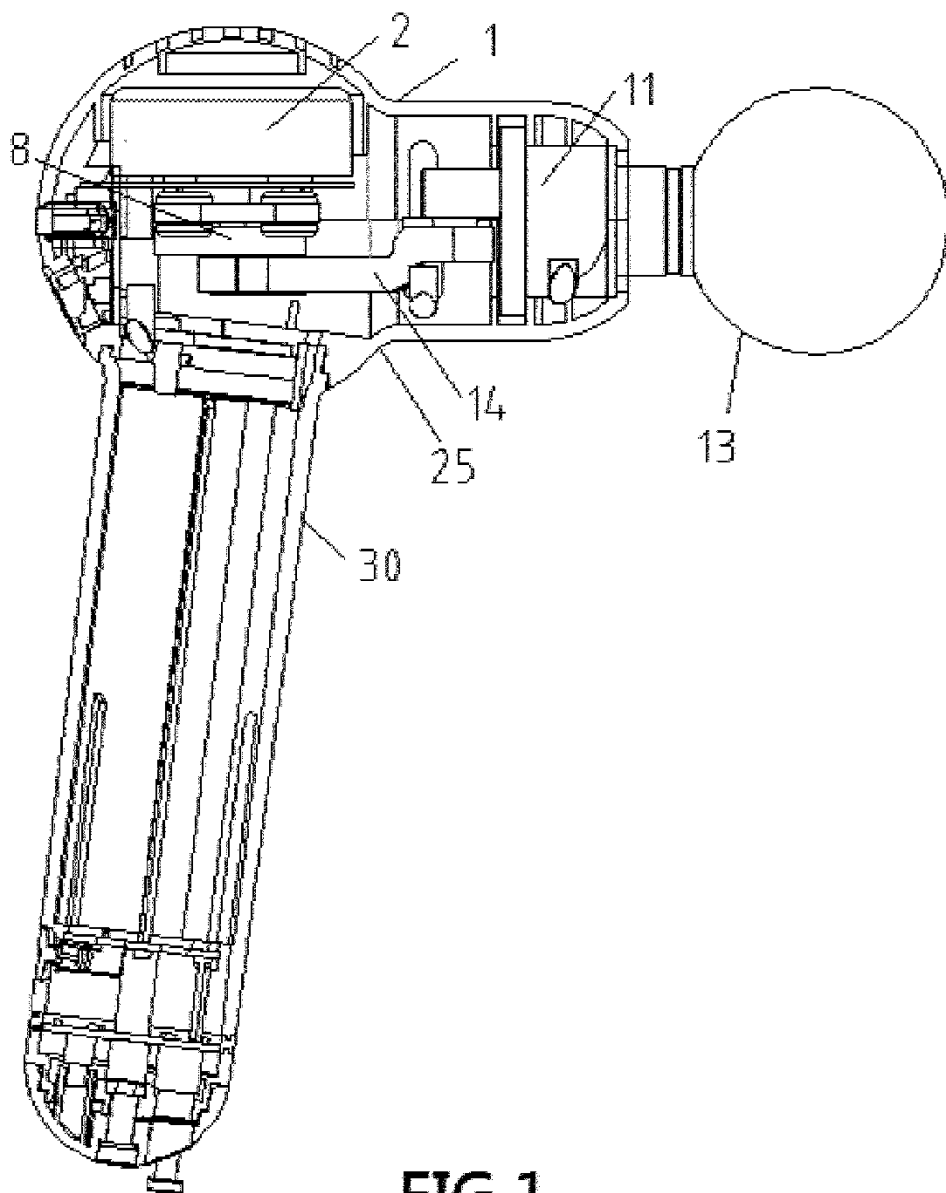


FIG.1

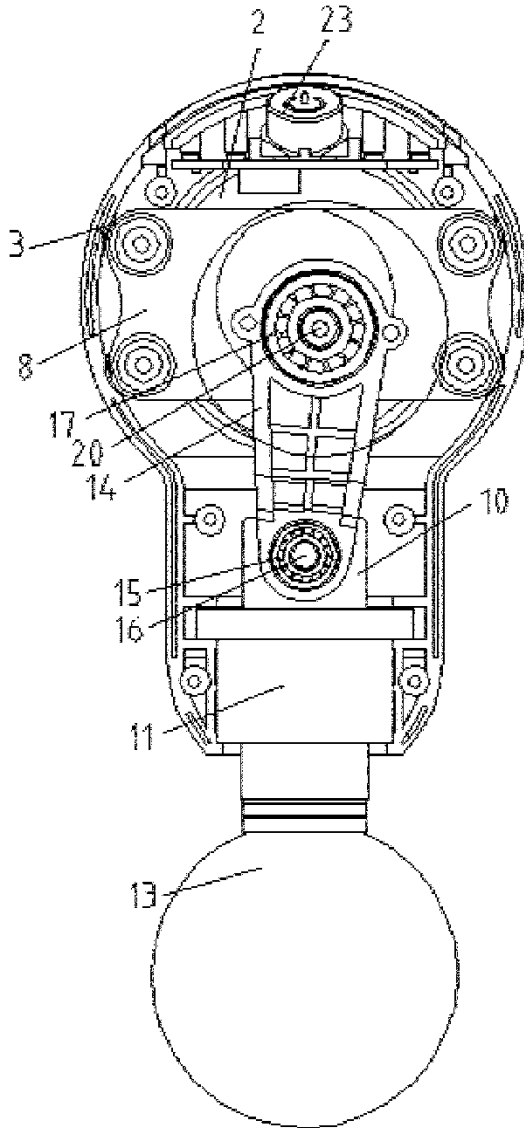


FIG. 3

- <https://patents.google.com/patent/US20200276079A1/en?q=percussive+massage+device&oq=percussive+massage+device&page=1>