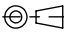
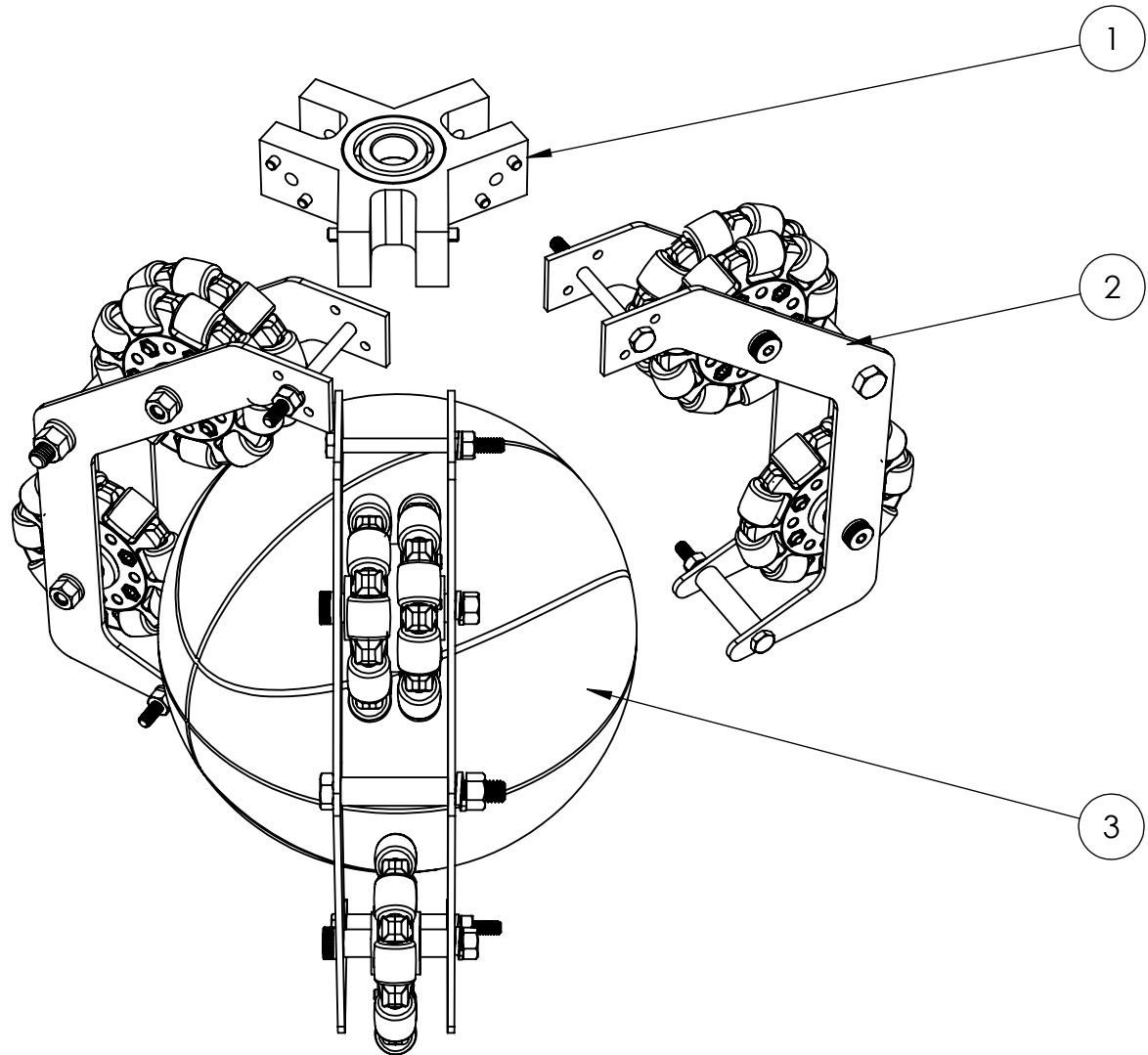
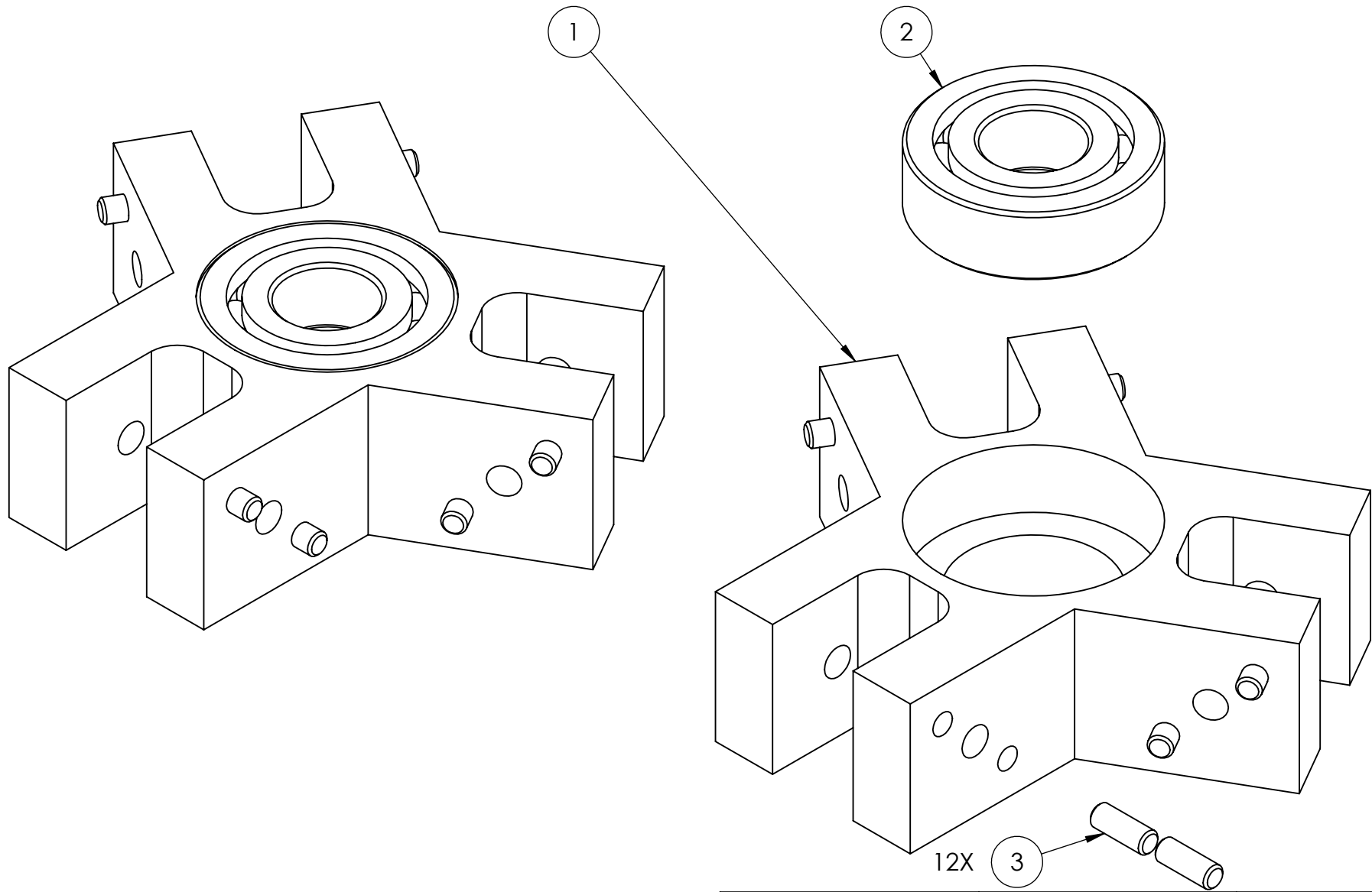


<p><b>PROPRIETARY AND CONFIDENTIAL</b>          THE INFORMATION CONTAINED IN THIS DRAWING IS THE SOLE PROPERTY OF UNIVERSITY OF IDAHO, ME DEPARTMENT. ANY REPRODUCTION IN PART OR AS A WHOLE WITHOUT THE WRITTEN PERMISSION OF UNIVERSITY OF IDAHO, ME DEPARTMENT IS PROHIBITED.</p>		<p>DIMENSIONS ARE IN INCHES          THIRD ANGLE PROJECTION </p>		<p><b>BAND-BEESTEN          OMNI-BALL</b></p>											
<p>DEFAULT TOLERANCES:</p> <table border="0"> <tr> <td>LINEAR:</td> <td>ANGULAR:</td> </tr> <tr> <td>X. ± .25</td> <td>X. ± 2</td> </tr> <tr> <td>X.X ± .1</td> <td>X.X ± 1</td> </tr> <tr> <td>X.XX ± .01</td> <td>X.XX ± 0.30</td> </tr> <tr> <td>X.XXX ± .002</td> <td></td> </tr> </table>		LINEAR:	ANGULAR:	X. ± .25	X. ± 2	X.X ± .1	X.X ± 1	X.XX ± .01	X.XX ± 0.30	X.XXX ± .002		<p>DESCRIPTION: Omni-ball Assembly</p>		<p><b>UNIVERSITY OF IDAHO          ME DEPARTMENT</b></p>	
LINEAR:	ANGULAR:														
X. ± .25	X. ± 2														
X.X ± .1	X.X ± 1														
X.XX ± .01	X.XX ± 0.30														
X.XXX ± .002															
<p>CHECKED BY: XXXXXXXXXX</p>		<p>DATE: XX/XX/XX</p>		<p>PART #: 00-00</p>											
<p>DRAWN BY: Hayden Hanzen</p>		<p>DATE: 11/19/2013</p>		<p>QTY: 5</p>											
<p>FILE NAME: OmniBall.SLDPRT</p>		<p>SCALE: 1:2</p>		<p>SHEET: 1 OF 8</p>											



ITEM NO.	PartNo	DESCRIPTION	QTY.
1	01-00	Hub Assembly	1
2	02-00	Arm Assembly	3
3	00-03	Women's Basketball	1

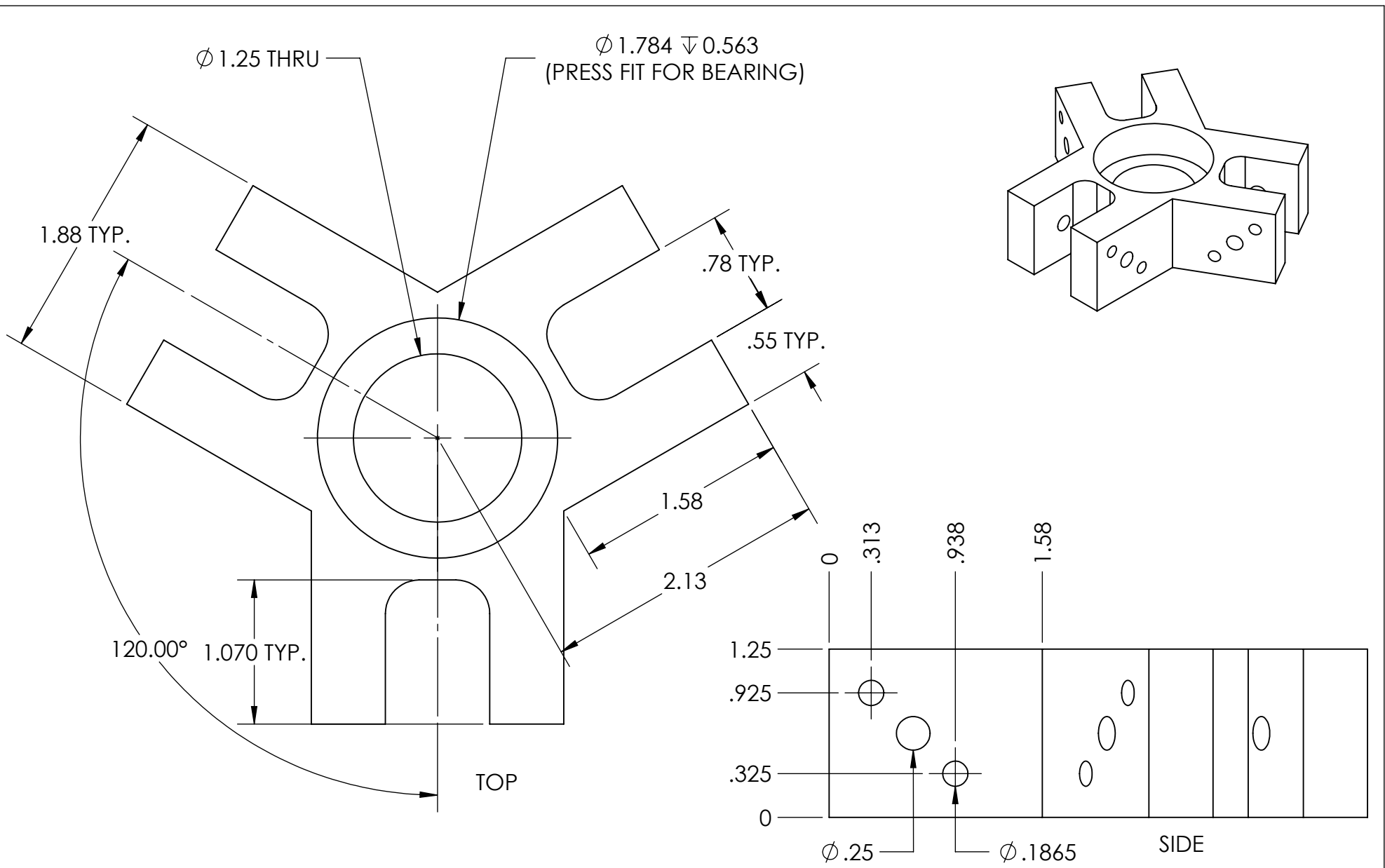
<b>PROPRIETARY AND CONFIDENTIAL</b> THE INFORMATION CONTAINED IN THIS DRAWING IS THE SOLE PROPERTY OF UNIVERSITY OF IDAHO, ME DEPARTMENT. ANY REPRODUCTION IN PART OR AS A WHOLE WITHOUT THE WRITTEN PERMISSION OF UNIVERSITY OF IDAHO, ME DEPARTMENT IS PROHIBITED.		DIMENSIONS ARE IN INCHES THIRD ANGLE PROJECTION		<b>BAND-BEESTEN OMNI-BALL</b>	
DEFAULT TOLERANCES:		MATERIAL:			
LINEAR: X. ± .25 X.X ± .1 X.XX ± .01 X.XXX ± .002	ANGULAR: X. ± 2 X.X ± 1 X.XX ± 0 30'	DESCRIPTION: Omni-Ball Assembly		<b>UNIVERSITY OF IDAHO ME DEPARTMENT</b>	
		CHECKED BY: XXXXXXXXXX	DATE: XX/XX/XX		
		DRAWN BY: Hayden Hanzen	DATE: 11/19/2013	PART #: 00-00	QTY: 5
		FILE NAME: OmniBall.SLDPRT	SCALE: 1:3	SHEET: 2 OF 8	



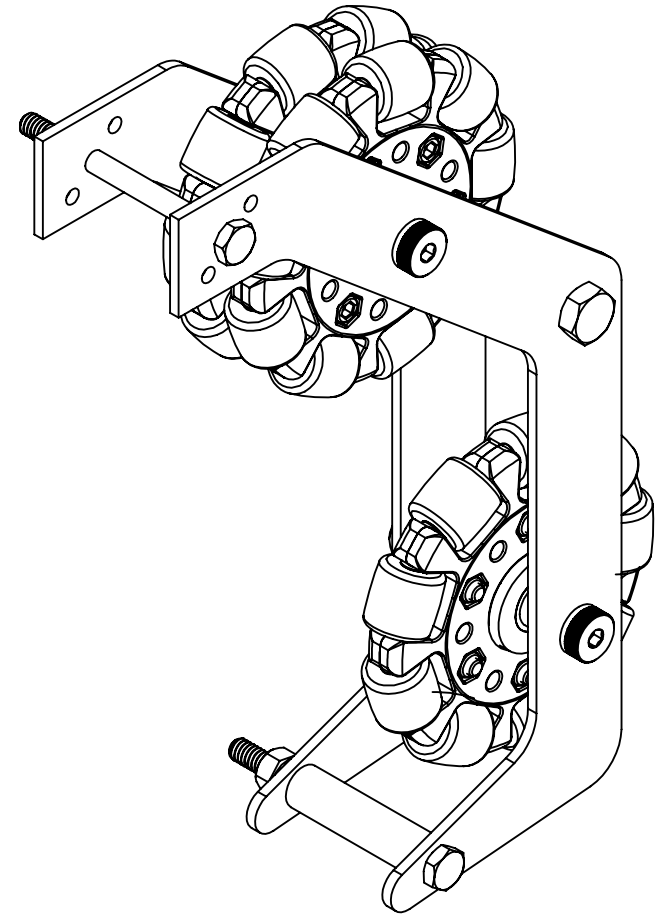
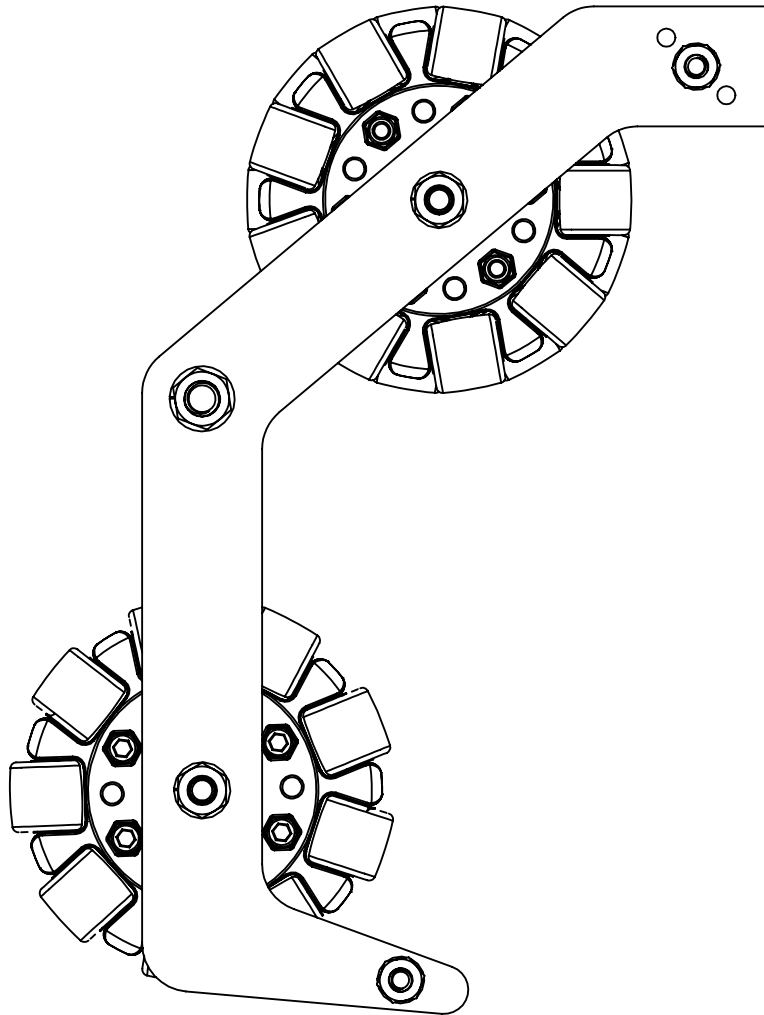
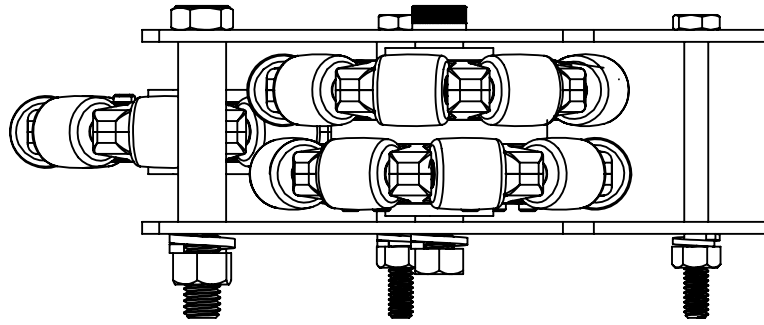
ITEM NO.	PartNo	DESCRIPTION	QTY.
1	01-01	Omni-ball Hub	1
2	01-02	3/4" ID- 1-3/4" OD Roller Bearing	1
3	01-03	3/16 x 1/2 Dowel Pin	12

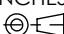
<b>PROPRIETARY AND CONFIDENTIAL</b> THE INFORMATION CONTAINED IN THIS DRAWING IS THE SOLE PROPERTY OF UNIVERSITY OF IDAHO, ME DEPARTMENT. ANY REPRODUCTION IN PART OR AS A WHOLE WITHOUT THE WRITTEN PERMISSION OF UNIVERSITY OF IDAHO, ME DEPARTMENT IS PROHIBITED.		DIMENSIONS ARE IN INCHES THIRD ANGLE PROJECTION	
MATERIAL: XXXXXXXXXXXX		DESCRIPTION: Hub Assembly	
DEFAULT TOLERANCES: LINEAR: X. ± .25 X.X ± .1 X.XX ± .01 X.XXX ± .002	ANGULAR: X. ± 2 X.X ± 1 X.XX ± 0.30°	CHECKED BY: XXXXXXXXXXXX	DATE: XX/XX/XX
DRAWN BY: Hayden Hanzen		DATE: 11/19/2013	
FILE NAME: HubAssembly.SLDPRT		SCALE: 1:1	

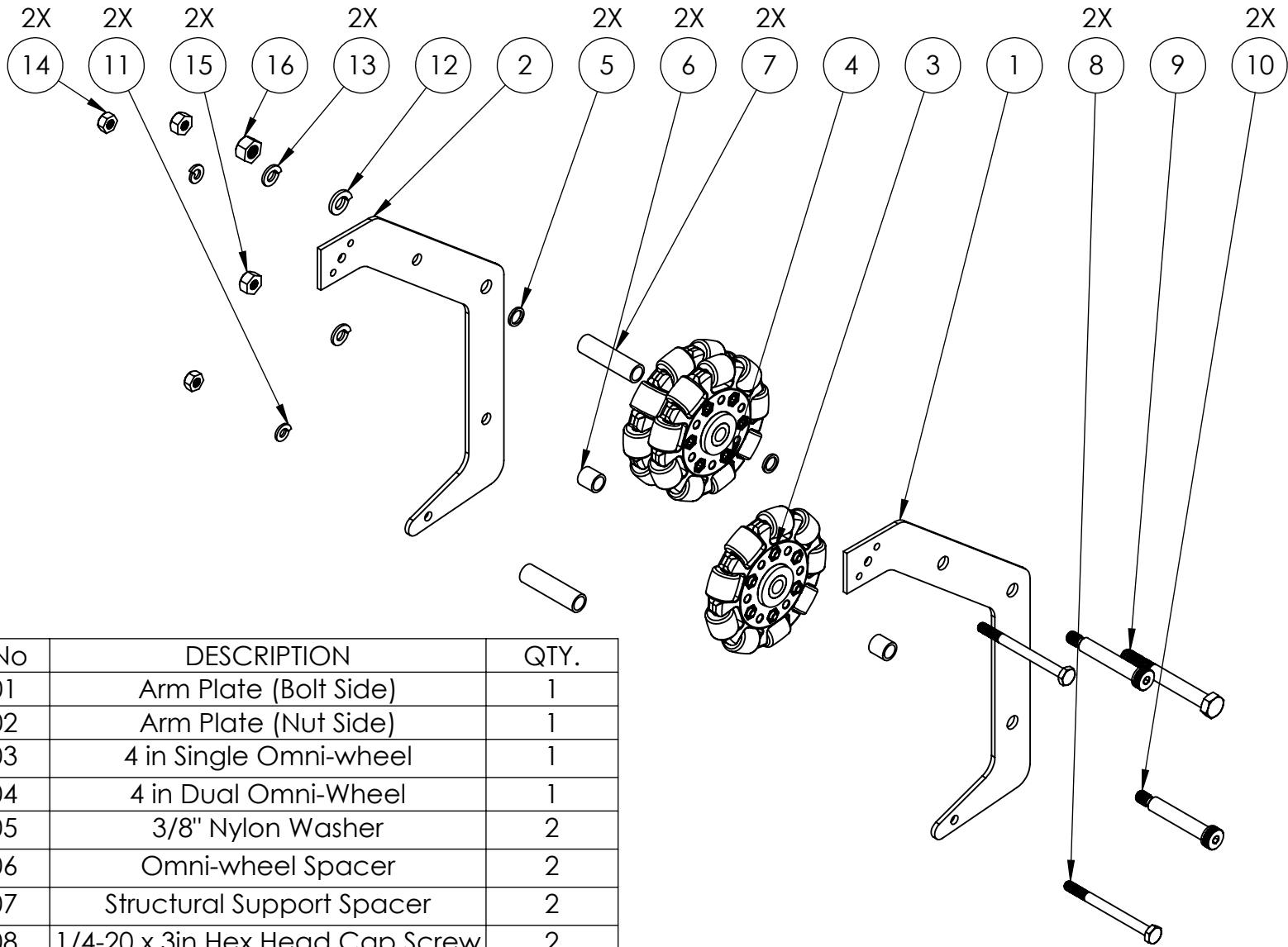
<b>BAND-BEESTEN OMNI-WHEEL</b>	
<b>UNIVERSITY OF IDAHO ME DEPARTMENT</b>	
PART #: 01-00	QTY: 5
SCALE: 1:1	SHEET: 3 OF 8



<b>PROPRIETARY AND CONFIDENTIAL</b> THE INFORMATION CONTAINED IN THIS DRAWING IS THE SOLE PROPERTY OF UNIVERSITY OF IDAHO, ME DEPARTMENT. ANY REPRODUCTION IN PART OR AS A WHOLE WITHOUT THE WRITTEN PERMISSION OF UNIVERSITY OF IDAHO, ME DEPARTMENT IS PROHIBITED.		DIMENSIONS ARE IN INCHES THIRD ANGLE PROJECTION		<b>BAND-BEESTEN OMNI-BALL</b>	
DEFAULT TOLERANCES:		MATERIAL: 6061-T6 Aluminum		UNIVERSITY OF IDAHO ME DEPARTMENT	
LINER: X. ± .25 X.X ± .1 X.XX ± .01 X.XXX ± .002	ANGULAR: X. ± 2 X.X ± 1 X.XX ± 0.30'	DESCRIPTION: Omni-ball Hub		PART #: 01-01	
		CHECKED BY: XXXXXXXXXX	DATE: XX/XX/XX	QTY: 5	
		DRAWN BY: Hayden Hanzen		DATE: 11/19/2013	SCALE: 1:1
		FILE NAME: Hub.SLDPRT		SHEET: 4 OF 8	



<p><b>PROPRIETARY AND CONFIDENTIAL</b>          THE INFORMATION CONTAINED IN THIS DRAWING IS THE SOLE PROPERTY OF UNIVERSITY OF IDAHO, ME DEPARTMENT. ANY REPRODUCTION IN PART OR AS A WHOLE WITHOUT THE WRITTEN PERMISSION OF UNIVERSITY OF IDAHO, ME DEPARTMENT IS PROHIBITED.</p>		<p>DIMENSIONS ARE IN INCHES          THIRD ANGLE PROJECTION </p>		<p><b>BAND-BEESTEN          OMNI-BALL</b></p>	
<p>DEFAULT TOLERANCES:</p>		<p>DESCRIPTION: Arm Assembly</p>		<p><b>UNIVERSITY OF IDAHO          ME DEPARTMENT</b></p>	
<p>LINEAR:          X. ± .25          X.X ± .1          X.XX ± .01          X.XXX ± .002</p>	<p>ANGULAR:          X. ± 2          X.X ± 1          X.XX ± 0 30'</p>	<p>CHECKED BY: XXXXXXXXXX</p>	<p>DATE: XX/XX/XX</p>	<p>PART #: 02-00</p>	<p>QTY: 15</p>
<p>FILE NAME: ArmAssembly.SLDPRT</p>		<p>DRAWN BY: Hayden Hanzen</p>	<p>DATE: 11/19/2013</p>	<p>SCALE: 1:3</p>	<p>SHEET: 5 OF 8</p>



ITEM NO.	PartNo	DESCRIPTION	QTY.
1	02-01	Arm Plate (Bolt Side)	1
2	02-02	Arm Plate (Nut Side)	1
3	02-03	4 in Single Omni-wheel	1
4	02-04	4 in Dual Omni-Wheel	1
5	02-05	3/8" Nylon Washer	2
6	02-06	Omni-wheel Spacer	2
7	02-07	Structural Support Spacer	2
8	02-08	1/4-20 x 3in Hex Head Cap Screw	2
9	02-09	3/8-16 x 3in Hex Head Cap Screw	1
10	02-10	3/8 x 2 Shoulder Screw	2
11	02-11	1/4 in Lock Washer	2
12	02-12	3/8 in Lock Washer	1
13	02-13	5/16 in Lock Washer	2
14	02-14	1/4-20 Hex Nut	2
15	02-15	5/16-18 Hex Nut	2
16	02-16	3/8-16 Hex Nut	1

**PROPRIETARY AND CONFIDENTIAL**  
 THE INFORMATION CONTAINED IN THIS DRAWING IS THE SOLE PROPERTY OF UNIVERSITY OF IDAHO, ME DEPARTMENT. ANY REPRODUCTION IN PART OR AS A WHOLE WITHOUT THE WRITTEN PERMISSION OF UNIVERSITY OF IDAHO, ME DEPARTMENT IS PROHIBITED.

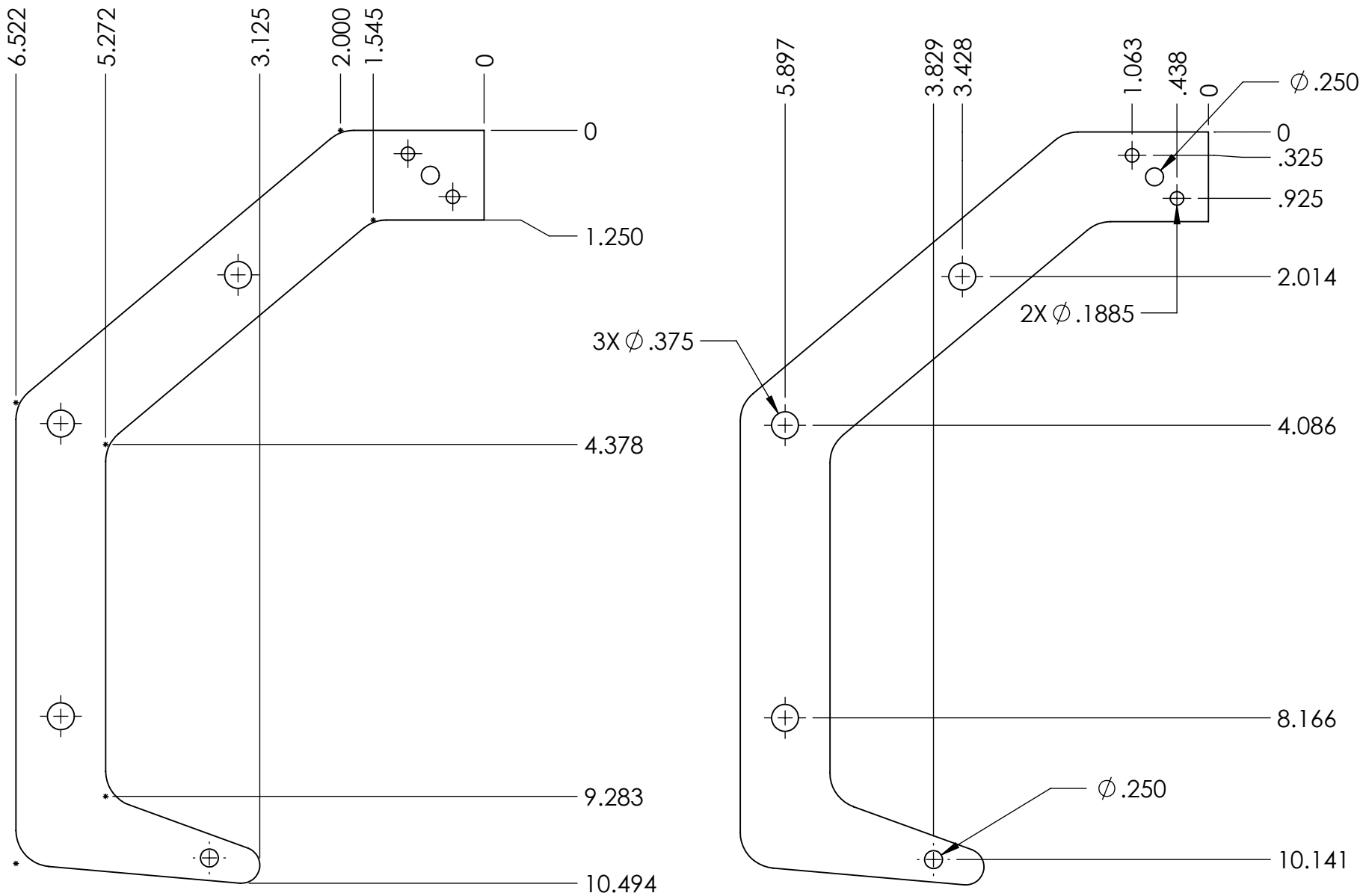
DIMENSIONS ARE IN INCHES  
 THIRD ANGLE PROJECTION   
 MATERIAL: XXXXXXXXXXXX

**BAND-BEESTEN  
 OMNI-BALL**

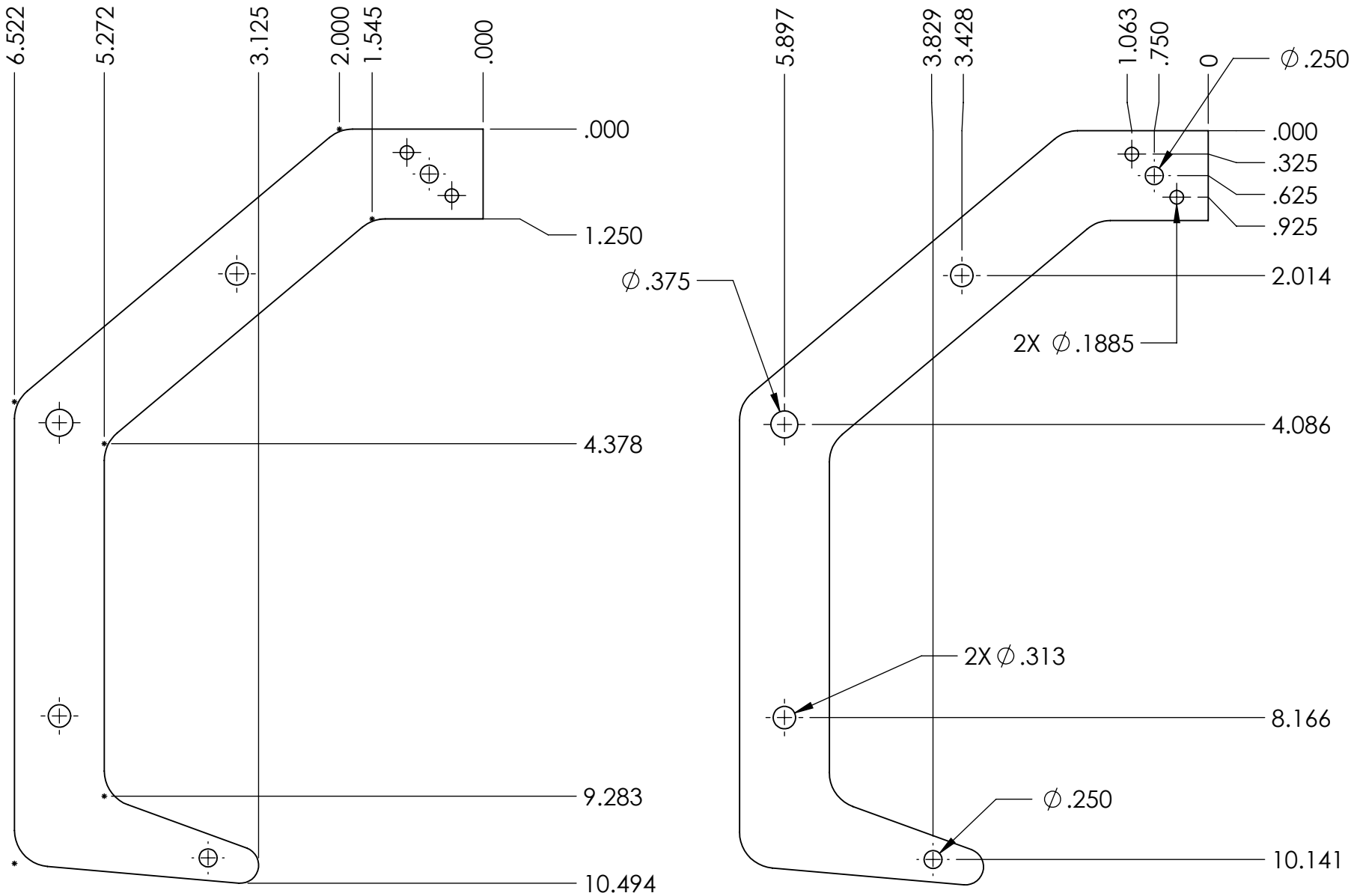
DEFAULT TOLERANCES:  
 LINEAR: X. ± .25  
 X.X ± .1  
 X.XX ± .01  
 X.XXX ± .002  
 ANGULAR: X. ± 2  
 X.X ± 1  
 X.XX ± 0.30'

DESCRIPTION: Arm Assembly  
 CHECKED BY: XXXXXXXXXXXX DATE: XX/XX/XX  
 DRAWN BY: Hayden Hanzen DATE: 11/19/2013  
 FILE NAME: ArmAssembly.SLDPRT

**UNIVERSITY OF IDAHO  
 ME DEPARTMENT**  
 PART #: 02-00 QTY: 15  
 SCALE: 1:4 SHEET: 6 OF 8



<b>PROPRIETARY AND CONFIDENTIAL</b> THE INFORMATION CONTAINED IN THIS DRAWING IS THE SOLE PROPERTY OF UNIVERSITY OF IDAHO, ME DEPARTMENT. ANY REPRODUCTION IN PART OR AS A WHOLE WITHOUT THE WRITTEN PERMISSION OF UNIVERSITY OF IDAHO, ME DEPARTMENT IS PROHIBITED.		DIMENSIONS ARE IN INCHES THIRD ANGLE PROJECTION		<b>BAND BEESTEN OMNIBALL</b>	
DEFAULT TOLERANCES:		DESCRIPTION: Arm Plate (Bolt Side)		MATERIAL: 1/8" 6061-T6 Plate	
LINER: X. ±.25 X.X ±.1 X.XX ±.01 X.XXX ±.002	ANGULAR: X. ± 2 X.X ± 1 X.XX ± 0.30'	CHECKED BY: XXXXXXXXXX	DATE: XX/XX/XX	<b>UNIVERSITY OF IDAHO ME DEPARTMENT</b>	
		DRAWN BY: Hayden Hanzen	DATE: 11/19/2013	PART #: 02-01	QTY: 30
		FILE NAME: Plate.SLDPRT	SCALE: 1:2	SHEET: 7 OF 8	



<b>PROPRIETARY AND CONFIDENTIAL</b> THE INFORMATION CONTAINED IN THIS DRAWING IS THE SOLE PROPERTY OF UNIVERSITY OF IDAHO, ME DEPARTMENT. ANY REPRODUCTION IN PART OR AS A WHOLE WITHOUT THE WRITTEN PERMISSION OF UNIVERSITY OF IDAHO, ME DEPARTMENT IS PROHIBITED.		DIMENSIONS ARE IN INCHES THIRD ANGLE PROJECTION		<b>BAND BEESTEN OMNIBALL</b>	
DEFAULT TOLERANCES:		MATERIAL: 1/8" 6061-T6 Plate		UNIVERSITY OF IDAHO ME DEPARTMENT	
LINER: X. ± .25 X.X ± .1 X.XX ± .01 X.XXX ± .002	ANGULAR: X. ± 2 X.X ± 1 X.XX ± 0 30'	DESCRIPTION: Arm Plate (Nut Side)	CHECKED BY: XXXXXXXXXX	DATE: XX/XX/XX	PART #: 02-02
		DRAWN BY: Hayden Hanzen	DATE: 11/19/2013	SCALE: 1:2	QTY: 15
		FILE NAME: Plate.SLDPRT			SHEET: 8 OF 8